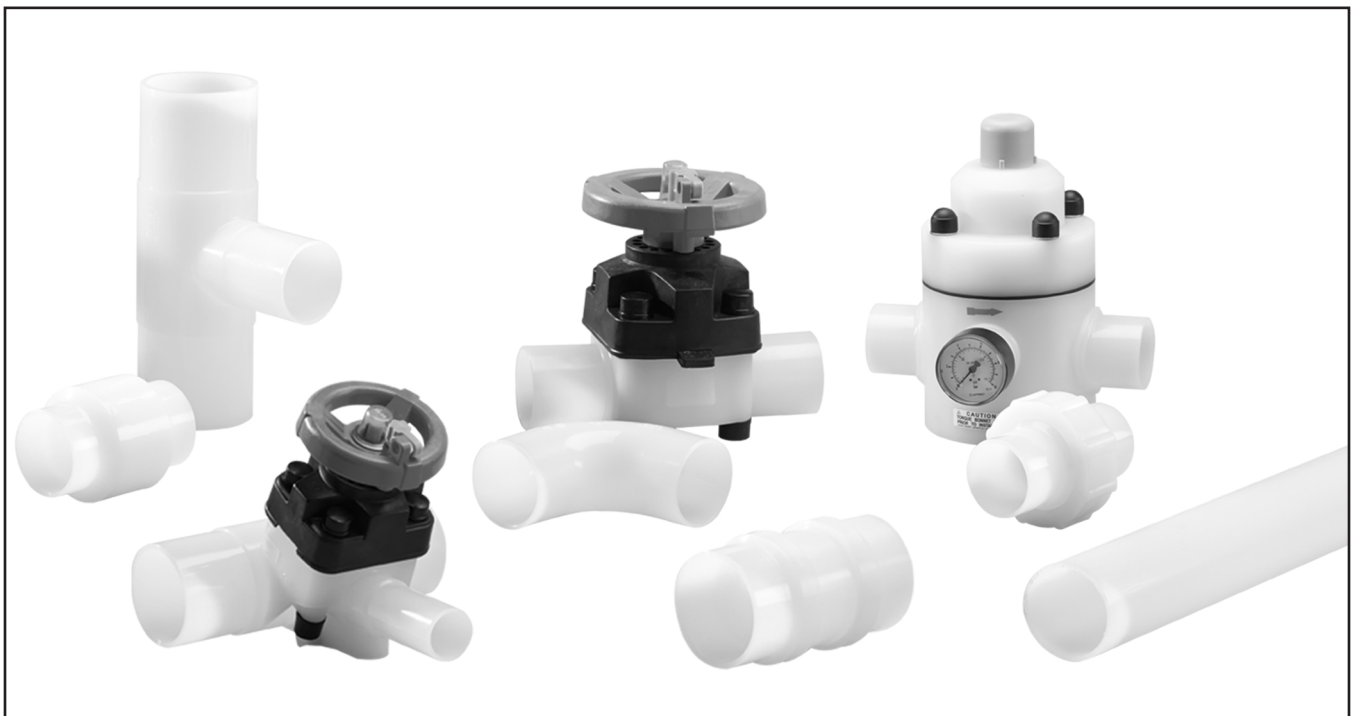
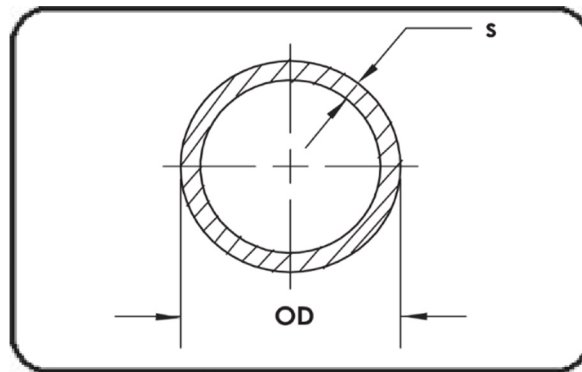




# Purad<sup>®</sup> High Purity Piping System Dimensional Guide



**Rev. 12/2024**

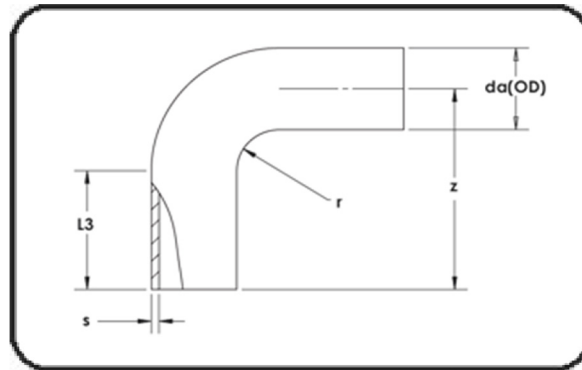


**PIPE**

Size		Dimensions				Part Number
mm	inch	SDR / PN / MOP (psi)	OD (in)	s (in)	Weight (lbs/ft)	
20	1/2	21 / 16 / 230	0.79	0.075	0.14	5401005
25	3/4	21 / 16 / 230	0.98	0.075	0.18	5401007
32	1	21 / 16 / 230	1.26	0.094	0.30	5401010
40	1-1/4	21 / 16 / 230	1.57	0.094	0.37	5401012
50	1-1/2	21 / 16 / 230	1.97	0.118	0.57	5401015
63	2	21 / 16 / 230	2.48	0.118	0.73	5401020
75	2-1/2	21 / 16 / 230	2.95	0.142	1.0	5401025
90	3	21 / 16 / 230	3.54	0.169	1.5	5403030
110	4	21 / 16 / 230	4.33	0.209	2.2	5403040
125	4-1/2	21 / 16 / 230	4.92	0.236	2.8	5403045
140	5	21 / 16 / 230	5.51	0.264	3.6	5403050
160	6	21 / 16 / 230	6.30	0.303	4.7	5403060
180	7	21 / 16 / 230	7.09	0.339	5.9	5403070
200	8	21 / 16 / 230	7.87	0.378	7.2	5403080
225	9	21 / 16 / 230	8.86	0.425	9.2	5403090
250	10	21 / 16 / 230	9.84	0.469	11.2	5403100
280	11	21 / 16 / 230	11.02	0.528	14.2	5403110
315	12	21 / 16 / 230	12.40	0.591	17.8	5403120
90	3	33 / 10 / 150	3.54	0.110	1.0	5401030
110	4	33 / 10 / 150	4.33	0.134	1.5	5401040
125	4-1/2	33 / 10 / 150	4.92	0.154	1.9	5401045
140	5	33 / 10 / 150	5.51	0.169	2.4	5401050
160	6	33 / 10 / 150	6.30	0.193	3.1	5401060
180	7	33 / 10 / 150	7.09	0.217	3.9	5401070
200	8	33 / 10 / 150	7.87	0.244	4.8	5401080
225	9	33 / 10 / 150	8.86	0.272	6.0	5401090
250	10	33 / 10 / 150	9.84	0.303	7.5	5401100
280	11	33 / 10 / 150	11.02	0.339	9.3	5401110
315	12	33 / 10 / 150	12.40	0.382	11.8	5401120

Sold in 5m (16.4") lengths only.  
 Diameter is metric, inch size provided as nominal only.  
 Sizes 20-32mm multi-bagged.

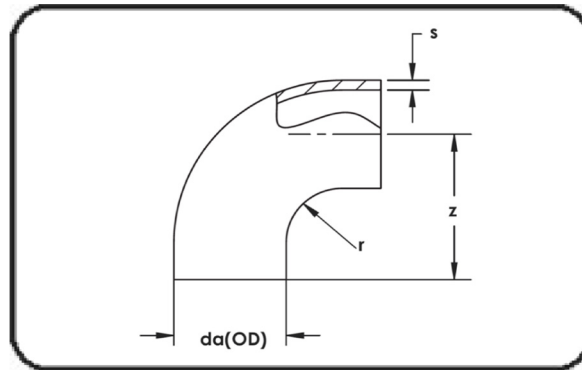
**The most current up-to-date drawings and CAD models can be found at <https://cad.asahi-america.com/>**



**EXTENDED LEG 90 DEGREE ELBOW**

Size		Dimensions							Part Number
mm	inch	SDR / PN / MOP (psi)	OD (in)	s (in)	z (in)	r (in)	L3 (in)	Weight (lbs)	
20	1/2	21 / 16 / 230	0.79	0.075	2.01	0.79	1.26	0.05	5402005
25	3/4	21 / 16 / 230	0.98	0.075	2.20	0.98	1.30	0.06	5402007
32	1	21 / 16 / 230	1.26	0.094	2.48	1.26	1.30	0.11	5402010
40	1-1/4	21 / 16 / 230	1.57	0.094	2.87	1.57	1.42	0.16	5402012
50	1-1/2	21 / 16 / 230	1.97	0.118	3.31	1.97	1.42	0.27	5402015
63	2	21 / 16 / 230	2.48	0.118	3.82	2.48	1.50	0.44	5402020
75	2-1/2	21 / 16 / 230	2.95	0.142	3.94	2.95	1.10	0.67	5402025
90	3	21 / 16 / 230	3.54	0.169	4.84	3.54	1.34	1.2	5402030
110	4	21 / 16 / 230	4.33	0.209	5.59	4.33	1.34	2.0	5402040
140	5	21 / 16 / 230	5.51	0.264	8.50	5.51	2.95	4.4	5402050
160	6	21 / 16 / 230	6.30	0.303	9.29	6.30	2.95	6.3	5402060
225	9	21 / 16 / 230	8.86	0.425	11.85	8.86	2.95	16.1	5402090
90	3	33 / 10 / 150	3.54	0.110	4.84	3.54	1.34	0.87	5429030
110	4	33 / 10 / 150	4.33	0.134	5.59	4.33	1.34	1.5	5429040
140	5	33 / 10 / 150	5.51	0.169	8.50	5.51	2.95	3.3	5429050
160	6	33 / 10 / 150	6.30	0.193	9.29	6.30	2.95	4.3	5429060
225	9	33 / 10 / 150	8.86	0.272	11.85	8.86	2.95	11.2	5429090

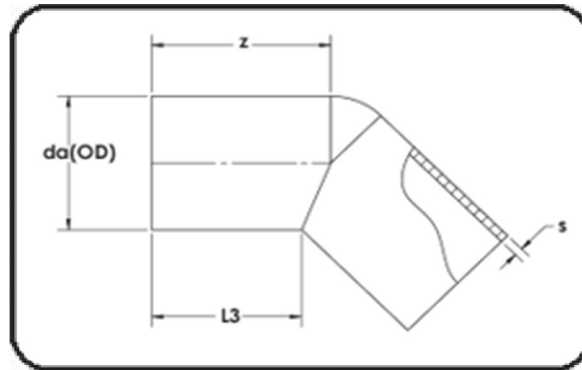
*The most current up-to-date drawings and CAD models can be found at <https://cad.asahi-america.com/>*



**90 DEGREE ELBOW**

Size		Dimensions						Part Number
mm	inch	SDR / PN / MOP (psi)	OD (in)	s (in)	z (in)	r (in)	Weight (lbs)	
160	6	21 / 16 / 230	6.30	0.303	7.13	6.19	4.6	5410060
200	8	21 / 16 / 230	7.87	0.378	8.54	7.72	8.4	5410080
250	10	21 / 16 / 230	9.84	0.469	11.30	9.84	17.4	5410100
280	11	21 / 16 / 230	11.02	0.528	11.34	11.02	22.3	5410110
315	12	21 / 16 / 230	12.40	0.591	13.31	11.81	32.0	5410120
180	7	33 / 10 / 150	7.09	0.217	7.87	6.89	4.2	5407070
200	8	33 / 10 / 150	7.87	0.244	8.54	7.72	6.0	5407080
250	10	33 / 10 / 150	9.84	0.303	11.30	9.84	11.8	5407100
280	11	33 / 10 / 150	11.02	0.339	11.34	11.02	15.0	5407110
315	12	33 / 10 / 150	12.40	0.382	13.31	11.81	21.6	5407120

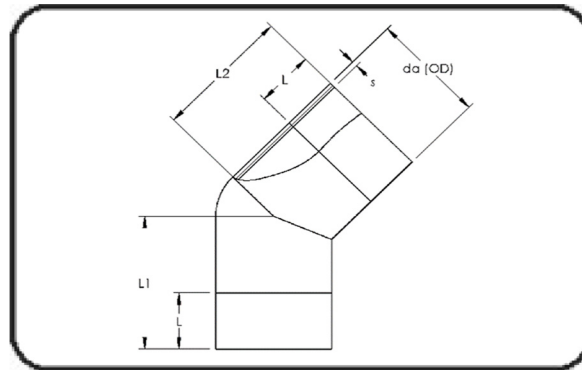
*The most current up-to-date drawings and CAD models can be found at <https://cad.asahi-america.com/>*



**45 DEGREE ELBOW**

Size		Dimensions						Part Number
mm	inch	SDR / PN / MOP (psi)	OD (in)	s (in)	z (in)	L3 (in)	Weight (lbs)	
20	1/2	21 / 16 / 230	0.79	0.075	1.69	1.54	0.04	5414005
25	3/4	21 / 16 / 230	0.98	0.075	1.77	1.57	0.06	5414007
32	1	21 / 16 / 230	1.26	0.094	2.05	1.81	0.11	5414010
40	1-1/4	21 / 16 / 230	1.57	0.094	2.28	1.97	0.15	5414012
50	1-1/2	21 / 16 / 230	1.97	0.118	2.60	2.20	0.26	5414015
63	2	21 / 16 / 230	2.48	0.118	2.95	2.44	0.39	5414020
75	2-1/2	21 / 16 / 230	2.95	0.142	1.97	1.26	0.33	5414025
90	3	21 / 16 / 230	3.54	0.169	2.32	1.42	0.53	5416030
110	4	21 / 16 / 230	4.33	0.209	2.68	1.77	1.0	5416040
140	5	21 / 16 / 230	5.51	0.264	3.35	2.24	2.1	5416050
160	6	21 / 16 / 230	6.30	0.303	4.06	2.56	3.1	5416060
90	3	33 / 10 / 150	3.54	0.110	2.32	1.42	0.38	5414030
110	4	33 / 10 / 150	4.33	0.134	2.68	1.77	0.68	5414040
140	5	33 / 10 / 150	5.51	0.169	3.35	2.24	1.4	5414050
160	6	33 / 10 / 150	6.30	0.193	4.06	2.56	2.1	5414060

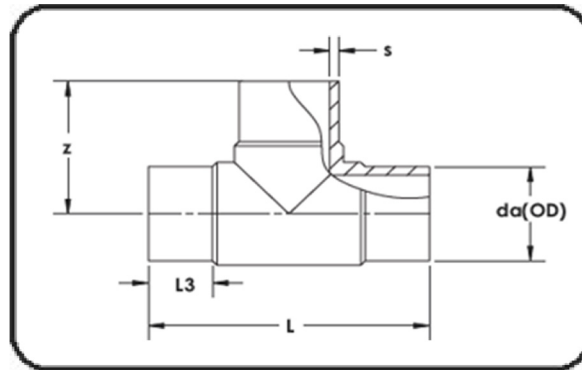
*The most current up-to-date drawings and CAD models can be found at <https://cad.asahi-america.com/>*



**45 DEGREE ELBOW - FABRICATED**

Size		Dimensions							Part Number
mm	inch	SDR / PN / MOP (psi)	OD (in)	s (in)	L2 (in)	L (in)	L1 (in)	Weight (lbs)	
200	8	21 / 16 / 230	7.87	0.378	7.13	3.94	7.95	8.9	5416080
225	9	21 / 16 / 230	8.86	0.425	7.60	3.94	8.31	11.7	5416090
250	10	21 / 16 / 230	9.84	0.469	8.03	3.94	9.49	16.0	5416100
280	11	21 / 16 / 230	11.02	0.528	8.50	3.94	8.82	20.4	5416110
315	12	21 / 16 / 230	12.40	0.591	8.82	3.94	10.31	27.8	5416120
200	8	33 / 10 / 150	7.87	0.244	7.13	3.94	7.95	6.2	5414080
225	9	33 / 10 / 150	8.86	0.272	7.60	3.94	8.31	8.3	5414090
250	10	33 / 10 / 150	9.84	0.303	8.03	3.94	9.49	11.2	5414100
280	11	33 / 10 / 150	11.02	0.339	8.50	3.94	8.82	14.3	5414110
315	12	33 / 10 / 150	12.40	0.382	8.82	3.94	10.31	19.5	5414120

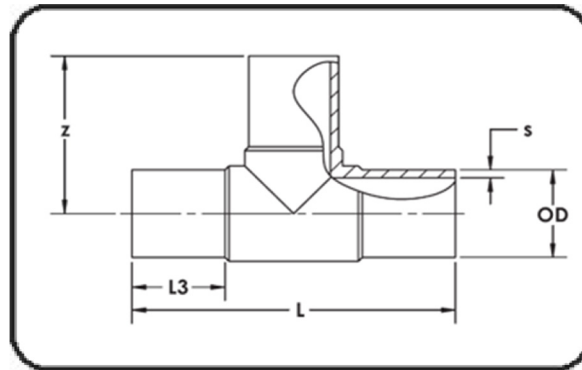
*The most current up-to-date drawings and CAD models can be found at <https://cad.asahi-america.com/>*



TEE

Size		Dimensions							Part Number
mm	inch	SDR / PN / MOP (psi)	OD (in)	s (in)	z (in)	L (in)	L3 (in)	Weight (lbs)	
20	1/2	21 / 16 / 230	0.79	0.075	1.50	2.95	0.98	0.05	5418005
25	3/4	21 / 16 / 230	0.98	0.075	1.65	3.31	0.98	0.08	5418007
32	1	21 / 16 / 230	1.26	0.094	1.81	3.54	0.98	0.13	5418010
40	1-1/4	21 / 16 / 230	1.57	0.094	2.28	4.57	1.22	0.21	5418012
50	1-1/2	21 / 16 / 230	1.97	0.118	2.52	4.96	1.22	0.32	5418015
63	2	21 / 16 / 230	2.48	0.118	2.76	5.51	1.22	0.51	5418020
75	2-1/2	21 / 16 / 230	2.95	0.142	3.50	7.01	1.65	0.84	5418025
90	3	21 / 16 / 230	3.54	0.169	3.62	7.28	1.32	1.3	5421030
110	4	21 / 16 / 230	4.33	0.209	4.33	8.70	1.32	2.5	5421040
125	4-1/2	21 / 16 / 230	4.92	0.236	5.47	10.98	2.05	3.5	5421045
140	5	21 / 16 / 230	5.51	0.264	6.06	12.13	2.36	5.0	5421050
160	6	21 / 16 / 230	6.30	0.303	5.51	10.98	1.77	5.9	5421060
180	7	21 / 16 / 230	7.09	0.339	7.87	15.75	3.15	10.7	5421070
200	8	21 / 16 / 230	7.87	0.378	8.78	17.56	3.50	15.5	5421080
225	9	21 / 16 / 230	8.86	0.425	9.69	19.53	3.90	20.3	5421090
250	10	21 / 16 / 230	9.84	0.469	9.84	19.53	3.15	25.1	5421100
280	11	21 / 16 / 230	11.02	0.528	9.76	19.49	2.76	30.2	5421110
315	12	21 / 16 / 230	12.40	0.591	9.72	19.53	2.24	37.6	5421120
90	3	33 / 10 / 150	3.54	0.110	3.62	7.28	1.32	1.0	5418030
110	4	33 / 10 / 150	4.33	0.134	4.33	8.70	1.32	1.9	5418040
125	4-1/2	33 / 10 / 150	4.92	0.154	5.47	10.98	2.05	2.7	5418045
140	5	33 / 10 / 150	5.51	0.169	6.06	12.13	2.36	3.9	5418050
160	6	33 / 10 / 150	6.30	0.193	5.51	10.98	1.77	4.2	5418060
180	7	33 / 10 / 150	7.09	0.217	7.87	15.75	3.15	7.5	5418070
200	8	33 / 10 / 150	7.87	0.244	8.78	17.56	3.50	12.3	5418080
225	9	33 / 10 / 150	8.86	0.272	9.69	19.53	3.90	15.3	5418090
250	10	33 / 10 / 150	9.84	0.303	9.84	19.53	3.15	18.5	5418100
280	11	33 / 10 / 150	11.02	0.339	9.76	19.49	2.76	22.0	5418110
315	12	33 / 10 / 150	12.40	0.382	9.72	19.53	2.24	27.2	5418120

The most current up-to-date drawings and CAD models can be found at <https://cad.asahi-america.com/>



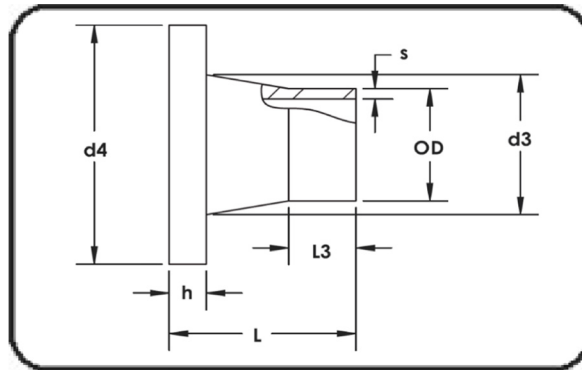
**EXTENDED LEG TEE**

Size		Dimensions							Part Number
mm	inch	SDR / PN / MOP (psi)	OD (in)	s (in)	z (in)	L (in)	L3 (in)	Weight (lbs)	
20	1/2	21 / 16 / 230	0.79	0.075	2.17	4.29	1.42	0.09	5419005
25	3/4	21 / 16 / 230	0.98	0.075	2.32	4.61	1.57	0.13	5419007
32	1	21 / 16 / 230	1.26	0.094	2.83	5.63	1.77	0.23	5419010

Recommended for beadless fusion.

*The most current up-to-date drawings and CAD models can be found at <https://cad.asahi-america.com/>*



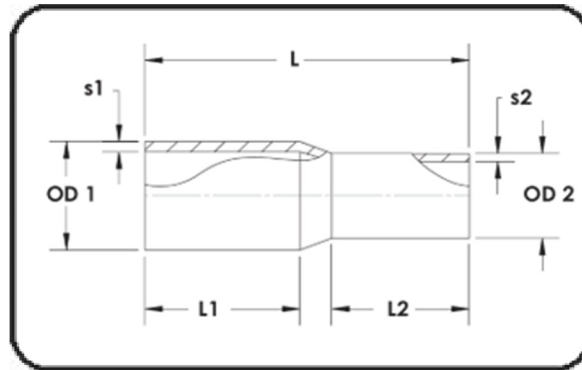


**STUB END\* (FLANGE ADAPTER)**

Size		Dimensions									Part Number
mm	inch	SDR / PN / MOP (psi)	OD (in)	s (in)	L (in)	L3 (in)	d3 (in)	d4 (in)	h (in)	Weight (lbs)	
20	1/2	21 / 16 / 230	0.79	0.075	1.93	1.22	1.06	1.75	0.24	0.06	5430005
25	3/4	21 / 16 / 230	0.98	0.075	1.97	1.18	1.30	2.13	0.26	0.09	5430007
32	1	21 / 16 / 230	1.26	0.094	1.97	1.02	1.57	2.50	0.28	0.13	5430010
40	1-1/4	21 / 16 / 230	1.57	0.094	1.97	0.94	1.97	2.81	0.31	0.19	5430012
50	1-1/2	21 / 16 / 230	1.97	0.118	1.97	0.87	2.40	3.25	0.35	0.26	5430015
63	2	21 / 16 / 230	2.48	0.118	1.97	0.77	2.99	3.95	0.39	0.38	5430020
75	2-1/2	21 / 16 / 230	2.95	0.142	1.97	0.79	3.50	4.61	0.39	0.45	5430025
90	3	21 / 16 / 230	3.54	0.169	3.15	1.65	4.13	5.21	0.43	0.87	5470030
110	4	21 / 16 / 230	4.33	0.209	3.15	1.57	4.92	6.22	0.47	1.2	5470040
125	4-1/2	21 / 16 / 230	4.92	0.236	3.15	1.65	5.20	6.22	0.71	1.5	5470045
160	6	21 / 16 / 230	6.30	0.303	3.19	1.44	6.89	8.35	0.63	2.4	5470060
200	8	21 / 16 / 230	7.87	0.378	3.86	1.69	9.13	10.55	0.79	5.0	5470080
225	9	21 / 16 / 230	8.86	0.425	3.94	2.99	9.25	10.55	0.79	4.2	5470090
250	10	21 / 16 / 230	9.84	0.469	3.94	1.38	11.22	12.60	0.98	8.2	5470100
280	11	21 / 16 / 230	11.02	0.528	3.94	2.83	11.34	12.60	0.98	6.6	5470110
315	12	21 / 16 / 230	12.40	0.591	4.02	1.61	13.19	14.57	0.98	9.8	5470120
90	3	33 / 10 / 150	3.54	0.110	3.15	1.65	4.13	5.21	0.43	0.72	5430030
110	4	33 / 10 / 150	4.33	0.134	3.15	1.65	4.92	6.22	0.47	1.0	5430040
125	4-1/2	33 / 10 / 150	4.92	0.154	3.15	1.30	5.20	6.22	0.71	1.1	5430045
160	6	33 / 10 / 150	6.30	0.193	3.19	1.46	6.89	8.35	0.63	2.1	5430060
200	8	33 / 10 / 150	7.87	0.244	3.94	1.65	9.13	10.55	0.71	4.2	5430080
225	9	33 / 10 / 150	8.86	0.272	3.94	2.99	9.25	10.55	0.71	3.2	5430090
250	10	33 / 10 / 150	9.84	0.303	3.94	1.57	11.22	12.60	0.79	6.1	5430100
280	11	33 / 10 / 150	11.02	0.339	3.94	1.97	11.34	12.60	0.79	4.7	5430110
315	12	33 / 10 / 150	12.40	0.382	3.94	1.73	13.19	14.57	0.79	6.9	5430120

\* Requires backing ring.  
 9" stub end uses 8" backing ring.  
 11" stub end uses 10" backing ring.

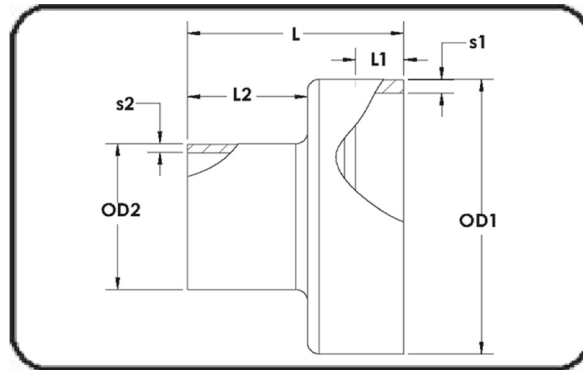
*The most current up-to-date drawings and CAD models can be found at <https://cad.asahi-america.com/>*



**EXTENDED LEG CONCENTRIC REDUCER**

Size		SDR / PN / MOP (psi)	Dimensions								Weight (lbs)	Part Number
mm	inch		OD1 (in)	OD2 (in)	s1 (in)	L (in)	L1 (in)	L2 (in)	s2 (in)			
25 x 20	3/4 x 1/2	21 / 16 / 230	0.98	0.79	0.075	1.97	0.79	0.79	0.075	0.03	5424101	
32 x 20	1 x 1/2	21 / 16 / 230	1.26	0.79	0.094	1.97	0.73	0.75	0.075	0.04	5424130	
32 x 25	1 x 3/4	21 / 16 / 230	1.26	0.98	0.094	1.97	0.79	0.79	0.075	0.05	5424131	
40 x 20	1-1/4 x 1/2	21 / 16 / 230	1.57	0.79	0.094	2.17	0.79	0.79	0.075	0.05	5424166	
40 x 25	1-1/4 x 3/4	21 / 16 / 230	1.57	0.98	0.094	2.17	0.79	0.79	0.075	0.05	5424167	
40 x 32	1-1/4 x 1	21 / 16 / 230	1.57	1.26	0.094	2.17	0.79	0.79	0.094	0.06	5424168	
50 x 20	1-1/2 x 1/2	21 / 16 / 230	1.97	0.79	0.118	2.36	0.91	0.79	0.075	0.08	5424205	
50 x 25	1-1/2 x 3/4	21 / 16 / 230	1.97	0.98	0.118	2.36	0.94	0.79	0.075	0.08	5424210	
50 x 32	1-1/2 x 1	21 / 16 / 230	1.97	1.26	0.118	2.36	0.98	0.79	0.094	0.09	5424211	
50 x 40	1-1/2 x 1-1/4	21 / 16 / 230	1.97	1.57	0.118	2.36	0.98	0.87	0.094	0.11	5424212	
63 x 25	2 x 3/4	21 / 16 / 230	2.48	0.98	0.118	2.95	0.98	0.79	0.075	0.13	5424248	
63 x 32	2 x 1	21 / 16 / 230	2.48	1.26	0.118	2.56	0.98	0.71	0.094	0.13	5424249	
63 x 40	2 x 1-1/4	21 / 16 / 230	2.48	1.57	0.118	2.56	1.02	0.87	0.094	0.13	5424250	
63 x 50	2 x 1-1/2	21 / 16 / 230	2.48	1.97	0.118	2.56	0.98	0.94	0.118	0.15	5424251	
75 x 50	2-1/2 x 1-1/2	21 / 16 / 230	2.95	1.97	0.142	3.15	1.34	0.83	0.118	0.23	5424291	
75 x 63	2-1/2 x 2	21 / 16 / 230	2.95	2.48	0.142	3.15	1.34	0.83	0.118	0.24	5424292	
90 x 50	3 x 1-1/2	21 / 16 / 230	3.54	1.97	0.169	3.15	1.34	0.83	0.118	0.32	5424337	
90 x 63	3 x 2	21 / 16 / 230	3.54	2.48	0.169	3.15	1.34	0.83	0.118	0.33	5424338	
90 x 75	3 x 2-1/2	21 / 16 / 230	3.54	2.95	0.169	3.15	1.34	1.34	0.142	0.34	5424339	
110 x 63	4 x 2	21 / 16 / 230	4.33	2.48	0.209	4.06	1.18	1.30	0.118	0.53	5424420	
110 x 90	4 x 3	21 / 16 / 230	4.33	3.54	0.209	3.54	1.18	1.38	0.169	0.56	5424422	
160 x 110	6 x 4	21 / 16 / 230	6.30	4.33	0.303	9.06	3.74	3.50	0.209	2.7	5424532	
225 x 160	9 x 6	21 / 16 / 230	8.86	6.30	0.425	6.30	1.26	1.38	0.303	3.7	5424606	
250 x 160	10 x 6	21 / 16 / 230	9.84	6.30	0.469	7.05	1.42	1.42	0.303	4.9	5424627	
250 x 225	10 x 9	21 / 16 / 230	9.84	8.86	0.469	7.09	1.69	1.10	0.425	6.0	5424629	
110 x 90	4 x 3	33 / 10 / 150	4.33	3.54	0.134	3.54	1.18	1.38	0.110	0.43	5497422	
160 x 110	6 x 4	33 / 10 / 150	6.30	4.33	0.193	9.06	3.74	3.50	0.134	2.0	5497532	
225 x 160	9 x 6	33 / 10 / 150	8.86	6.30	0.272	6.30	1.26	1.38	0.193	2.6	5497606	
250 x 160	10 x 6	33 / 10 / 150	9.84	6.30	0.303	7.05	1.42	1.42	0.193	3.8	5497627	
250 x 225	10 x 9	33 / 10 / 150	9.84	8.86	0.303	7.09	1.69	1.10	0.272	4.1	5497629	
315 x 160	12 x 6	33 / 10 / 150	12.40	6.30	0.382	7.09	1.65	1.46	0.193	5.0	5497659	
315 x 250	12 x 10	33 / 10 / 150	12.40	9.84	0.382	7.09	1.65	1.46	0.303	5.7	5497630	
90 x 63	3 x 2	33 x 21 / 10 / 150	3.54	2.48	0.110	3.15	1.34	0.83	0.118	0.27	5495338	
110 x 63	4 x 2	33 x 21 / 10 / 150	4.33	2.48	0.134	4.06	1.18	1.30	0.118	0.39	5494420	
160 x 110	6 x 4	33 x 21 / 10 / 150	6.30	4.33	0.193	9.06	3.74	3.50	0.209	2.7	5494532	
225 x 110	9 x 4	33 x 21 / 10 / 150	8.86	4.33	0.272	6.30	1.18	0.79	0.209	2.6	5494607	

The most current up-to-date drawings and CAD models can be found at <https://cad.asahi-america.com/>

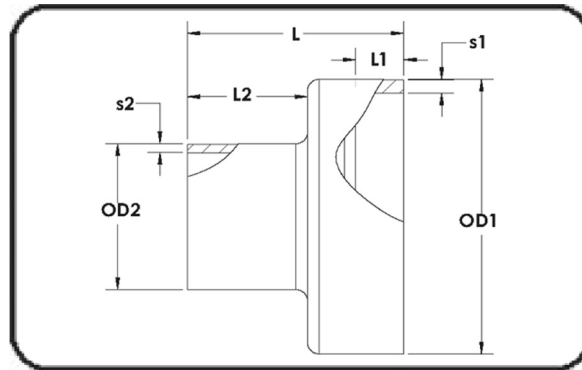


**MACHINED CONCENTRIC REDUCER**

Size		Dimensions									Part Number
mm	inch	SDR / PN / MOP (psi)	L (in)	L2 (in)	L1 (in)	s1 (in)	s2 (in)	OD1 (in)	OD2 (in)	Weight (lbs)	
63 x 20	2 x 1/2	21 / 16 / 230	3.15	1.00	0.98	0.118	0.075	2.48	0.79	0.14	5439246
75 x 20	2-1/2 x 1/2	21 / 16 / 230	3.15	1.00	1.30	0.142	0.075	2.95	0.79	-	5439285
75 x 25	2-1/2 x 3/4	21 / 16 / 230	3.15	1.00	1.30	0.142	0.075	2.95	0.98	-	5439286
75 x 32	2-1/2 x 1	21 / 16 / 230	3.15	1.00	1.30	0.142	0.094	2.95	1.26	0.14	5439289
75 x 40	2-1/2 x 1-1/4	21 / 16 / 230	3.15	1.00	1.30	0.142	0.094	2.95	1.58	0.14	5439290
90 x 20	3 x 1/2	21 / 16 / 230	3.15	1.00	1.30	0.169	0.075	3.54	0.79	0.29	5439332
90 x 25	3 x 3/4	21 / 16 / 230	3.15	1.00	1.30	0.169	0.075	3.54	0.98	0.29	5439333
90 x 32	3 x 1	21 / 16 / 230	3.15	1.00	1.30	0.169	0.094	3.54	1.26	0.29	5439336
90 x 40	3 x 1-1/4	21 / 16 / 230	3.15	1.00	1.30	0.169	0.094	3.54	1.58	0.34	5439335
110 x 20	4 x 1/2	21 / 16 / 230	3.94	1.00	1.30	0.209	0.075	4.33	0.79	0.40	5439399
110 x 25	4 x 3/4	21 / 16 / 230	3.94	1.00	1.30	0.209	0.075	4.33	0.98	0.40	5439404
110 x 32	4 x 1	21 / 16 / 230	3.94	1.00	1.30	0.209	0.094	4.33	1.26	0.60	5439401
110 x 40	4 x 1-1/4	21 / 16 / 230	3.94	1.00	1.30	0.209	0.094	4.33	1.58	0.60	5439412
110 x 50	4 x 1-1/2	21 / 16 / 230	3.94	1.00	1.30	0.209	0.118	4.33	1.97	0.59	5439415
110 x 75	4 x 2-1/2	21 / 16 / 230	3.94	1.23	1.30	0.209	0.142	4.33	2.95	-	5439421
160 x 32	6 x 1	21 / 16 / 230	6.30	1.00	1.18	0.303	0.094	6.30	1.26	-	5439516
160 x 63	6 x 2	21 / 16 / 230	5.91	1.00	1.18	0.303	0.118	6.30	2.48	-	5439530
200 x 90	8 x 3	21 / 16 / 230	6.30	1.00	1.18	0.378	0.169	7.87	6.54	-	5439582
200 x 110	8 x 4	21 / 16 / 230	5.12	1.00	1.18	0.378	0.209	7.87	4.33	-	5439583
200 x 160	8 x 6	21 / 16 / 230	4.72	1.00	1.02	0.378	0.303	7.87	6.30	-	5439585

Other sizes available, please contact Asahi/America Technical Services.

*The most current up-to-date drawings and CAD models can be found at <https://cad.asahi-america.com/>*

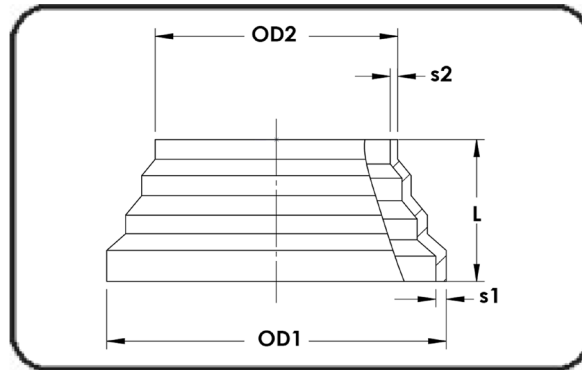


**MACHINED CONCENTRIC REDUCER (CONT.)**

Size		Dimensions									Part Number
mm	inch	SDR / PN / MOP (psi)	L (in)	L2 (in)	L1 (in)	s1 (in)	s2 (in)	OD1 (in)	OD2 (in)	Weight (lbs)	
90 x 20	3 x 1/2	33 x 21 / 10 / 150	3.15	0.79	1.30	0.110	0.075	3.54	0.79	0.25	5433332
90 x 25	3 x 3/4	33 x 21 / 10 / 150	3.15	0.79	1.30	0.110	0.075	3.54	0.98	0.25	5433333
90 x 32	3 x 1	33 x 21 / 10 / 150	3.15	0.79	1.30	0.110	0.094	3.54	1.26	0.25	5433336
90 x 40	3 x 1-1/4	33 x 21 / 10 / 150	3.15	0.79	1.30	0.110	0.094	3.54	1.58	0.25	5433335
90 x 50	3 x 1-1/2	33 x 21 / 10 / 150	3.15	0.79	1.30	0.110	0.118	3.54	1.97	0.25	5433337
110 x 20	4 x 1/2	33 x 21 / 10 / 150	3.94	0.79	1.30	0.134	0.075	4.33	0.79	0.37	5433399
110 x 25	4 x 3/4	33 x 21 / 10 / 150	3.94	0.79	1.30	0.134	0.075	4.33	0.98	0.36	5433404
110 x 32	4 x 1	33 x 21 / 10 / 150	3.94	0.79	1.30	0.134	0.094	4.33	1.26	0.37	5433401
110 x 40	4 x 1-1/4	33 x 21 / 10 / 150	3.94	0.79	1.30	0.134	0.094	4.33	1.58	0.36	5433412
110 x 50	4 x 1-1/2	33 x 21 / 10 / 150	3.94	0.79	1.30	0.134	0.118	4.33	1.97	0.38	5433415
160 x 32	6 x 1	33 x 21 / 10 / 150	6.30	0.79	1.18	0.193	0.094	6.30	1.26	0.75	5433516
160 x 63	6 x 2	33 x 21 / 10 / 150	6.30	0.79	1.18	0.193	0.118	6.30	2.48	-	5433530
160 x 90	6 x 3	33 x 21 / 10 / 150	6.30	0.79	1.18	0.193	0.169	6.30	3.54	-	5433531
200 x 63	8 x 2	33 x 21 / 10 / 150	6.30	0.79	1.18	0.244	0.118	7.87	2.48	1.1	5433581
200 x 90	8 x 3	33 x 21 / 10 / 150	6.30	0.79	1.18	0.244	0.169	7.87	3.54	1.1	5433582
200 x 110	8 x 4	33 x 21 / 10 / 150	5.12	0.79	1.18	0.244	0.209	7.87	4.33	1.2	5433583
225 x 90	9 x 3	33 x 21 / 10 / 150	6.30	0.79	1.18	0.272	0.169	8.86	3.54	-	5433604
225 x 110	9 x 4	33 x 21 / 10 / 150	6.30	0.79	1.18	0.272	0.209	8.86	4.33	-	5433607
160 x 90	6 x 3	33 / 10 / 150	4.72	0.79	1.18	0.193	0.110	6.30	3.54	-	5489531
200 x 90	8 x 3	33 / 10 / 150	6.30	0.79	1.02	0.244	0.110	7.87	3.54	1.0	5489582
200 x 110	8 x 4	33 / 10 / 150	5.12	0.79	1.02	0.244	0.134	7.87	4.33	1.1	5489583
200 x 160	8 x 6	33 / 10 / 150	4.72	0.79	1.02	0.244	0.193	7.87	6.30	1.0	5489585
225 x 110	9 x 4	33 / 10 / 150	6.30	0.79	1.18	0.272	0.134	8.86	4.33	-	5489607
225 x 200	9 x 8	33 / 10 / 150	3.54	1.18	1.18	0.272	0.244	8.86	7.87	-	5489611

Other sizes available, please contact Asahi/America Technical Services.

*The most current up-to-date drawings and CAD models can be found at <https://cad.asahi-america.com/>*

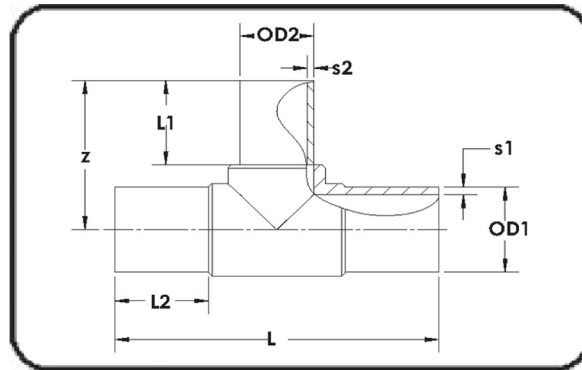


**STEPPED CONCENTRIC REDUCER**

Size		Dimensions									Part Number
mm	inch	SDR / PN / MOP (psi)	OD (in)	OD1 (in)	s (in)	L (in)	L1 (in)	L2 (in)	s1 (in)	Weight (lbs)	
110 x 63	4 x 2	21 / 16 / 230	4.33	2.48	0.21	2.56	0.43	0.28	0.12	0.33	5437420
63 x 16	2 x 3/8	21 / 16 / 230	2.48	0.63	0.12	2.20	0.35	0.20	0.07	0.09	5437247
160 x 110	6 x 4	33 / 10 / 150	6.30	4.33	0.19	3.35	0.55	0.51	0.13	0.75	5437532
225 x 160	9 x 6	33 / 10 / 150	8.86	6.30	0.27	3.82	0.79	0.55	0.19	1.7	5437585
315 x 225	12 x 9	33 / 10 / 150	12.40	8.86	0.38	5.39	1.02	0.75	0.27	4.4	5437670

Stepped concentric reducer contains all sizes within the range.  
 Spigot ends are short allowing for one tight weld.  
 Cannot be beadless welded.

*The most current up-to-date drawings and CAD models can be found at <https://cad.asahi-america.com/>*

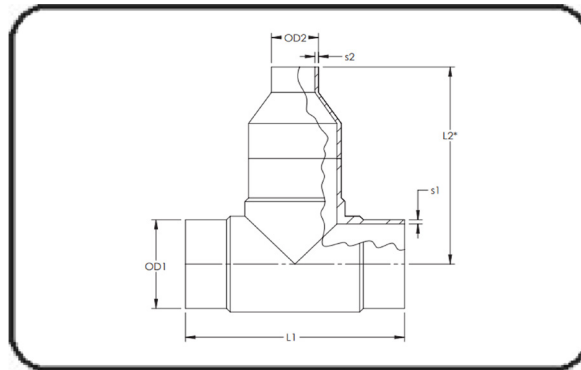


## REDUCING TEE

Size		Dimensions										Part Number
mm	inch	SDR / PN / MOP (psi)	OD1 (in)	OD2 (in)	s1 (in)	z (in)	L (in)	L1 (in)	L2 (in)	s2 (in)	Weight (lbs)	
63 x 20	2 x 1/2	21 / 16 / 230	2.48	0.79	0.118	2.78	3.78	1.22	1.22	0.075	0.30	5422246
63 x 25	2 x 3/4	21 / 16 / 230	2.48	0.98	0.118	2.78	4.02	1.22	1.22	0.075	0.29	5422248
63 x 32	2 x 1	21 / 16 / 230	2.48	1.26	0.118	2.78	4.29	1.22	1.22	0.094	0.29	5422249
63 x 40	2 x 1-1/4	21 / 16 / 230	2.48	1.57	0.118	2.78	4.61	1.22	1.22	0.094	0.36	5426250
63 x 50	2 x 1-1/2	21 / 16 / 230	2.48	1.97	0.118	2.78	5.00	1.22	1.22	0.118	0.43	5422251
90 x 20	3 x 1/2	21 / 16 / 230	3.54	0.79	0.169	3.74	9.06	2.09	1.50	0.075	1.4	5426332
90 x 25	3 x 3/4	21 / 16 / 230	3.54	0.98	0.169	3.74	9.06	2.09	1.50	0.075	1.4	5426333
90 x 32	3 x 1	21 / 16 / 230	3.54	1.26	0.169	3.74	9.06	2.09	1.50	0.094	1.5	5426336
90 x 40	3 x 1-1/4	21 / 16 / 230	3.54	1.57	0.169	3.74	9.06	2.09	1.50	0.094	1.5	5426335
90 x 50	3 x 1-1/2	21 / 16 / 230	3.54	1.97	0.169	3.74	9.06	2.09	1.50	0.118	1.5	5426337
90 x 63	3 x 2	21 / 16 / 230	3.54	2.48	0.169	3.74	9.06	2.09	1.50	0.118	1.5	5422338
110 x 20	4 x 1/2	21 / 16 / 230	4.33	0.79	0.209	4.13	9.06	2.05	1.42	0.075	2.1	5426399
110 x 25	4 x 3/4	21 / 16 / 230	4.33	0.98	0.209	4.13	9.06	2.05	1.42	0.075	2.2	5426404
110 x 32	4 x 1	21 / 16 / 230	4.33	1.26	0.209	4.13	9.06	2.05	1.42	0.094	2.2	5426401
110 x 40	4 x 1-1/4	21 / 16 / 230	4.33	1.57	0.209	4.13	9.06	2.05	1.42	0.094	2.2	5426412
110 x 50	4 x 1-1/2	21 / 16 / 230	4.33	1.97	0.209	4.13	9.06	2.05	1.42	0.118	2.2	5426415
110 x 63	4 x 2	21 / 16 / 230	4.33	2.48	0.209	4.13	9.06	2.05	1.42	0.118	2.2	5422420
110 x 90	4 x 3	21 / 16 / 230	4.33	3.54	0.209	5.91	12.32	3.43	2.95	0.169	3.0	5422422
160 x 63	6 x 2	21 / 16 / 230	6.30	2.48	0.303	6.89	13.58	3.94	2.56	0.118	6.2	5422530
160 x 90	6 x 3	21 / 16 / 230	6.30	3.54	0.303	7.20	13.70	3.82	2.83	0.169	7.2	5422531
160 x 110	6 x 4	21 / 16 / 230	6.30	4.33	0.303	7.20	13.74	3.82	3.19	0.209	7.6	5422532
90 x 63	3 x 2	33 x 21 / 10 / 150	3.54	2.48	0.110	5.12	10.43	2.95	2.56	0.118	1.3	5420338
110 x 63	4 x 2	33 x 21 / 10 / 150	4.33	2.48	0.134	5.91	12.40	3.35	2.56	0.118	2.1	5420420
160 x 63	6 x 2	33 x 21 / 10 / 150	6.30	2.48	0.193	6.89	13.70	3.94	2.56	0.118	4.7	5420530
160 x 90	6 x 3	33 x 21 / 10 / 150	6.30	3.54	0.193	7.20	13.70	3.82	2.83	0.169	5.6	5420531
160 x 110	6 x 4	33 x 21 / 10 / 150	6.30	4.33	0.193	7.28	13.66	3.78	3.19	0.209	6.2	5420532
110 x 90	4 x 3	33 / 10 / 150	4.33	3.54	0.134	5.91	12.32	3.43	2.95	0.110	2.4	5431422
160 x 90	6 x 3	33 / 10 / 150	6.30	3.54	0.193	7.20	13.70	3.78	2.76	0.110	5.6	5431531
160 x 110	6 x 4	33 / 10 / 150	6.30	4.33	0.193	7.20	13.74	3.82	3.19	0.134	6.0	5431532
225 x 160	9 x 6	33 / 10 / 150	8.86	6.30	0.272	7.13	13.86	2.68	1.85	0.193	9.4	5431606

Tee run must be trimmed to fit in SP 110-S welding equipment when welding branch.

**The most current up-to-date drawings and CAD models can be found at <https://cad.asahi-america.com/>**

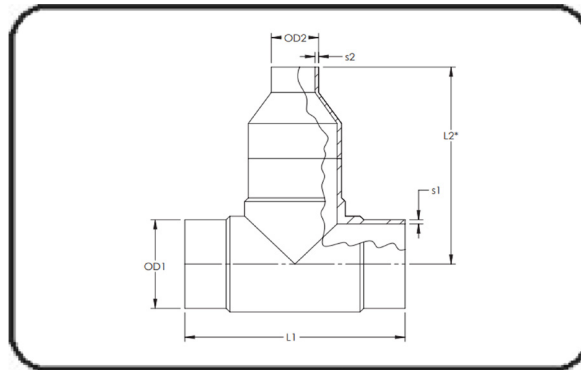


**REDUCING TEE - FABRICATED**

Size		SDR / PN / MOP (psi)	Dimensions				Weight (lbs)	Part Number
mm	inch		L1* (in)	L2* (in)	s1 (in)	s2 (in)		
25 x 20	3/4 x 1/2	21 / 16 / 230	3.31	3.62	0.075	0.075	0.11	5422101
32 x 20	1 x 1/2	21 / 16 / 230	3.54	3.78	0.094	0.075	0.16	5422130
32 x 25	1 x 3/4	21 / 16 / 230	3.54	3.78	0.094	0.075	0.17	5422131
40 x 20	1-1/4 x 1/2	21 / 16 / 230	4.57	4.45	0.094	0.075	0.26	5422166
40 x 25	1-1/4 x 3/4	21 / 16 / 230	4.57	4.45	0.094	0.075	0.26	5422167
40 x 32	1-1/4 x 1	21 / 16 / 230	4.57	4.45	0.094	0.094	0.27	5422168
50 x 20	1-1/2 x 1/2	21 / 16 / 230	4.96	4.88	0.118	0.075	0.42	5422208
50 x 25	1-1/2 x 3/4	21 / 16 / 230	4.96	4.88	0.118	0.075	0.43	5422210
50 x 32	1-1/2 x 1	21 / 16 / 230	4.96	4.88	0.118	0.094	0.43	5422211
50 x 40	1-1/2 x 1-1/4	21 / 16 / 230	4.96	4.88	0.118	0.094	0.45	5422212
63 x 40	2 x 1-1/4	21 / 16 / 230	5.51	5.32	0.118	0.094	0.61	5422250
75 x 50	2-1/2 x 1-1/2	21 / 16 / 230	7.01	9.33	0.142	0.118	1.3	5422291
75 x 63	2-1/2 x 2	21 / 16 / 230	7.01	9.37	0.142	0.118	1.3	5422292
90 x 75	3 x 2-1/2	21 / 16 / 230	7.28	10.00	0.169	0.142	2.0	5422339
225 x 160	9 x 6	21 / 16 / 230	19.53	15.99	0.425	0.303	24.0	5422606
250 x 160	10 x 6	21 / 16 / 230	19.69	16.89	0.469	0.303	30.0	5422627
250 x 225	10 x 9	21 / 16 / 230	19.69	16.93	0.469	0.425	31.1	5422629
315 x 160	12 x 6	21 / 16 / 230	21.85	16.80	0.591	0.303	-	5422659
315 x 250	12 x 10	21 / 16 / 230	21.85	17.79	0.591	0.469	-	5422673
250 x 160	10 x 6	33 / 10 / 150	18.53	16.89	0.303	0.193	22.3	5431627
250 x 225	10 x 9	33 / 10 / 150	18.53	16.93	0.303	0.272	22.6	5431629
315 x 160	12 x 6	33 / 10 / 150	19.53	16.81	0.378	0.193	9.9	5431659
315 x 250	12 x 10	33 / 10 / 150	19.53	16.81	0.378	0.303	33.2	5431630

Other sizes available, please contact Asahi/America Technical Services.  
 \* Fabricated dimension tolerance is +/- 1/4".

*The most current up-to-date drawings and CAD models can be found at <https://cad.asahi-america.com/>*



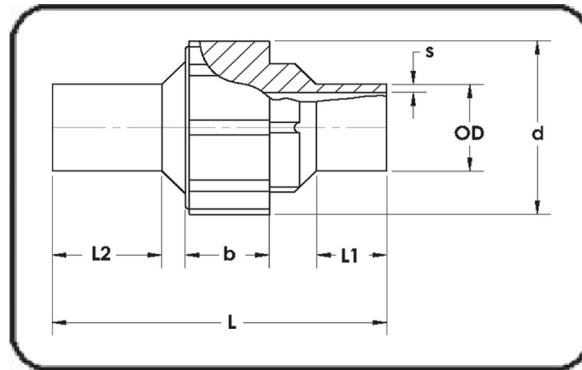
**MACHINED CONCENTRIC REDUCING TEE - FABRICATED**

Size		Dimensions					Part Number
mm	inch	SDR / PN / MOP (psi)	L1 (in)	L2 (in)	s1 (in)	s2 (in)	
75 x 32	2-1/2 x 1	21 / 16 / 230	6.88	6.38	0.142	0.094	5446289
75 x 40	2-1/2 x 1-1/4	21 / 16 / 230	6.88	6.38	0.142	0.094	5446290
160 x 32	6 x 1	33 x 21 / 10 / 150	11.00	11.56	0.193	0.094	5450516
200 x 63	8 x 2	33 x 21 / 10 / 150	17.56	15.00	0.244	0.118	5450581
200 x 90	8 x 3	33 x 21 / 10 / 150	17.56	15.00	0.244	0.169	5450582
200 x 110	8 x 4	33 x 21 / 10 / 150	17.56	13.50	0.244	0.209	5450583

Fabricated from molded tee and machined reducer.  
 Other sizes available, please contact Asahi/America Technical Services.

*The most current up-to-date drawings and CAD models can be found at <https://cad.asahi-america.com/>*

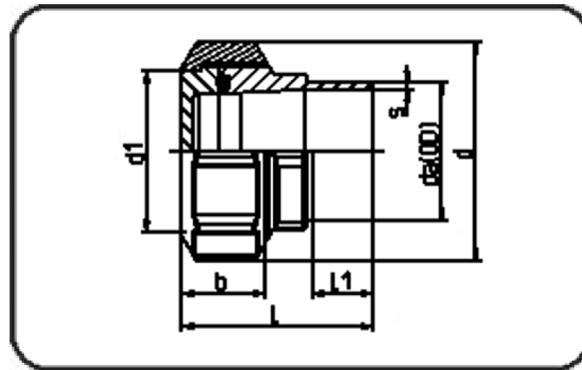




**UNION**

Size		Dimensions									Part Number	
mm	inch	SDR / PN / MOP (psi)	OD (in)	s (in)	L (in)	L1 (in)	L2 (in)	d (in)	b (in)	Weight (lbs)	FKM	PTFE
20	1/2	21 / 16 / 230	0.79	0.075	4.17	1.06	1.50	1.69	0.91	0.14	5434005	5405005
25	3/4	21 / 16 / 230	0.98	0.075	4.41	1.06	1.57	2.09	0.98	0.22	5434007	5405007
32	1	21 / 16 / 230	1.26	0.094	4.72	1.06	1.73	2.36	1.06	0.32	5434010	5405010
40	1-1/4	21 / 16 / 230	1.57	0.094	4.88	1.06	1.85	2.95	1.18	0.49	5434012	5405012
50	1-1/2	21 / 16 / 230	1.97	0.118	5.20	1.06	1.85	3.23	1.38	0.66	5434015	5405015
63	2	21 / 16 / 230	2.48	0.118	5.39	1.06	1.85	3.94	1.48	1.0	5434020	5405020
75	2-1/2	21 / 16 / 230	2.95	0.142	5.20	1.10	1.46	5.12	1.57	1.7	5434025	5405025
90	3	21 / 16 / 230	3.54	0.169	5.12	1.34	2.17	5.12	1.57	1.6	5434030	5405030

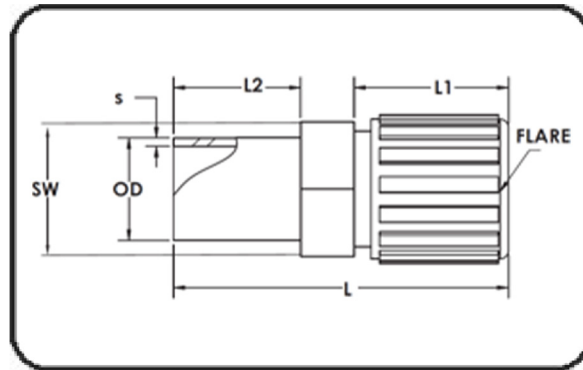
*The most current up-to-date drawings and CAD models can be found at <https://cad.asahi-america.com/>*



**UNION HALF WITH BLANK**

Size		Dimensions									Part Number
mm	inch	SDR / PN / MOP (psi)	OD (in)	s (in)	L (in)	L1 (in)	d1 (in)	d (in)	b (in)	Weight (lbs)	
20	1/2	21 / 16 / 230	0.79	0.075	2.56	1.06	1.07	1.69	0.91	0.13	5495005
25	3/4	21 / 16 / 230	0.98	0.075	2.70	1.06	1.41	2.09	0.98	0.20	5495007
32	1	21 / 16 / 230	1.26	0.094	2.95	1.06	1.63	2.36	1.06	0.27	5495010
40	1-1/4	21 / 16 / 230	1.57	0.094	2.95	1.06	2.07	2.95	1.18	0.45	5495012
50	1-1/2	21 / 16 / 230	1.97	0.118	3.23	1.06	2.31	3.23	1.38	0.58	5495015
63	2	21 / 16 / 230	2.48	0.118	3.33	1.06	2.90	3.94	1.48	0.90	5495020

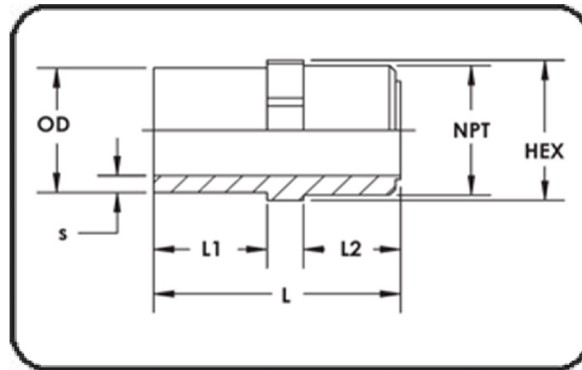
*The most current up-to-date drawings and CAD models can be found at <https://cad.asahi-america.com/>*



**FLARE ADAPTER**

Size		Dimensions									Part Number
mm	inch	Flare	SDR / PN / MOP (psi)	OD (in)	s (in)	L (in)	L1 (in)	L2 (in)	SW (in)	Weight (lbs)	
20	1/2	1/4	21 / 16 / 150	0.79	0.075	3.19	1.14	1.50	0.95	0.14	5406096
20	1/2	3/8	21 / 16 / 150	0.79	0.075	3.31	1.26	1.50	0.95	0.17	5406098
20	1/2	1/2	21 / 16 / 150	0.79	0.075	3.40	1.26	1.50	1.06	0.17	5406005
25	3/4	1/4	21 / 16 / 150	0.98	0.075	3.40	1.26	1.50	1.06	0.18	5406103
25	3/4	3/8	21 / 16 / 150	0.98	0.075	3.36	1.26	1.50	1.18	0.23	5406106
25	3/4	1/2	21 / 16 / 150	0.98	0.075	3.40	1.30	1.50	1.18	0.21	5406101
25	3/4	3/4	21 / 16 / 150	0.98	0.075	3.56	1.46	1.50	1.18	0.27	5406007
25	3/4	1	21 / 16 / 150	0.98	0.094	3.39	1.26	1.50	1.61	0.53	5406132
32	1	3/8	21 / 16 / 150	1.26	0.094	3.39	1.26	1.50	1.61	0.35	5406105
32	1	1/2	21 / 16 / 150	1.26	0.094	3.43	1.26	1.50	1.61	0.35	5406130
32	1	3/4	21 / 16 / 150	1.26	0.094	3.59	1.46	1.50	1.61	0.36	5406131
32	1	1	21 / 16 / 150	1.26	0.094	3.86	1.73	1.50	1.61	0.55	5406010
40	1-1/4	1/2	21 / 16 / 150	1.57	0.094	3.43	2.05	1.50	1.61	0.39	5406166

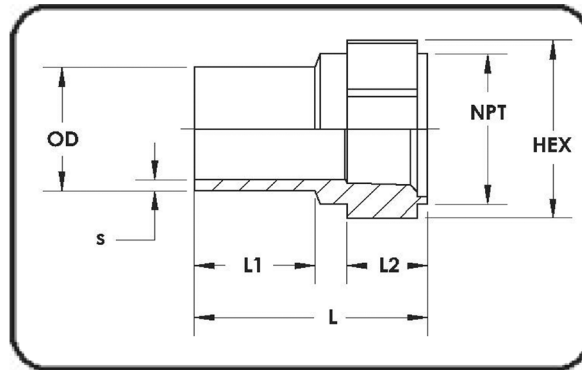
*The most current up-to-date drawings and CAD models can be found at <https://cad.asahi-america.com/>*



**MALE ADAPTER**

Size		Dimensions									Part Number
mm	inch	SDR / PN / MOP (psi)	OD (in)	s (in)	L (in)	L1 (in)	L2 (in)	HEX (in)	NPT (in)	Weight (lbs)	
20	1/2	21 / 10 / 150	0.79	0.075	1.81	0.79	0.71	0.87	0.50	0.03	5447005
25	3/4	21 / 10 / 150	0.98	0.075	2.01	0.91	0.79	1.06	0.75	0.04	5447007
32	1	21 / 10 / 150	1.26	0.094	2.40	1.14	0.91	1.42	1.00	0.08	5447010
40	1-1/4	21 / 10 / 150	1.57	0.094	2.60	1.14	1.06	1.81	1.25	0.14	5447012
50	1-1/2	21 / 10 / 150	1.97	0.118	2.91	1.30	1.14	2.17	1.50	0.21	5447015
63	2	21 / 10 / 150	2.48	0.118	3.15	1.38	1.22	2.56	2.00	0.31	5447020

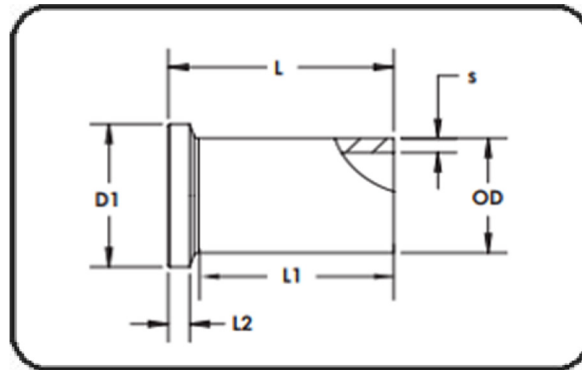
*The most current up-to-date drawings and CAD models can be found at <https://cad.asahi-america.com/>*



**FEMALE ADAPTER**

Size		Dimensions									Part Number
mm	inch	SDR / PN / MOP (psi)	OD (in)	s (in)	L (in)	L1 (in)	L2 (in)	HEX (in)	NPT (in)	Weight (lbs)	
20	1/2	21 / 10 / 150	0.79	0.075	1.81	0.79	0.63	1.26	0.50	0.06	5449005
25	3/4	21 / 10 / 150	0.98	0.075	2.01	0.91	0.71	1.61	0.75	0.10	5449007
32	1	21 / 10 / 150	1.26	0.094	2.28	1.14	0.79	1.81	1.00	0.13	5449010
40	1-1/4	21 / 10 / 150	1.57	0.094	2.44	1.18	0.94	2.17	1.25	0.19	5449012
50	1-1/2	21 / 10 / 150	1.97	0.118	2.68	1.34	0.94	2.76	1.50	0.38	5449015
63	2	21 / 10 / 150	2.48	0.118	2.95	1.38	1.10	3.35	2.00	0.54	5449020

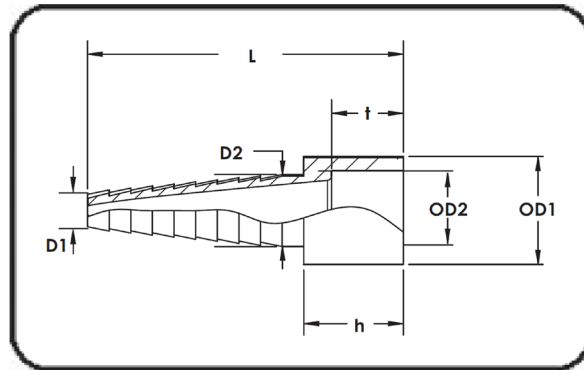
*The most current up-to-date drawings and CAD models can be found at <https://cad.asahi-america.com/>*



**SANITARY ADAPTER**

Size			Dimensions								Part Number
mm	inch	Sanitary (in)	SDR / MOP (psi)	OD (in)	s (in)	L (in)	L1 (in)	L2 (in)	D1 (in)	Weight (lbs)	
20	1/2	3/4	21 / 120	0.79	0.075	1.50	1.30	0.14	0.98	0.02	5445101
25	3/4	1	21 / 120	0.98	0.075	1.50	1.16	0.11	1.98	0.05	5445131
32	1	1-1/2	21 / 120	1.26	0.094	1.50	0.75	0.11	1.98	0.05	5445168
40	1-1/4	1-1/2	21 / 120	1.57	0.094	1.50	1.25	0.11	1.98	0.05	5445212
50	1-1/2	2	21 / 120	1.97	0.118	1.50	1.25	0.11	2.49	0.08	5445251
63	2	2-1/2	21 / 120	2.48	0.118	1.50	1.25	0.11	2.99	0.10	5445292

*The most current up-to-date drawings and CAD models can be found at <https://cad.asahi-america.com/>*

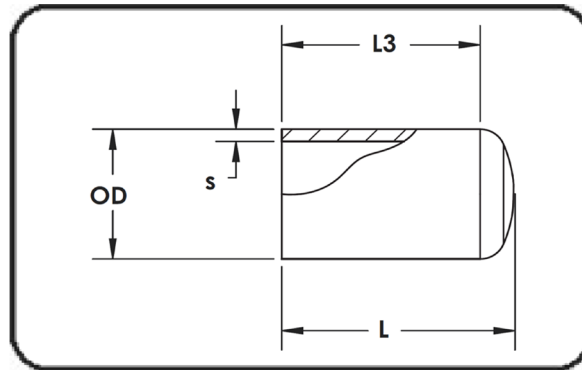


**HOSE BARB**

Outlet Size		Dimensions									Part Number
mm	inch	SDR / PN / MOP (psi)	OD1 (in)	OD2 (in)	L (in)	h (in)	t (in)	D1 (in)	D2 (in)	Weight (lbs)	
-	1/4	21 / 16 / 150	0.75	0.5	2.78	0.88	0.66	0.25	0.50	0.045	840704010

This fitting is designed to be socket welded to 20mm (1/2") or butt welded to 25mm (3/4").  
 \*Hose barb is 1/4" - 1/2".

*The most current up-to-date drawings and CAD models can be found at <https://cad.asahi-america.com/>*

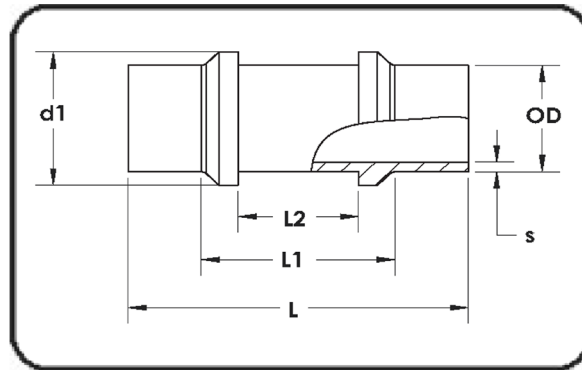


**END CAP**

Size		Dimensions						Part Number
mm	inch	SDR / PN / MOP (psi)	OD (in)	s (in)	L (in)	L3 (in)	Weight (lbs)	
20	1/2	21 / 16 / 230	0.79	0.075	1.89	1.61	0.02	5443005
25	3/4	21 / 16 / 230	0.98	0.075	1.89	1.61	0.03	5443007
32	1	21 / 16 / 230	1.26	0.094	2.05	1.65	0.05	5443010
40	1-1/4	21 / 16 / 230	1.57	0.094	2.36	1.89	0.08	5443012
50	1-1/2	21 / 16 / 230	1.97	0.118	2.52	1.89	0.13	5443015
63	2	21 / 16 / 230	2.48	0.118	2.72	1.97	0.20	5443020
75	2-1/2	21 / 16 / 230	2.95	0.142	3.66	2.95	0.38	5443025
90	3	21 / 16 / 230	3.54	0.169	4.33	3.31	0.62	5444030
110	4	21 / 16 / 230	4.33	0.209	4.92	3.90	1.0	5444040
90	3	33 / 10 / 150	3.54	0.110	4.33	3.31	0.44	5443030
110	4	33 / 10 / 150	4.33	0.134	4.92	3.90	0.66	5443040

*The most current up-to-date drawings and CAD models can be found at <https://cad.asahi-america.com/>*

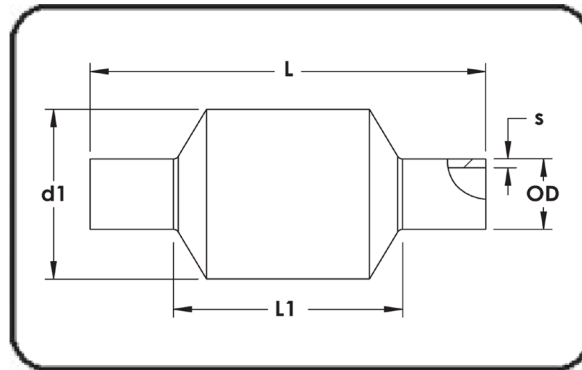




**RESTRAINT FITTING**

Size		Dimensions								Part Number
mm	inch	SDR / PN / MOP (psi)	OD (in)	s (in)	L (in)	L1 (in)	L2 (in)	d1 (in)	Weight (lbs)	
20	1/2	21 / 16 / 230	0.79	0.075	3.70	2.09	1.28	1.10	0.06	5461005
25	3/4	21 / 16 / 230	0.98	0.075	3.70	2.09	1.28	1.30	0.07	5461007
32	1	21 / 16 / 230	1.26	0.094	3.70	2.09	1.28	1.57	0.11	5461010
40	1-1/4	21 / 16 / 230	1.57	0.094	3.70	2.09	1.28	1.89	0.14	5461012
50	1-1/2	21 / 16 / 230	1.97	0.118	4.50	2.09	1.28	2.28	0.31	5461015
63	2	21 / 16 / 230	2.48	0.118	4.72	2.68	1.20	2.80	0.43	5461020
75	2-1/2	21 / 16 / 230	2.95	0.142	5.11	2.76	1.57	3.43	0.56	5461025
90	3	21 / 16 / 230	3.54	0.169	5.91	2.95	1.59	4.09	0.96	5461030
110	4	21 / 16 / 230	4.33	0.209	5.91	3.03	1.61	4.96	1.5	5461040
160	6	21 / 16 / 230	6.30	0.303	6.22	3.92	2.36	7.03	3.1	5461060
90	3	33 / 10 / 150	3.54	0.110	5.91	2.95	1.59	4.09	0.75	5471030
110	4	33 / 10 / 150	4.33	0.134	5.91	3.03	1.61	4.96	1.2	5471040
140	5	33 / 10 / 150	5.51	0.169	6.26	3.94	2.38	6.26	1.9	5471050
160	6	33 / 10 / 150	6.30	0.193	6.30	3.94	2.36	7.09	2.3	5471060

*The most current up-to-date drawings and CAD models can be found at <https://cad.asahi-america.com/>*

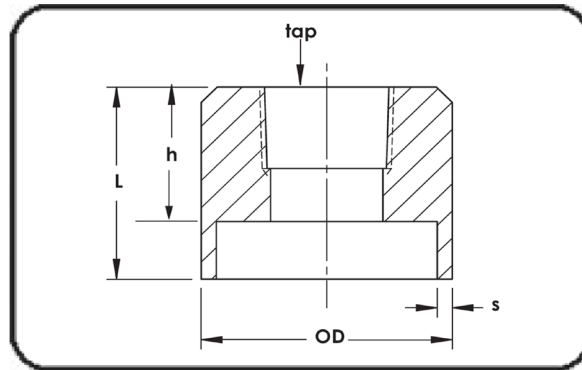


**INSTRUMENTATION FITTING**

Size		Dimensions								Part Number
mm	inch	SDR / PN / MOP (psi)	OD (in)	s (in)	L (in)	d1 (in)	L1 (in)	NPT (in)	Weight (lbs)	
20	1/2	21 / 16 / 230	0.79	0.075	4.72	1.97	1.97	-	0.43	5499005
20	1/2	21 / 16 / 230	0.79	0.075	4.72	1.97	1.97	1/4	0.43	5499096
25	3/4	21 / 16 / 230	0.98	0.075	4.72	2.17	1.97	-	0.58	5499007
25	3/4	21 / 16 / 230	0.98	0.075	4.72	2.17	1.97	1/4	0.58	5499103
25	3/4	21 / 16 / 230	0.98	0.075	4.72	2.17	1.97	1/2	0.58	5499101
32	1	21 / 16 / 230	1.26	0.094	4.72	2.36	1.97	-	0.60	5499010
32	1	21 / 16 / 230	1.26	0.094	4.72	2.36	1.97	1/4	0.60	5499104
32	1	21 / 16 / 230	1.26	0.094	4.72	2.36	1.97	1/2	0.60	5499130
40	1-1/4	21 / 16 / 230	1.57	0.094	4.72	2.95	1.97	-	0.79	5499012
40	1-1/4	21 / 16 / 230	1.57	0.094	4.72	2.95	1.97	1/4	0.79	5499159
40	1-1/4	21 / 16 / 230	1.57	0.094	4.72	2.95	1.97	1/2	0.79	5499166
50	1-1/2	21 / 16 / 230	1.97	0.118	4.72	3.15	1.97	-	0.99	5499015
50	1-1/2	21 / 16 / 230	1.97	0.118	4.72	3.15	1.97	1/4	0.99	5499207
50	1-1/2	21 / 16 / 230	1.97	0.118	4.72	3.15	1.97	1/2	0.99	5499208
63	2	21 / 16 / 230	2.48	0.118	4.72	3.35	2.05	-	0.90	5499020
63	2	21 / 16 / 230	2.48	0.118	4.72	3.35	2.05	1/4	0.90	5499244
63	2	21 / 16 / 230	2.48	0.118	4.72	3.35	2.05	1/2	0.90	5499246
75	2-1/2	21 / 16 / 230	2.95	0.142	5.51	4.13	1.97	-	1.4	5499025
75	2-1/2	21 / 16 / 230	2.95	0.142	5.51	4.13	1.97	1/4	1.4	5499283
75	2-1/2	21 / 16 / 230	2.95	0.142	5.51	4.13	1.97	1/2	1.4	5499285
90	3	21 / 16 / 230	3.54	0.169	5.87	4.33	2.36	-	1.6	5492030
90	3	21 / 16 / 230	3.54	0.169	5.87	4.33	2.36	1/4	1.6	5492330
90	3	21 / 16 / 230	3.54	0.169	5.87	4.33	2.36	1/2	1.6	5492332
110	4	21 / 16 / 230	4.33	0.209	5.87	5.12	2.32	-	2.1	5492040
110	4	21 / 16 / 230	4.33	0.209	5.87	5.12	2.32	1/4	2.1	5492402
110	4	21 / 16 / 230	4.33	0.209	5.87	5.12	2.32	1/2	2.1	5492399
160	6	21 / 16 / 230	6.30	0.303	6.22	7.01	3.07	-	4.1	5492060
160	6	21 / 16 / 230	6.30	0.303	6.22	7.01	3.07	1/4	4.1	5492509
160	6	21 / 16 / 230	6.30	0.303	6.22	7.01	3.07	1/2	4.1	5492512
90	3	33 / 10 / 150	3.54	0.110	5.87	4.33	2.36	-	1.4	5499030
90	3	33 / 10 / 150	3.54	0.110	5.87	4.33	2.36	1/4	1.4	5499330
90	3	33 / 10 / 150	3.54	0.110	5.87	4.33	2.36	1/2	1.4	5499332
110	4	33 / 10 / 150	4.33	0.134	5.87	5.12	2.36	-	1.5	5499040
110	4	33 / 10 / 150	4.33	0.134	5.87	5.12	2.36	1/4	1.5	5499402
110	4	33 / 10 / 150	4.33	0.134	5.87	5.12	2.36	1/2	1.5	5499399
160	6	33 / 10 / 150	6.30	0.193	6.22	7.01	3.07	-	3.3	5499060
160	6	33 / 10 / 150	6.30	0.193	6.22	7.01	3.07	1/4	3.3	5499509
160	6	33 / 10 / 150	6.30	0.193	6.22	7.01	3.07	1/2	3.3	5499512

Custom fittings available, consult Asahi/America.

**The most current up-to-date drawings and CAD models can be found at <https://cad.asahi-america.com/>**

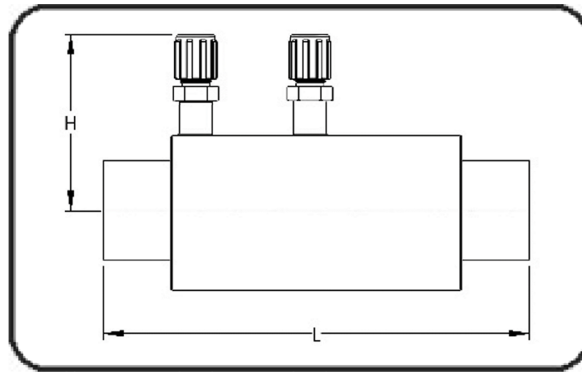


**PROBE ADAPTER**

Size		Dimensions							Part Number
mm	inch	SDR / PN / MOP (psi)	OD (in)	h (in)	L (in)	s (in)	NPT (in)	Weight (lbs)	
20	1/2	21 / 16 / 230	0.79	1.00	1.50	0.075	Solid	0.04	5466005
20	1/2	21 / 16 / 230	0.79	1.00	1.50	0.075	1/4" Tap	0.03	5466096
25	3/4	21 / 16 / 230	0.98	1.00	1.50	0.075	Solid	0.05	5466007
25	3/4	21 / 16 / 230	0.98	1.00	1.50	0.075	1/4" Tap	0.03	5466103
32	1	21 / 16 / 230	1.26	1.00	1.50	0.094	Solid	0.08	5466010
32	1	21 / 16 / 230	1.26	1.00	1.50	0.094	1/4" Tap	0.05	5466104
32	1	21 / 16 / 230	1.26	1.00	1.50	0.094	1/2" Tap	0.05	5466130
40	1-1/4	21 / 16 / 230	1.57	1.00	1.50	0.094	Solid	0.10	5466012
40	1-1/4	21 / 16 / 230	1.57	1.00	1.50	0.094	1/4" Tap	0.07	5466159
40	1-1/4	21 / 16 / 230	1.57	1.00	1.50	0.094	1/2" Tap	0.07	5466166
50	1-1/2	21 / 16 / 230	1.97	1.00	1.50	0.118	Solid	0.12	5466015
50	1-1/2	21 / 16 / 230	1.97	1.00	1.50	0.118	1/4" Tap	0.08	5466207
50	1-1/2	21 / 16 / 230	1.97	1.00	1.50	0.118	1/2" Tap	0.08	5466208
63	2	21 / 16 / 230	2.48	1.00	1.50	0.118	Solid	0.35	5466020
63	2	21 / 16 / 230	2.48	1.00	1.50	0.118	1/4" Tap	0.31	5466244
63	2	21 / 16 / 230	2.48	1.00	1.50	0.118	1/2" Tap	0.31	5466246
75	2-1/2	21 / 16 / 230	2.95	1.00	1.50	0.141	Solid	0.42	5466025
75	2-1/2	21 / 16 / 230	2.95	1.00	1.50	0.141	1/4" Tap	0.37	5466244
75	2-1/2	21 / 16 / 230	2.95	1.00	1.50	0.141	1/2" Tap	0.37	5466246
90	3	21 / 16 / 230	3.54	1.00	1.50	0.169	Solid	1.03	5469030
90	3	21 / 16 / 230	3.54	1.00	1.50	0.169	1/4" Tap	0.91	5469330
90	3	21 / 16 / 230	3.54	1.00	1.50	0.169	1/2" Tap	0.91	5469332
110	4	21 / 16 / 230	4.33	1.00	1.50	0.209	Solid	1.0	5469040
110	4	21 / 16 / 230	4.33	1.00	1.50	0.209	1/4" Tap	1.0	5469402
110	4	21 / 16 / 230	4.33	1.00	1.50	0.209	1/2" Tap	1.0	5469399
90	3	33 / 10 / 150	3.54	1.00	1.50	0.110	Solid	0.67	5466030
90	3	33 / 10 / 150	3.54	1.00	1.50	0.110	1/4" Tap	0.59	5466330
90	3	33 / 10 / 150	3.54	1.00	1.50	0.110	1/2" Tap	0.59	5466332
110	4	33 / 10 / 150	4.33	1.00	1.50	0.134	Solid	0.99	5466040
110	4	33 / 10 / 150	4.33	1.00	1.50	0.134	1/4" Tap	0.98	5466402
110	4	33 / 10 / 150	4.33	1.00	1.50	0.134	1/2" Tap	0.98	5466399

Custom fittings available, consult Asahi/America.

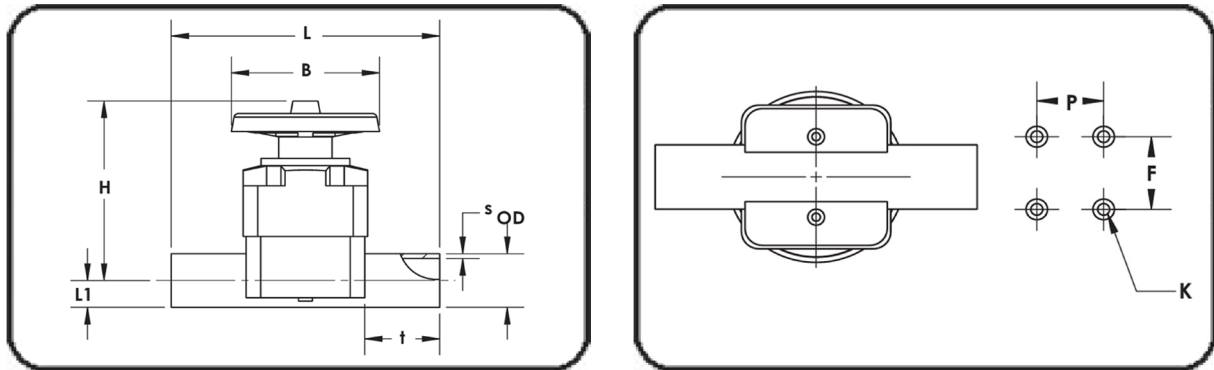
**The most current up-to-date drawings and CAD models can be found at <https://cad.asahi-america.com/>**



**FAUCET DIVERTER**

Size		Dimensions			Part Number
mm	inch	SDR / PN / MOP (psi)	h (in)	L (in)	
25	3/4	21 / 10 / 150	3.63	7.00	540301007
32	1	21 / 16 / 230	3.88	7.50	540301010
40	1-1/4	21 / 16 / 230	3.75	7.88	540301012
50	1-1/2	21 / 16 / 230	3.88	8.50	540301015
63	2	21 / 16 / 230	4.13	10.25	540301020

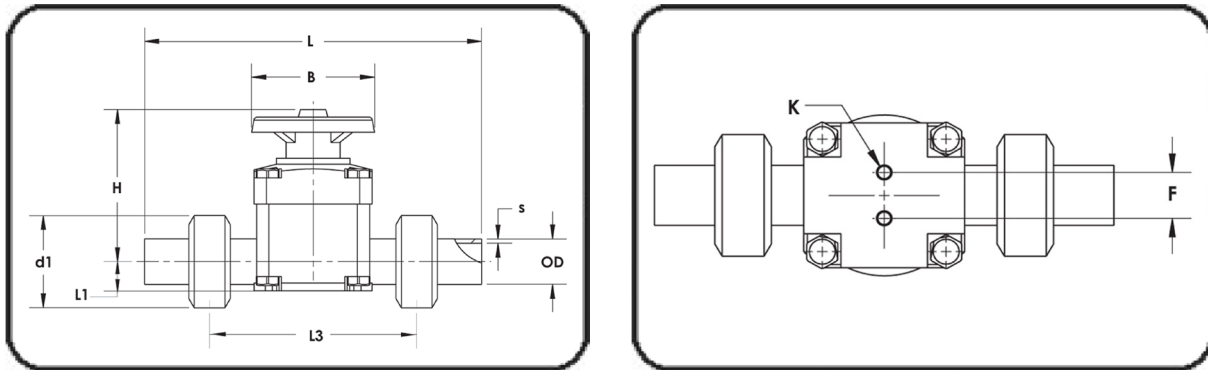
*The most current up-to-date drawings and CAD models can be found at <https://cad.asahi-america.com/>*



**T-342 DIAPHRAGM VALVE**

Size		Dimensions												Part Number
mm	inch	SDR / PN / MOP (psi)	OD (in)	s (in)	L (in)	t (in)	H (in)	B (in)	L1 (in)	F (in)	P (in)	K	Weight (lbs)	
20	1/2	21 / 10 / 150	0.79	0.075	5.24	1.42	3.94	3.35	0.65	0.96	-	M6	1.0	1131005
25	3/4	21 / 10 / 150	0.98	0.075	5.67	1.42	3.94	3.35	0.65	0.96	-	M6	1.1	1131007
32	1	21 / 10 / 150	1.26	0.094	6.06	1.42	4.21	3.35	0.81	0.96	-	M6	1.6	1131010
40	1-1/4	21 / 10 / 150	1.57	0.094	7.60	1.88	5.67	5.31	1.00	1.01	-	M8	3.5	1131012
50	1-1/2	21 / 10 / 150	1.97	0.118	7.64	1.90	5.67	5.31	1.26	1.26	-	M8	3.6	1131015
63	2	21 / 10 / 150	2.48	0.118	8.82	2.13	6.69	5.31	1.52	1.52	-	M8	5.5	1131020
75	2-1/2	21 / 10 / 150	2.95	0.142	11.18	1.46	10.00	9.21	0.98	9.06	-	M12	12.7	1131025
90	3	21 / 10 / 150	3.54	0.169	12.20	1.42	10.00	9.21	0.98	9.06	-	M12	12.8	1131030
110	4	21 / 10 / 150	4.33	0.209	13.39	1.97	12.60	9.21	0.79	11.02	3.35	M12	23.7	1131040

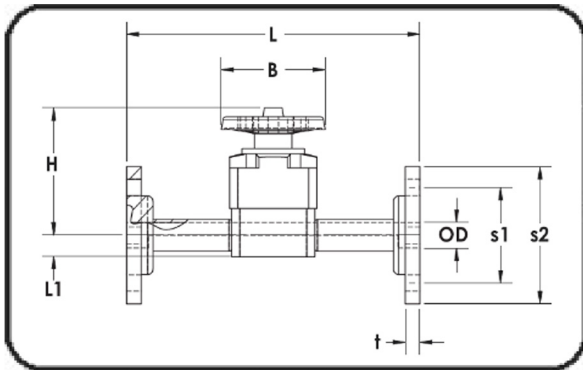
*The most current up-to-date drawings and CAD models can be found at <https://cad.asahi-america.com/>*



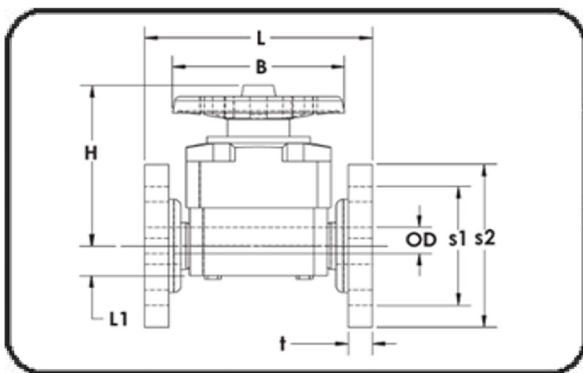
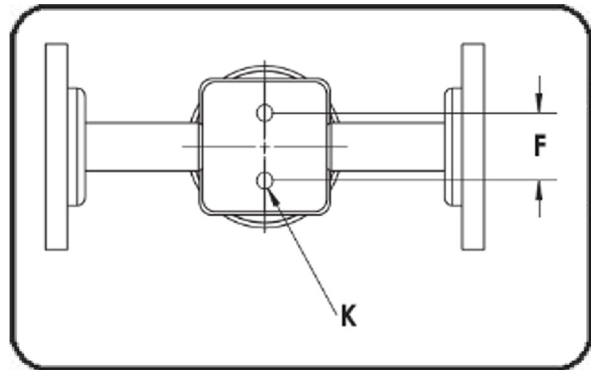
**T-342 DIAPHRAGM VALVE - TRUE UNION**

Size		Dimensions												Part Number
mm	inch	SDR / PN / MOP (psi)	OD (in)	s (in)	L (in)	L1 (in)	F (in)	L3 (in)	B (in)	d1 (in)	H (in)	K	Weight (lbs)	
20	1/2	21 / 10 / 150	0.79	0.075	7.80	0.65	0.96	3.54	3.39	1.87	3.94	M6	1.3	1164005
25	3/4	21 / 10 / 150	0.98	0.075	8.74	0.65	0.96	4.25	3.39	2.28	3.94	M6	1.4	1164007
32	1	21 / 10 / 150	1.26	0.094	9.29	0.79	0.96	4.57	3.39	2.56	4.21	M6	2.0	1164010
40	1-1/4	21 / 10 / 150	1.57	0.094	10.24	1.00	1.73	5.28	5.35	3.11	5.67	M8	4.1	1164012
50	1-1/2	21 / 10 / 150	1.97	0.118	11.26	1.26	1.73	6.06	5.35	3.54	5.67	M8	4.7	1164015
63	2	21 / 10 / 150	2.48	0.118	12.68	1.52	1.73	7.24	5.35	4.33	6.69	M8	5.9	1164020

*The most current up-to-date drawings and CAD models can be found at <https://cad.asahi-america.com/>*



FABRICATED

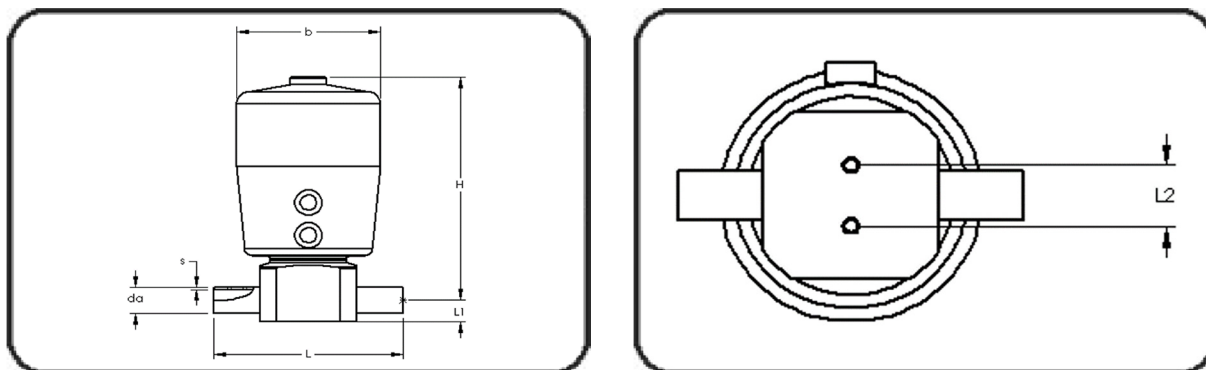


MOLDED

**T-342 DIAPHRAGM VALVE - FLANGED**

Size		Dimensions												Part Number	
mm	inch	Type	SDR / PN / MOP (psi)	OD (in)	L (in)	L2 (in)	H (in)	B (in)	K	s2 (in)	t (in)	L1 (in)	s1 (in)		Weight (lbs)
20	1/2	Fabricated	21 / 10 / 150	0.79	8.63	-	3.94	3.35	M6	3.74	-	0.33	2.36	2.10	1181005
25	3/4	Fabricated	21 / 10 / 150	0.98	9.50	-	3.94	3.35	M6	4.02	-	0.33	2.51	2.32	1181007
32	1	Fabricated	21 / 10 / 150	1.26	9.88	-	4.21	3.35	M6	4.49	-	0.40	3.12	3.45	1181010
40	1-1/4	Molded	21 / 10 / 150	1.57	7.09	1.73	5.67	5.35	M8	5.51	0.75	1.00	3.70	4.87	1181012
50	1-1/2	Molded	21 / 10 / 150	1.97	7.87	1.73	5.67	5.35	M8	5.91	0.91	1.26	4.06	5.67	1181015
63	2	Molded	21 / 10 / 150	2.48	9.06	1.73	6.69	5.35	M8	6.50	0.98	1.52	4.80	8.32	1181020
75	2-1/2	Fabricated	21 / 10 / 150	2.95	15.00	-	10.00	9.21	M12	7.24	-	0.49	5.49	18.38	1181025
90	3	Molded	21 / 10 / 150	3.54	12.20	9.06	10.00	9.21	M12	7.87	0.75	0.98	5.91	16.79	1181030
110	4	Molded	21 / 10 / 150	4.33	13.78	11.02	12.60	9.21	M12	8.98	1.38	0.98	7.20	30.42	1181040

*The most current up-to-date drawings and CAD models can be found at <https://cad.asahi-america.com/>*

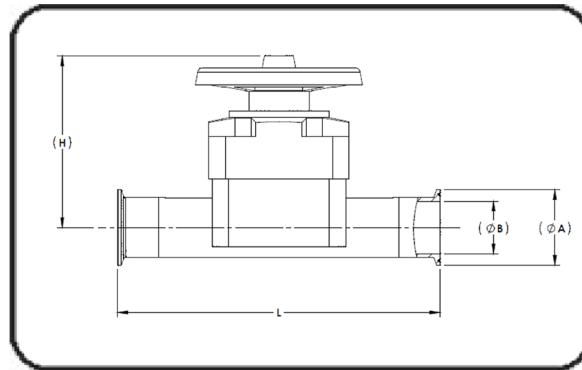


**ACTUATED T-342 DIAPHRAGM VALVE**

Size		Dimensions										Part Number		
mm	inch	SDR / PN / MOP (psi)	da (in)	s (in)	L (in)	L1 (in)	L2 (in)	H (in)	b (in)	K	Weight (lbs)	N-O	N-C	A-A
20	1/2	21 / 10 / 150	0.79	0.075	5.24	0.65	0.96	6.69	3.98	M6	1.48	1340005	1349005	1339005
25	3/4	21 / 10 / 150	0.98	0.075	5.67	0.65	0.96	6.69	3.98	M6	1.70	1340007	1349007	1339007
32	1	21 / 10 / 150	1.26	0.094	6.06	0.81	0.96	6.89	3.98	M6	3.09	1340010	1349010	1339010
40	1-1/4	21 / 10 / 150	1.57	0.094	7.60	1.00	1.73	10.75	6.02	M8	8.95	1340012	1349012	1339012
50	1-1/2	21 / 10 / 150	1.97	0.118	7.64	1.26	1.73	10.75	6.02	M8	8.83	1340015	1349015	1339015
63	2	21 / 10 / 150	2.48	0.118	8.82	1.52	1.73	10.91	6.02	M8	9.78	1340020	1349020	1339020

*The most current up-to-date drawings and CAD models can be found at <https://cad.asahi-america.com/>*

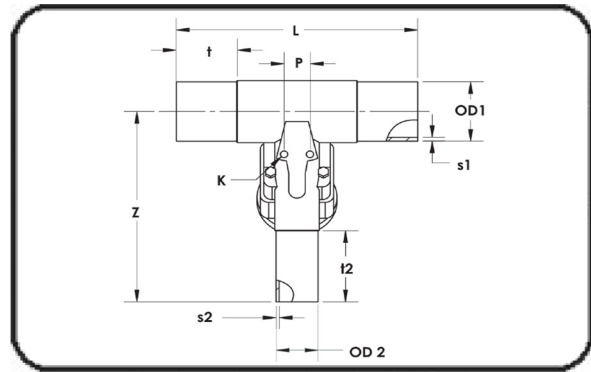
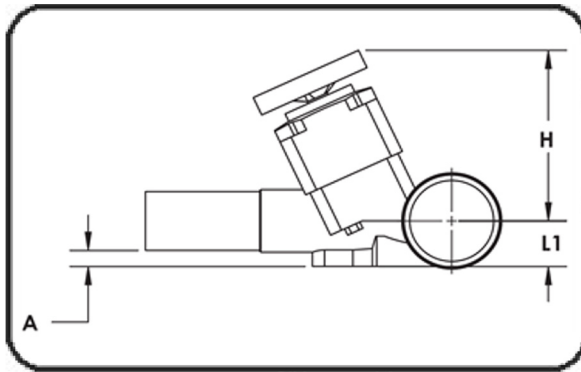




**T-342 DIAPHRAGM VALVE - SANITARY END**

Size		Dimensions						Part Number
mm	inch	SDR / MOP (psi)	OD (in)	L (in)	H (in)	ØA (in)	ØB (in)	
20	1/2	21 / 120	0.79	8.00	3.94	0.98	0.64	1131005
25	3/4	21 / 120	0.98	8.38	3.94	1.98	0.83	1131007
32	1	21 / 120	1.26	8.78	4.21	1.98	1.07	1131010
40	1-1/4	21 / 120	1.57	10.25	5.67	1.98	1.39	1131012
50	1-1/2	21 / 120	1.97	10.25	5.67	2.49	1.73	1131015
63	2	21 / 120	2.48	10.25	6.69	2.49	2.24	1131020

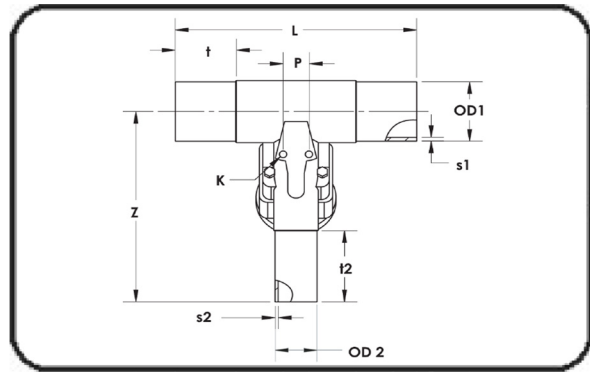
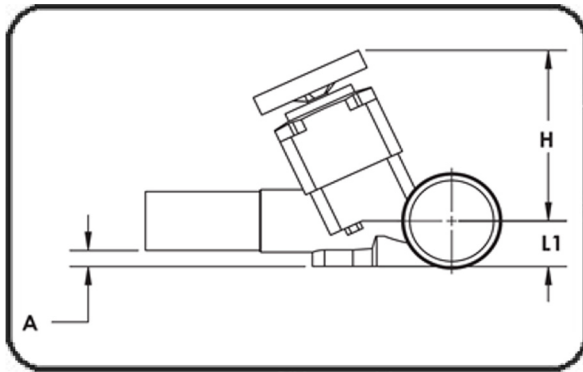
*The most current up-to-date drawings and CAD models can be found at <https://cad.asahi-america.com/>*



T-343 DIAPHRAGM VALVE ZERO DEAD LEG

Size		Dimensions														Part Number
mm	inch	SDR / PN / MOP (psi)	OD1 (in)	OD2 (in)	s1 (in)	z (in)	L (in)	t (in)	t2 (in)	s2 (in)	H (in)	L1 (in)	P (in)	K	Weight (lbs)	
20 x 20	1/2 x 1/2	21 / 10 / 150	0.79	0.79	0.075	5.67	6.46	1.40	2.64	0.075	4.65	0.51	0.98	M6	1.3	1246005
25 x 20	3/4 x 1/2	21 / 10 / 150	0.98	0.79	0.075	5.67	6.46	1.42	2.64	0.075	4.65	0.55	0.98	M6	1.3	1246101
25 x 25	3/4 x 3/4	21 / 10 / 150	0.98	0.98	0.075	5.59	6.46	1.42	2.76	0.075	4.65	0.59	0.98	M6	1.3	1246007
32 x 20	1 x 1/2	21 / 10 / 150	1.26	0.79	0.094	5.91	6.46	1.42	2.28	0.075	5.04	0.67	0.98	M6	1.9	1246130
32 x 25	1 x 3/4	21 / 10 / 150	1.26	0.98	0.094	5.91	6.46	1.42	2.36	0.075	5.04	0.67	0.98	M6	1.9	1246131
32 x 32	1 x 1	21 / 10 / 150	1.26	1.26	0.094	5.91	6.46	1.42	2.40	0.094	5.04	0.71	0.98	M6	2.0	1246010
40 x 20	1-1/4 x 1/2	21 / 10 / 150	1.57	0.79	0.094	6.10	7.24	1.81	2.28	0.075	5.04	0.83	0.98	M6	2.0	1246166
40 x 25	1-1/4 x 3/4	21 / 10 / 150	1.57	0.98	0.094	6.10	7.24	1.81	2.36	0.075	5.04	0.85	0.98	M6	2.0	1246167
40 x 32	1-1/4 x 1	21 / 10 / 150	1.57	1.26	0.094	6.10	7.24	1.81	2.40	0.094	5.04	0.85	0.98	M6	2.1	1246168
40 x 40	1-1/4 x 1-1/4	21 / 10 / 150	1.57	1.57	0.094	9.29	9.33	1.85	4.00	0.094	7.44	0.85	1.77	M8	5.8	1246012
50 x 20	1-1/2 x 1/2	21 / 10 / 150	1.97	0.79	0.118	6.32	7.24	1.81	2.32	0.075	5.04	1.04	0.98	M6	2.2	1246208
50 x 25	1-1/2 x 3/4	21 / 10 / 150	1.97	0.98	0.118	6.32	7.24	1.81	2.36	0.075	5.04	1.04	0.98	M6	2.2	1246210
50 x 32	1-1/2 x 1	21 / 10 / 150	1.97	1.26	0.118	6.30	7.24	1.81	2.40	0.094	5.04	1.04	0.98	M6	2.2	1246211
50 x 40	1-1/2 x 1-1/4	21 / 10 / 150	1.97	1.57	0.118	9.37	9.33	1.83	3.78	0.094	7.87	1.00	1.77	M8	6.6	1246212
50 x 50	1-1/2 x 1-1/2	21 / 10 / 150	1.97	1.97	0.118	9.41	9.37	1.85	3.98	0.118	7.87	1.04	1.77	M8	6.7	1246015
63 x 20	2 x 1/2	21 / 10 / 150	2.48	0.79	0.118	6.61	7.24	1.81	2.28	0.075	5.04	1.30	0.98	M6	2.3	1246246
63 x 25	2 x 3/4	21 / 10 / 150	2.48	0.98	0.118	6.61	7.24	1.81	2.36	0.075	5.04	1.30	0.98	M6	2.3	1246248
63 x 32	2 x 1	21 / 10 / 150	2.48	1.26	0.118	6.61	7.24	1.81	2.40	0.094	5.04	1.30	0.98	M6	2.4	1246249
63 x 40	2 x 1-1/4	21 / 10 / 150	2.48	1.57	0.118	9.53	9.25	1.81	3.48	0.094	7.83	1.30	1.77	M8	6.8	1246250
63 x 50	2 x 1-1/2	21 / 10 / 150	2.48	1.97	0.118	9.53	9.25	1.81	3.66	0.118	7.83	1.30	1.77	M8	6.9	1246251
63 x 63	2 x 2	21 / 10 / 150	2.48	2.48	0.118	9.53	9.25	1.81	3.94	0.118	7.83	1.30	1.77	M8	7.0	1246020
75 x 25	2-1/2 x 3/4	21 / 10 / 150	2.95	0.98	0.142	7.05	8.27	1.30	2.38	0.075	5.24	0.91	0.98	M6	2.7	1246286
75 x 32	2-1/2 x 1	21 / 10 / 150	2.95	1.26	0.142	7.05	8.27	1.30	2.56	0.094	5.24	0.91	0.98	M6	2.8	1246289
75 x 40	2-1/2 x 1-1/4	21 / 10 / 150	2.95	1.57	0.142	9.76	8.27	1.30	3.46	0.094	7.83	1.54	1.77	M8	7.2	1246290
75 x 50	2-1/2 x 1-1/2	21 / 10 / 150	2.95	1.97	0.142	9.76	8.27	1.30	3.66	0.118	7.83	1.54	1.77	M8	7.1	1246291
75 x 63	2-1/2 x 2	21 / 10 / 150	2.95	2.48	0.142	9.76	8.27	1.30	3.94	0.118	7.83	1.54	1.77	M8	7.0	1246292

The most current up-to-date drawings and CAD models can be found at <https://cad.asahi-america.com/>

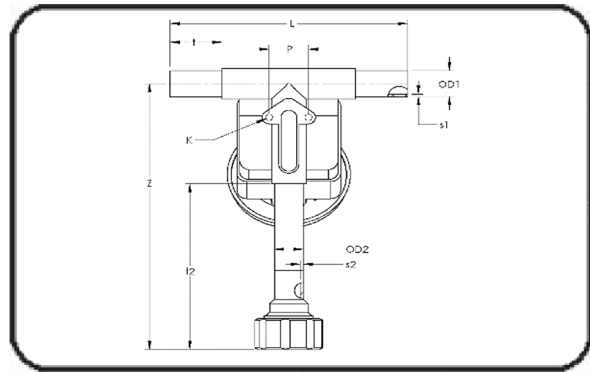
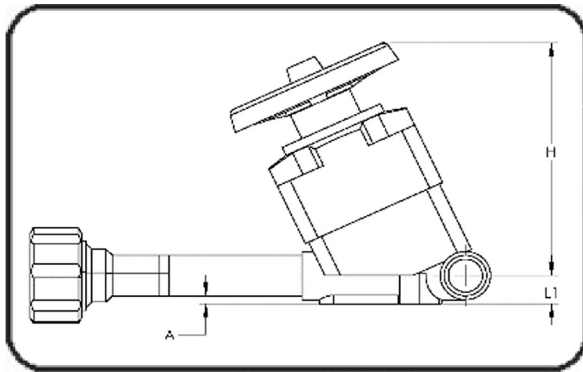


**T-343 DIAPHRAGM VALVE ZERO DEAD LEG (CONT.)**

Size		SDR / PN / MOP (psi)	Dimensions													Weight (lbs)	Part Number
mm	inch		OD1 (in)	OD2 (in)	s1 (in)	z (in)	L (in)	t (in)	t2 (in)	s2 (in)	H (in)	L1 (in)	P (in)	K			
90 x 20	3 x 1/2	21 / 10 / 150	3.54	0.79	0.169	7.40	8.27	1.30	2.28	0.075	5.31	0.93	0.98	M6	2.0	1246332	
90 x 25	3 x 3/4	21 / 10 / 150	3.54	0.98	0.169	7.40	8.27	1.30	2.38	0.075	5.31	0.93	0.98	M6	3.3	1246333	
90 x 32	3 x 1	21 / 10 / 150	3.54	1.26	0.169	7.40	8.27	1.30	2.52	0.094	5.31	0.93	0.98	M6	3.1	1246336	
90 x 40	3 x 1-1/4	21 / 10 / 150	3.54	1.57	0.169	10.04	0.00	1.30	3.46	0.094	7.83	1.83	1.77	M8	7.3	1246335	
90 x 50	3 x 1-1/2	21 / 10 / 150	3.54	1.97	0.169	10.04	8.27	1.30	3.68	0.118	7.83	1.83	1.77	M8	7.5	1246337	
90 x 63	3 x 2	21 / 10 / 150	3.54	2.48	0.169	10.04	8.27	1.30	3.94	0.118	7.83	1.83	1.77	M8	7.4	1246338	
110 x 20	4 x 1/2	21 / 10 / 150	4.33	0.79	0.209	7.68	8.27	1.30	2.17	0.075	5.51	1.32	0.98	M6	3.8	1246399	
110 x 25	4 x 3/4	21 / 10 / 150	4.33	0.98	0.209	7.80	8.27	1.30	2.26	0.075	5.51	1.32	0.98	M6	3.8	1246404	
110 x 32	4 x 1	21 / 10 / 150	4.33	1.26	0.209	7.80	8.27	1.30	2.40	0.094	5.51	1.32	0.98	M6	3.9	1246401	
110 x 40	4 x 1-1/4	21 / 10 / 150	4.33	1.57	0.209	10.51	8.27	1.30	3.48	0.094	7.83	2.22	1.77	M8	8.2	1246412	
110 x 50	4 x 1-1/2	21 / 10 / 150	4.33	1.97	0.209	10.51	8.27	1.30	3.68	0.118	7.83	2.22	1.77	M8	8.2	1246415	
110 x 63	4 x 2	21 / 10 / 150	4.33	2.48	0.209	10.51	8.27	1.30	3.94	0.118	7.83	2.22	1.77	M8	8.3	1246420	
160 x 32	6 x 1	21 / 10 / 150	6.30	1.26	0.303	8.82	8.35	2.05	2.44	0.094	5.67	0.71	0.98	M8	5.8	1246516	
160 x 40	6 x 1-1/4	21 / 10 / 150	6.30	1.57	0.303	11.42	8.35	2.13	3.94	0.118	8.07	1.34	1.77	M6	10.6	1246519	
160 x 50	6 x 1-1/2	21 / 10 / 150	6.30	1.97	0.303	11.42	9.84	2.13	3.94	0.118	8.07	1.34	1.77	M6	10.8	1246523	
160 x 63	6 x 2	21 / 10 / 150	6.30	2.48	0.303	11.42	9.84	2.15	4.00	0.118	8.07	1.34	1.77	M8	11.0	1246530	
90 x 20	3 x 1/2	33 x 21 / 10 / 150	3.54	0.79	0.110	7.40	8.27	1.30	2.28	0.075	5.31	0.93	0.98	M6	2.9	1248332	
90 x 25	3 x 3/4	33 x 21 / 10 / 150	3.54	0.98	0.110	7.40	8.27	1.30	2.38	0.075	5.31	0.93	0.98	M6	2.9	1248333	
90 x 32	3 x 1	33 x 21 / 10 / 150	3.54	1.26	0.110	7.40	8.27	1.30	2.52	0.094	5.31	0.93	0.98	M6	2.9	1248336	
90 x 40	3 x 1-1/4	33 x 21 / 10 / 150	3.54	1.57	0.110	10.04	8.27	1.30	3.46	0.094	7.83	1.83	1.77	M8	7.2	1248335	
90 x 50	3 x 1-1/2	33 x 21 / 10 / 150	3.54	1.97	0.110	10.04	8.27	1.30	3.68	0.118	7.83	1.83	1.77	M8	7.5	1248337	
90 x 63	3 x 2	33 x 21 / 10 / 150	3.54	2.48	0.110	10.04	8.27	1.30	3.94	0.118	7.83	1.83	1.77	M8	7.1	1248338	
110 x 20	4 x 1/2	33 x 21 / 10 / 150	4.33	0.79	0.134	7.56	8.27	1.30	2.17	0.075	5.51	1.32	0.98	M6	3.7	1248399	
110 x 25	4 x 3/4	33 x 21 / 10 / 150	4.33	0.98	0.134	7.80	8.27	1.30	2.26	0.075	5.51	1.32	0.98	M6	3.7	1248404	
110 x 32	4 x 1	33 x 21 / 10 / 150	4.33	1.26	0.134	7.80	8.27	1.30	2.40	0.094	5.51	1.32	0.98	M6	3.6	1248401	
110 x 40	4 x 1-1/4	33 x 21 / 10 / 150	4.33	1.57	0.134	10.51	8.27	1.30	3.48	0.094	7.83	2.22	1.77	M8	8.0	1248412	
110 x 50	4 x 1-1/2	33 x 21 / 10 / 150	4.33	1.97	0.134	10.51	8.27	1.30	3.68	0.118	7.83	2.22	1.77	M8	8.0	1248415	
110 x 63	4 x 2	33 x 21 / 10 / 150	4.33	2.48	0.134	10.51	8.27	1.30	3.94	0.118	7.83	2.22	1.77	M8	8.2	1248420	

6" SDR33 x SDR21 T-343 also available. Please consult factory.

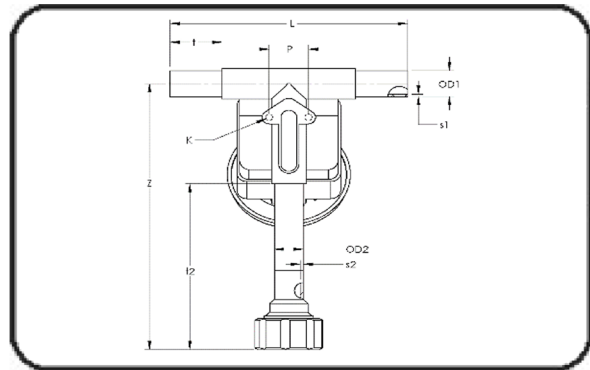
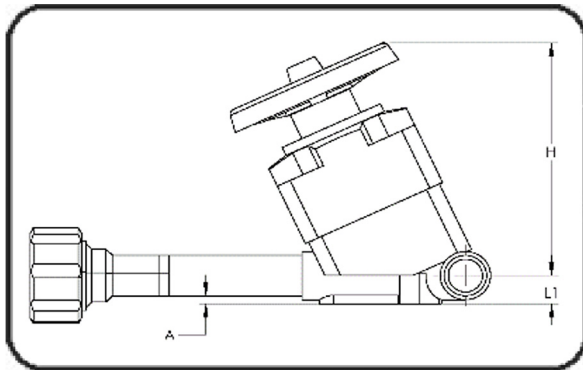
*The most current up-to-date drawings and CAD models can be found at <https://cad.asahi-america.com/>*



**T-343 DIAPHRAGM VALVE ZERO DEAD LEG w/  
MALE UNION & UNION BLANK\***

Size		Dimensions					Part Number
mm	inch	SDR / PN / MOP (psi)	OD1 (in)	OD2 (in)	H (in)	Z (in)	
20 x 20	1/2 x 1/2	21 / 10 / 150	0.79	0.79	0.51	8.13	124601005
25 x 20	3/4 x 1/2	21 / 10 / 150	0.98	0.79	0.55	8.13	124601101
25 x 25	3/4 x 3/4	21 / 10 / 150	0.98	0.98	0.59	8.13	124601007
32 x 20	1 x 1/2	21 / 10 / 150	1.26	0.79	0.67	8.25	124601130
32 x 25	1 x 3/4	21 / 10 / 150	1.26	0.98	0.67	8.38	124601131
32 x 32	1 x 1	21 / 10 / 150	1.26	1.26	0.71	8.63	124601010
40 x 20	1-1/4 x 1/2	21 / 10 / 150	1.57	0.79	0.83	8.50	124601166
40 x 25	1-1/4 x 3/4	21 / 10 / 150	1.57	0.98	0.85	8.63	124601167
40 x 32	1-1/4 x 1	21 / 10 / 150	1.57	1.26	0.85	8.88	124601168
40 x 40	1-1/4 x 1-1/4	21 / 10 / 150	1.57	1.57	0.85	12.13	124601012
50 x 20	1-1/2 x 1/2	21 / 10 / 150	1.97	0.79	1.04	8.75	124601208
50 x 25	1-1/2 x 3/4	21 / 10 / 150	1.97	0.98	1.04	8.88	124601210
50 x 32	1-1/2 x 1	21 / 10 / 150	1.97	1.26	1.04	9.00	124601211
50 x 40	1-1/2 x 1-1/4	21 / 10 / 150	1.97	1.57	1.00	12.13	124601212
50 x 50	1-1/2 x 1-1/2	21 / 10 / 150	1.97	1.97	1.04	12.38	124601015
63 x 20	2 x 1/2	21 / 10 / 150	2.48	0.79	1.30	9.00	124601246
63 x 25	2 x 3/4	21 / 10 / 150	2.48	0.98	1.30	9.13	124601248
63 x 32	2 x 1	21 / 10 / 150	2.48	1.26	1.30	9.38	124601249
63 x 40	2 x 1-1/4	21 / 10 / 150	2.48	1.57	1.30	12.38	124601250
63 x 50	2 x 1-1/2	21 / 10 / 150	2.48	1.97	1.30	12.63	124601251
63 x 63	2 x 2	21 / 10 / 150	2.48	2.48	1.30	12.63	124601020
75 x 25	2-1/2 x 3/4	21 / 10 / 150	2.95	0.98	0.91	9.63	124601286
75 x 32	2-1/2 x 1	21 / 10 / 150	2.95	1.26	0.91	9.75	124601289
75 x 40	2-1/2 x 1-1/4	21 / 10 / 150	2.95	1.57	1.54	12.50	124601290
75 x 50	2-1/2 x 1-1/2	21 / 10 / 150	2.95	1.97	1.54	12.88	124601291
75 x 63	2-1/2 x 2	21 / 10 / 150	2.95	2.48	1.54	12.88	124601292

*The most current up-to-date drawings and CAD models can be found at <https://cad.asahi-america.com/>*

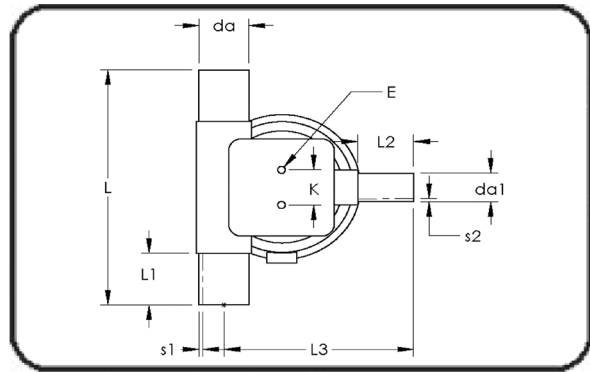
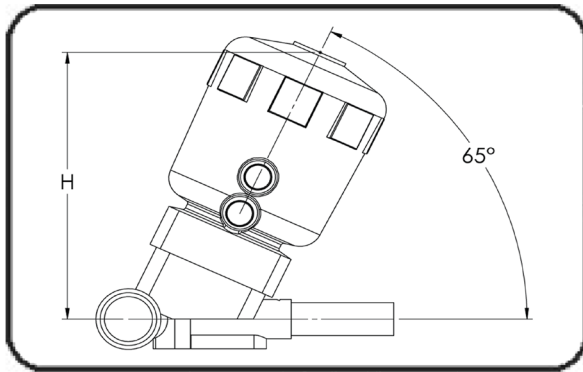


**T-343 DIAPHRAGM VALVE ZERO DEAD LEG w/  
MALE UNION & UNION BLANK (CONT.)\***

Size		Dimensions					Part Number
mm	inch	SDR / PN / MOP (psi)	OD1 (in)	OD2 (in)	H (in)	Z (in)	
90 x 20	3 x 1/2	21 / 10 / 150	3.54	0.79	0.93	9.75	124601332
90 x 25	3 x 3/4	21 / 10 / 150	3.54	0.98	0.93	9.88	124601333
90 x 32	3 x 1	21 / 10 / 150	3.54	1.26	0.93	10.13	124601336
90 x 40	3 x 1-1/4	21 / 10 / 150	3.54	1.57	1.83	12.88	124601335
90 x 50	3 x 1-1/2	21 / 10 / 150	3.54	1.97	1.83	13.13	124601337
90 x 63	3 x 2	21 / 10 / 150	3.54	2.48	1.83	13.25	124601338
110 x 20	4 x 1/2	21 / 10 / 150	4.33	0.79	1.32	10.13	124601399
110 x 25	4 x 3/4	21 / 10 / 150	4.33	0.98	1.32	10.38	124601404
110 x 32	4 x 1	21 / 10 / 150	4.33	1.26	1.32	10.63	124601401
110 x 40	4 x 1-1/4	21 / 10 / 150	4.33	1.57	2.22	13.25	124601412
110 x 50	4 x 1-1/2	21 / 10 / 150	4.33	1.97	2.22	13.63	124601415
110 x 63	4 x 2	21 / 10 / 150	4.33	2.48	2.22	13.63	124601420
160 x 32	6 x 1	21 / 10 / 150	6.30	1.26	0.71	11.63	124601516
160 x 40	6 x 1-1/4	21 / 10 / 150	6.30	1.57	1.34	14.25	124601519
160 x 50	6 x 1-1/2	21 / 10 / 150	6.30	1.97	1.34	14.50	124601523
160 x 63	6 x 2	21 / 10 / 150	6.30	2.48	1.34	14.63	124601530
90 x 20	3 x 1/2	33 x 21 / 10 / 150	3.54	0.79	0.93	9.75	124801332
90 x 25	3 x 3/4	33 x 21 / 10 / 150	3.54	0.98	0.93	9.88	124801333
90 x 32	3 x 1	33 x 21 / 10 / 150	3.54	1.26	0.93	10.13	124801336
90 x 40	3 x 1-1/4	33 x 21 / 10 / 150	3.54	1.57	1.83	12.88	124801335
90 x 50	3 x 1-1/2	33 x 21 / 10 / 150	3.54	1.97	1.83	13.13	124801337
90 x 63	3 x 2	33 x 21 / 10 / 150	3.54	2.48	1.83	13.25	124801338
110 x 20	4 x 1/2	33 x 21 / 10 / 150	4.33	0.79	1.32	10.13	124801399
110 x 25	4 x 3/4	33 x 21 / 10 / 150	4.33	0.98	1.32	10.38	124801404
110 x 32	4 x 1	33 x 21 / 10 / 150	4.33	1.26	1.32	10.63	124801401
110 x 40	4 x 1-1/4	33 x 21 / 10 / 150	4.33	1.57	2.22	13.25	124801412
110 x 50	4 x 1-1/2	33 x 21 / 10 / 150	4.33	1.97	2.22	13.63	124801415
110 x 63	4 x 2	33 x 21 / 10 / 150	4.33	2.48	2.22	13.63	124801420

6" SDR33 x SDR21 T-343 also available. Please consult factory.

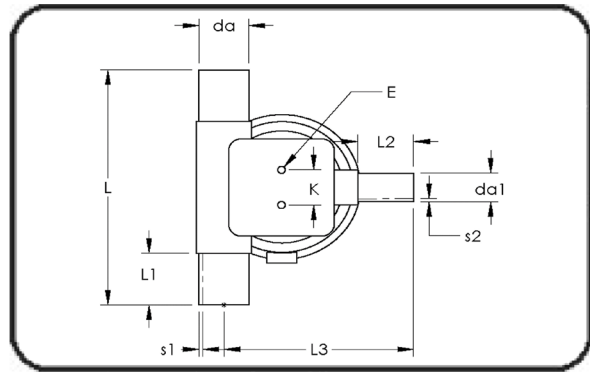
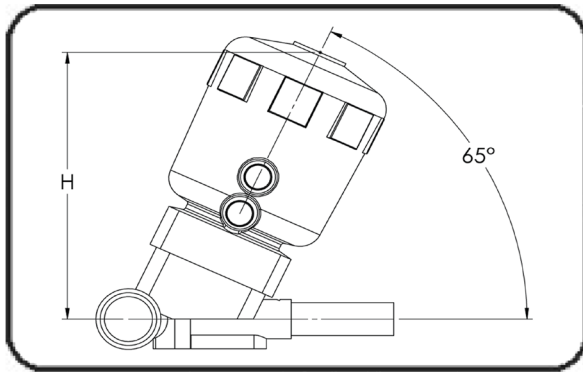
**The most current up-to-date drawings and CAD models can be found at <https://cad.asahi-america.com/>**



## ACTUATED T-343 DIAPHRAGM VALVE ZERO DEAD LEG

Size		Dimensions													Part Number		
mm	inch	SDR / PN / MOP (psi)	OD1 (in)	OD2 (in)	s1 (in)	z (in)	L (in)	t (in)	t2 (in)	s2 (in)	H (in)	L1 (in)	K	Weight (lbs)	N-O	N-C	A-A
20 x 20	1/2 x 1/2	21 / 10 / 150	0.79	0.79	0.075	5.67	6.46	1.42	2.64	0.075	6.65	0.98	M6	3.5	1317005	1342005	1367005
25 x 20	3/4 x 1/2	21 / 10 / 150	0.98	0.79	0.075	5.67	6.46	1.42	2.64	0.075	6.65	0.98	M6	3.6	1317101	1342101	1367101
25 x 25	3/4 x 3/4	21 / 10 / 150	0.98	0.98	0.075	5.67	6.46	1.42	2.76	0.075	6.65	0.98	M6	3.5	1317007	1342007	1367007
32 x 20	1 x 1/2	21 / 10 / 150	1.26	0.79	0.094	5.96	6.46	1.42	2.28	0.075	7.05	0.98	M6	4.7	1317130	1342130	1367130
32 x 25	1 x 3/4	21 / 10 / 150	1.26	0.98	0.094	5.96	6.46	1.42	2.36	0.075	7.05	0.98	M6	4.6	1317131	1342131	1367131
32 x 32	1 x 1	21 / 10 / 150	1.26	1.26	0.094	5.96	6.46	1.42	2.40	0.094	7.05	0.98	M6	4.6	1317010	1342010	1367010
40 x 20	1-1/4 x 1/2	21 / 10 / 150	1.57	0.79	0.094	6.16	7.24	1.81	2.28	0.075	7.05	0.98	M6	4.7	1317166	1342166	1367166
40 x 25	1-1/4 x 3/4	21 / 10 / 150	1.57	0.98	0.094	6.16	7.24	1.81	2.36	0.075	7.05	0.98	M6	4.6	1317167	1342167	1367167
40 x 32	1-1/4 x 1	21 / 10 / 150	1.57	1.26	0.094	6.16	7.24	1.81	2.40	0.094	7.05	0.98	M6	4.6	1317168	1342168	1367168
40 x 40	1-1/4 x 1-1/4	21 / 10 / 150	1.57	1.57	0.094	9.29	9.25	1.81	3.66	0.094	10.91	1.77	M6	15.7	1317012	1342012	1367012
50 x 20	1-1/2 x 1/2	21 / 10 / 150	1.97	0.79	0.118	6.32	7.24	1.81	2.32	0.075	7.05	0.98	M6	4.8	1317208	1342208	1367208
50 x 25	1-1/2 x 3/4	21 / 10 / 150	1.97	0.98	0.118	6.32	7.24	1.81	2.36	0.075	7.05	0.98	M6	4.8	1317210	1342210	1367210
50 x 32	1-1/2 x 1	21 / 10 / 150	1.97	1.26	0.118	6.32	7.24	1.81	2.40	0.094	7.05	0.98	M6	4.4	1317211	1342211	1367211
50 x 40	1-1/2 x 1-1/4	21 / 10 / 150	1.97	1.57	0.118	9.37	9.33	1.83	3.78	0.094	11.17	1.77	M8	17.5	1317212	1342212	1367212
50 x 50	1-1/2 x 1-1/2	21 / 10 / 150	1.97	1.97	0.118	9.37	9.25	1.81	3.66	0.118	11.34	1.77	M6	16.3	1317015	1342015	1367015
63 x 20	2 x 1/2	21 / 10 / 150	2.48	0.79	0.118	6.61	7.24	1.81	2.28	0.075	7.05	0.98	M6	5.0	1317246	1342246	1367246
63 x 25	2 x 3/4	21 / 10 / 150	2.48	0.98	0.118	6.61	7.24	1.81	2.36	0.075	7.05	0.98	M6	5.0	1317248	1342248	1367248
63 x 32	2 x 1	21 / 10 / 150	2.48	1.26	0.118	6.61	7.24	1.81	2.40	0.094	7.05	0.98	M6	5.0	1317249	1342249	1367249
63 x 40	2 x 1-1/4	21 / 10 / 150	2.48	1.57	0.118	9.57	9.29	1.81	3.48	0.094	11.26	1.77	M8	15.7	1317250	1342250	1367250
63 x 50	2 x 1-1/2	21 / 10 / 150	2.48	1.97	0.118	9.57	9.29	1.81	3.68	0.118	11.26	1.77	M8	15.7	1317251	1342251	1367251
63 x 63	2 x 2	21 / 10 / 150	2.48	2.48	0.118	9.53	9.29	1.81	3.94	0.118	11.26	1.77	M8	16.5	1317020	1342020	1367020
75 x 25	2-1/2 x 3/4	21 / 10 / 150	2.95	0.98	0.142	7.05	8.27	1.30	2.38	0.000	7.24	0.98	M6	5.4	1317286	1342286	1367286
75 x 32	2-1/2 x 1	21 / 10 / 150	2.95	1.26	0.142	7.05	8.27	1.30	2.56	0.094	7.24	0.98	M6	5.4	1317289	1342289	1367289
75 x 40	2-1/2 x 1-1/4	21 / 10 / 150	2.95	1.57	0.142	9.76	8.27	1.30	3.46	0.094	11.18	1.77	M8	16.0	1317290	1342290	1367290
75 x 50	2-1/2 x 1-1/2	21 / 10 / 150	2.95	1.97	0.142	9.76	8.27	1.30	3.68	0.118	11.18	1.77	M8	16.0	1317291	1342291	1367291
75 x 63	2-1/2 x 2	21 / 10 / 150	2.95	2.48	0.142	9.76	8.27	1.30	3.94	0.118	11.18	1.77	M8	17.4	1317292	1342292	1367292

The most current up-to-date drawings and CAD models can be found at <https://cad.asahi-america.com/>

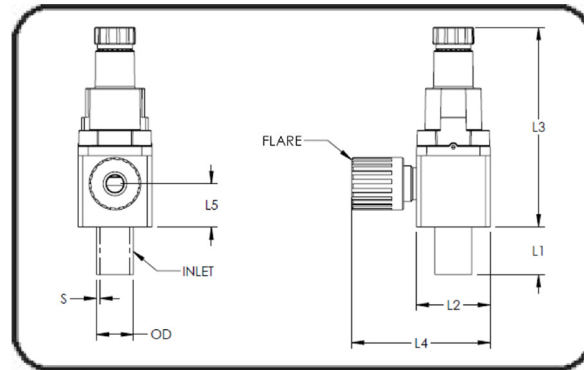


## ACTUATED T-343 DIAPHRAGM VALVE ZERO DEAD LEG (CONT.)

Size		Dimensions													Part Number		
mm	inch	SDR / PN / MOP (psi)	OD1 (in)	OD2 (in)	s1 (in)	z (in)	L (in)	t (in)	t2 (in)	s2 (in)	H (in)	L1 (in)	K	Weight (lbs)	N-O	N-C	A-A
90 x 32	3 x 1	21 / 10 / 150	3.54	1.26	0.169	7.40	8.27	1.30	2.52	0.094	7.36	0.98	M6	5.8	1317336	1342336	1367336
90 x 40	3 x 1-1/4	21 / 10 / 150	3.54	1.57	0.169	10.00	8.27	1.30	3.48	0.094	11.26	1.77	M8	16.4	1317335	1342335	1367335
90 x 50	3 x 1-1/2	21 / 10 / 150	3.54	1.97	0.169	10.04	8.27	1.30	3.68	0.118	11.26	1.77	M8	16.4	1317337	1342337	1367337
90 x 63	3 x 2	21 / 10 / 150	3.54	2.48	0.169	10.04	8.27	1.30	3.94	0.118	11.26	1.77	M8	16.3	1317338	1342338	1367338
110 x 20	4 x 1/2	21 / 10 / 150	4.33	0.79	0.209	7.80	8.27	1.30	2.26	0.075	7.52	0.98	M6	6.6	1317399	1342399	1367399
110 x 25	4 x 3/4	21 / 10 / 150	4.33	0.98	0.209	7.80	0.00	1.30	2.26	0.075	7.52	0.98	M6	2.3	1317404	1342404	1367404
110 x 32	4 x 1	21 / 10 / 150	4.33	1.26	0.209	7.80	8.27	1.30	2.40	0.094	7.52	0.98	M6	6.5	1317401	1342401	1367401
110 x 40	4 x 1-1/4	21 / 10 / 150	4.33	1.57	0.209	10.51	8.27	1.30	3.68	0.094	11.26	1.77	M8	17.1	1317412	1342412	1367412
110 x 50	4 x 1-1/2	21 / 10 / 150	4.33	1.97	0.209	10.51	8.27	1.30	3.68	0.118	11.26	1.77	M8	17.1	1317415	1342415	1367415
110 x 63	4 x 2	21 / 10 / 150	0.00	2.48	0.209	10.51	8.27	1.30	3.94	0.118	11.26	1.77	M8	16.8	1317420	1342420	1367420
160 x 32	6 x 1	21 / 10 / 150	6.30	1.26	0.303	8.86	8.35	2.01	2.44	0.094	7.21	0.98	M8	20.0	1317516	1342516	1367516
160 x 40	6 x 1-1/4	21 / 10 / 150	6.30	1.57	0.303	11.42	9.84	2.13	3.94	0.118	10.57	1.77	M6	22.5	1317519	1342519	1367519
160 x 50	6 x 1-1/2	21 / 10 / 150	6.30	1.97	0.303	11.42	9.84	2.13	3.94	0.118	10.57	1.77	M6	25.0	1317523	1342523	1367523
160 x 63	6 x 2	21 / 10 / 150	6.30	2.48	0.303	11.42	9.84	2.13	3.94	0.118	10.57	1.77	M8	22.4	1317530	1342530	1367530
90 x 20	3 x 1/2	33 x 21 / 10 / 150	3.54	0.79	0.169	7.40	8.27	1.30	2.38	0.075	7.36	0.98	M6	5.6	1316332	1344332	1369332
90 x 25	3 x 3/4	33 x 21 / 10 / 150	3.54	0.98	0.110	7.40	8.27	1.30	2.38	0.075	7.36	0.98	M6	5.6	1316333	1344333	1369333
90 x 32	3 x 1	33 x 21 / 10 / 150	3.54	1.26	0.110	7.40	8.27	1.30	2.52	0.094	7.36	0.98	M6	5.6	1316336	1344336	1369336
90 x 40	3 x 1-1/4	33 x 21 / 10 / 150	3.54	1.57	0.110	10.00	8.27	1.30	3.48	0.094	11.26	1.77	M8	16.2	1316335	1344335	1369335
90 x 50	3 x 1-1/2	33 x 21 / 10 / 150	3.54	1.97	0.110	10.04	8.27	1.30	3.68	0.118	11.26	1.77	M8	16.2	1316337	1344337	1369337
90 x 63	3 x 2	33 x 21 / 10 / 150	3.54	2.48	0.110	10.04	8.27	1.30	3.94	0.118	11.26	1.77	M8	16.1	1316338	1344338	1369338
110 x 20	4 x 1/2	33 x 21 / 10 / 150	4.33	0.79	0.134	7.80	8.27	1.30	2.26	0.075	7.52	0.98	M6	6.3	1316399	1344399	1369399
110 x 25	4 x 3/4	33 x 21 / 10 / 150	4.33	0.98	0.134	7.80	8.27	1.30	2.26	0.075	7.52	0.98	M6	6.2	1316404	1344404	1369404
110 x 32	4 x 1	33 x 21 / 10 / 150	4.33	1.26	0.134	7.80	8.27	1.30	2.40	0.094	7.52	0.98	M6	6.2	1316401	1344401	1369401
110 x 40	4 x 1-1/4	33 x 21 / 10 / 150	4.33	1.57	0.134	10.51	8.27	1.30	3.68	0.094	11.26	1.77	M8	16.8	1316412	1344412	1369412
110 x 50	4 x 1-1/2	33 x 21 / 10 / 150	4.33	1.97	0.134	10.51	8.27	1.30	3.68	0.118	11.26	1.77	M8	16.8	1316415	1344415	1369415
110 x 63	4 x 2	33 x 21 / 10 / 150	4.33	2.48	0.134	10.51	8.27	1.30	3.94	0.118	11.26	1.77	M8	16.5	1316420	1344420	1369420

Actuated T-343 valves are non-returnable / non-cancellable.

*The most current up-to-date drawings and CAD models can be found at <https://cad.asahi-america.com/>*

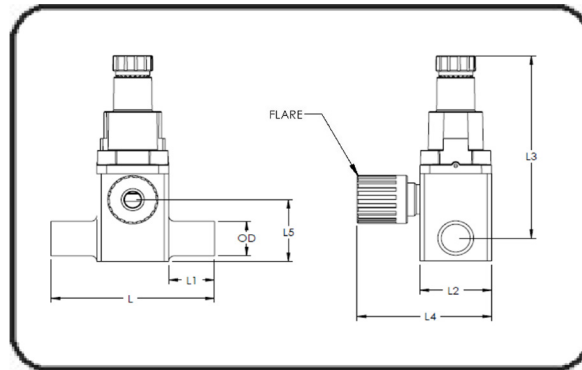


**MPV SAMPLING VALVE WITH PUSH-2-LOCK™ HANDLE w/ FLARE**

Size			Dimensions									Part Number
mm	inch	Flare (in)	Inlet	SDR / PN / MOP (psi)	s (in)	L1 (in)	L2 (in)	L3 (in)	L4 (in)	L5 (in)	Weight (lbs)	
20	1/2	1/4"	Spigot	21 / 6 / 100	0.075	1.00	1.58	4.19	2.67	0.91	0.23	548101096
20	1/2	1/2"	Spigot	21 / 6 / 100	0.075	1.00	1.58	4.19	2.95	0.91	0.23	548101005
20	1/2	1/4"	MNPT	21 / 6 / 100	0.075	-	1.58	4.19	2.67	0.91	0.23	548102096
20	1/2	1/2"	MNPT	21 / 6 / 100	0.075	-	1.58	4.19	2.95	0.91	0.23	548102005

*The most current up-to-date drawings and CAD models can be found at <https://cad.asahi-america.com/>*



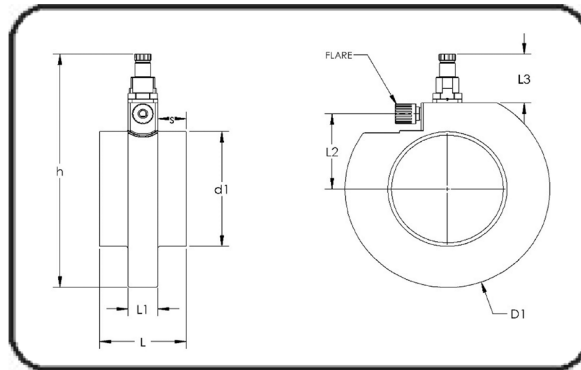


**MPV INLINE SAMPLING VALVE WITH PUSH-2-LOCK™ HANDLE\***

Size			Dimensions									Part Number
mm	inch	Flare (in)	SDR / PN / MOP (psi)	s (in)	L (in)	L1 (in)	L2 (in)	L3 (in)	L4 (in)	L5 (in)	Weight (lbs)	
20	1/2	1/4	21 / 6 / 100	0.075	2.60	1.00	1.58	4.17	2.67	1.41	0.48	549902096
20	1/2	1/2	21 / 6 / 100	0.075	2.60	1.00	1.58	4.17	2.95	1.41	0.48	549902005
25	3/4	1/4	21 / 6 / 100	0.075	2.60	1.00	1.58	4.27	2.67	1.61	0.60	549902103
25	3/4	1/2	21 / 6 / 100	0.075	2.60	1.00	1.58	4.27	2.95	1.61	0.60	549902101
32	1	1/4	21 / 6 / 100	0.094	2.60	1.00	1.58	4.41	2.67	1.88	0.77	549902104
32	1	1/2	21 / 6 / 100	0.094	2.60	1.00	1.58	4.41	2.95	1.88	0.77	549902130
40	1-1/4	1/4	21 / 6 / 100	0.094	2.60	1.00	1.58	4.57	2.67	2.20	1.00	549902159
40	1-1/4	1/2	21 / 6 / 100	0.094	2.60	1.00	1.58	4.57	2.95	2.20	1.00	549902166
50	1-1/2	1/4	21 / 6 / 100	0.118	2.60	1.00	1.58	4.76	2.67	2.59	1.20	549902207
50	1-1/2	1/2	21 / 6 / 100	0.118	2.60	1.00	1.58	4.76	2.95	2.59	1.20	549902205

\*PVDF body, PTFE diaphragm

*The most current up-to-date drawings and CAD models can be found at <https://cad.asahi-america.com/>*

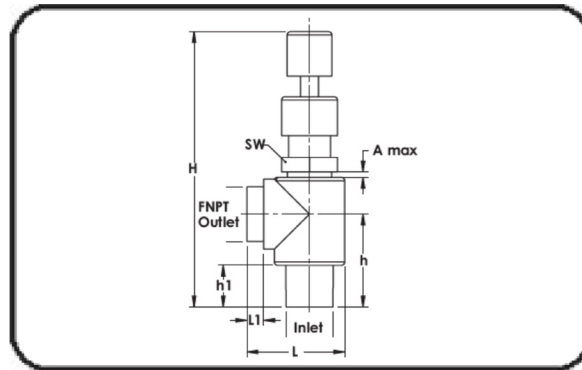


**MPV SAMPLING INLINE VALVE WITH PUSH-2-LOCK™ HANDLE\***

Size			Dimensions									Part Number
mm	inch	Flare (in)	SDR / PN / MOP (psi)	S (in)	h (in)	L (in)	L1 (in)	L2 (in)	L3 (in)	D1 (in)	Weight (lbs)	
63	2	1/4"	21 / 6 / 100	0.118	7.80	4.58	1.58	2.22	2.70	5.25	1.86	549902244
63	2	1/2"	21 / 6 / 100	0.118	7.80	4.58	1.58	2.22	2.70	5.25	1.86	549902246
75	2-1/2	1/4"	21 / 6 / 100	0.142	8.45	4.58	1.58	2.46	2.70	5.91	2.35	549902283
75	2-1/2	1/2"	21 / 6 / 100	0.142	8.45	4.58	1.58	2.46	2.70	5.91	2.35	549902285
90	3	1/4"	21 / 6 / 100	0.169	9.09	4.58	1.58	2.76	2.70	6.89	2.85	549202330
90	3	1/2"	21 / 6 / 100	0.169	9.09	4.58	1.58	2.76	2.70	6.89	2.85	549202332
110	4	1/4"	21 / 6 / 100	0.209	10.96	4.58	1.58	3.15	2.70	7.93	4.79	549202402
110	4	1/2"	21 / 6 / 100	0.209	10.96	4.58	1.58	3.15	2.70	7.93	4.79	549202399
160	6	1/4"	21 / 6 / 100	0.303	12.84	4.58	1.58	4.13	2.70	10.83	6.73	549202509
160	6	1/2"	21 / 6 / 100	0.303	12.84	4.58	1.58	4.13	2.70	10.83	6.73	549202512
200	8	1/4"	21 / 6 / 100	0.378	14.41	4.58	1.58	4.92	2.70	13.39	8.50	549202565
200	8	1/2"	21 / 6 / 100	0.378	14.41	4.58	1.58	4.92	2.70	13.39	8.50	549202569
225	9	1/4"	21 / 6 / 100	0.425	15.39	4.58	1.58	5.41	2.70	13.07	9.56	549202598
225	9	1/2"	21 / 6 / 100	0.425	15.39	4.58	1.58	5.41	2.70	13.07	9.56	549202599
250	10	1/4"	21 / 6 / 100	0.469	16.37	4.58	1.58	5.90	2.70	14.62	10.62	549202619
250	10	1/2"	21 / 6 / 100	0.469	16.37	4.58	1.58	5.90	2.70	16.24	10.62	549202621
90	3	1/4"	33 / 6 / 100	0.110	9.09	4.58	1.58	2.76	2.70	6.89	2.85	549902330
90	3	1/2"	33 / 6 / 100	0.110	9.09	4.58	1.58	2.76	2.70	6.89	2.85	549902332
110	4	1/4"	33 / 6 / 100	0.134	10.96	4.58	1.58	3.15	2.70	7.93	4.79	549902402
110	4	1/2"	33 / 6 / 100	0.134	10.96	4.58	1.58	3.15	2.70	7.93	4.79	549902399
160	6	1/4"	33 / 6 / 100	0.193	12.84	4.58	1.58	4.13	2.70	10.83	6.73	549902509
160	6	1/2"	33 / 6 / 100	0.193	12.84	4.58	1.58	4.13	2.70	10.83	6.73	549902512
200	8	1/4"	33 / 6 / 100	0.244	14.41	4.58	1.58	4.92	2.70	13.39	8.50	549902565
200	8	1/2"	33 / 6 / 100	0.244	14.41	4.58	1.58	4.92	2.70	13.39	8.50	549902569
225	9	1/4"	33 / 6 / 100	0.272	15.39	4.58	1.58	5.41	2.70	13.07	9.56	549902598
225	9	1/2"	33 / 6 / 100	0.272	15.39	4.58	1.58	5.41	2.70	13.07	9.56	549902599
250	10	1/4"	33 / 6 / 100	0.303	16.37	4.58	1.58	5.90	2.70	14.62	10.62	549902619
250	10	1/2"	33 / 6 / 100	0.303	16.37	4.58	1.58	5.90	2.70	16.24	10.62	549902621

\*PVDF body, PTFE diaphragm

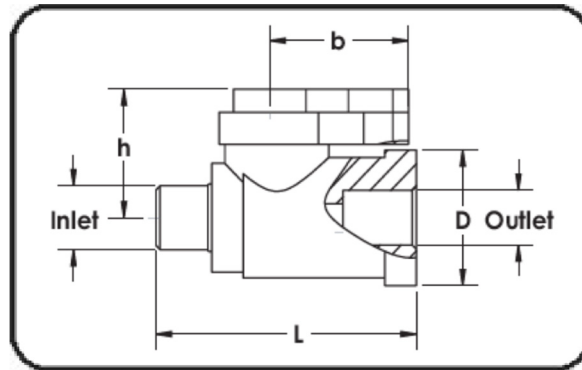
*The most current up-to-date drawings and CAD models can be found at <https://cad.asahi-america.com/>*



**ANGLE NEEDLE VALVE**

Size		Dimensions									Part Number
Inlet	Outlet	SDR / PN / MOP (psi)	D (in)	H (in)	h (in)	A max (in)	L (in)	L1 (in)	SW (in)	Weight (lbs)	
20mm Butt	1/2" FNPT	21 / 10 / 150	1.18	4.67	1.38	0.35	1.97	0.55	1.06	0.2	5482005
1/4" MNPT	1/4" FNPT	21 / 10 / 150	0.79	3.72	1.16	0.28	1.48	0.31	0.81	0.2	5480002
1/2" MNPT	1/2" FNPT	21 / 10 / 150	1.18	4.63	1.34	0.35	1.97	0.55	1.06	0.2	5480005

*The most current up-to-date drawings and CAD models can be found at <https://cad.asahi-america.com/>*

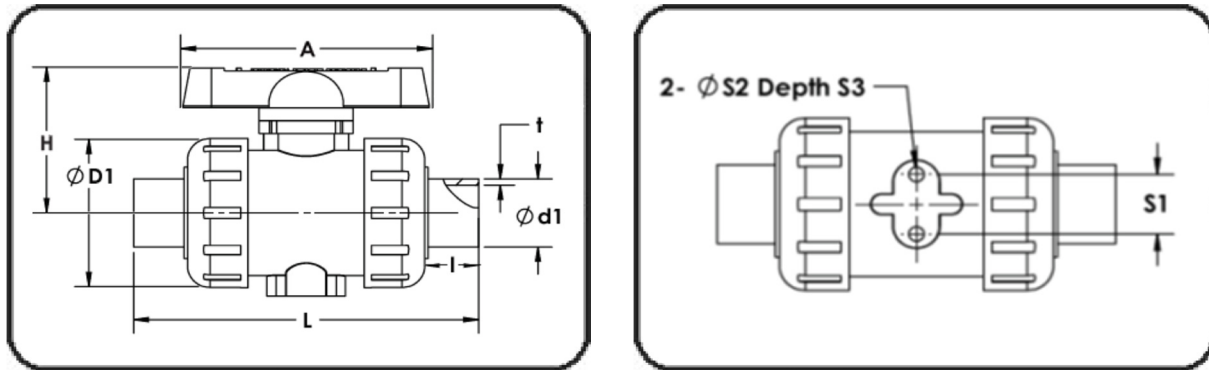


**SAMPLING BALL VALVE**

Size		Dimensions						Part Number
Inlet	Outlet	PN / MOP (psi)	D (in)	L (in)	h (in)	b (in)	Weight (lbs)	
1/4"MNPT	1/4" FNPT*	10 / 150	1.10	2.20	1.04	1.17	0.13	1068003

\*Also includes outlet nipple adapters for 1/4" MNPT and hose barb.  
Ideal for use with an instrumentation fitting.

*The most current up-to-date drawings and CAD models can be found at <https://cad.asahi-america.com/>*

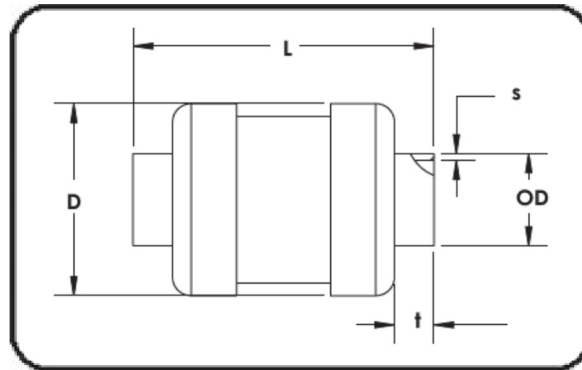


**TYPE-21 BALL VALVE**

Size		Dimensions												Part Number
mm	inch	SDR / PN / MOP (psi)	D1 (in)	d1 (in)	l (in)	t (in)	L (in)	S1 (in)	S2 (in)	S3 (in)	A (in)	H (in)	Weight (lbs)	
20	1/2	21 / 16 / 230	1.89	0.79	0.73	0.075	4.88	0.75	0.29	0.43	3.60	2.03	0.50	1067005
25	3/4	21 / 16 / 230	2.36	0.98	0.87	0.075	5.67	0.75	0.29	0.43	3.94	2.34	0.80	1067007
32	1	21 / 16 / 230	2.76	1.26	0.87	0.094	6.06	0.75	0.29	0.43	4.33	2.68	1.1	1067010
40	1-1/4	21 / 16 / 230	3.23	1.58	1.02	0.094	6.85	1.18	0.35	0.59	4.76	3.17	2.3	1067012
50	1-1/2	21 / 16 / 230	3.94	1.97	1.26	0.118	7.64	1.18	0.35	0.59	5.16	3.50	2.5	1067015
63	2	21 / 16 / 230	4.96	2.48	1.41	0.118	8.82	1.18	0.35	0.59	6.26	4.04	2.7	1067020

Supplied cleaned and bagged.  
 Specialty connections required for beadless fusion, additional charges apply.

*The most current up-to-date drawings and CAD models can be found at <https://cad.asahi-america.com/>*

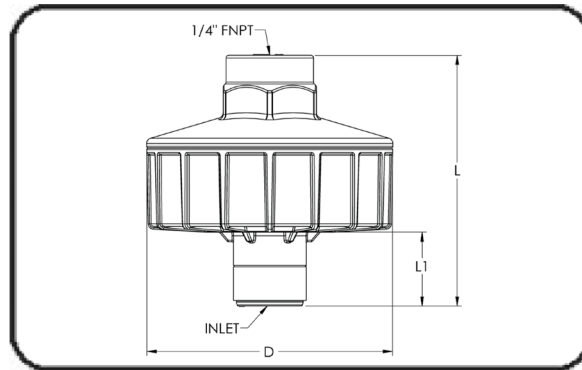


**BALL CHECK VALVE**

Size		Dimensions						Part Number
mm	inch	SDR / PN / MOP (psi)	D (in)	L (in)	t (in)	s (in)	Weight (lbs)	
20	1/2	21 / 10 / 150	1.87	4.00	1.67	0.10	0.35	1208005
25	3/4	21 / 10 / 150	2.28	4.35	1.75	0.11	0.59	1208007
32	1	21 / 10 / 150	2.55	4.75	1.75	0.12	0.88	1208010
40	1-1/4	21 / 10 / 150	3.12	5.57	1.88	0.14	2.05	1208012
50	1-1/2	21 / 10 / 150	3.57	5.75	1.95	0.18	2.05	1208015
63	2	21 / 10 / 150	4.36	6.50	1.97	0.23	2.78	1208020

Supplied cleaned and bagged.  
 Specialty connections required for beadless fusion, additional charges apply.

*The most current up-to-date drawings and CAD models can be found at <https://cad.asahi-america.com/>*

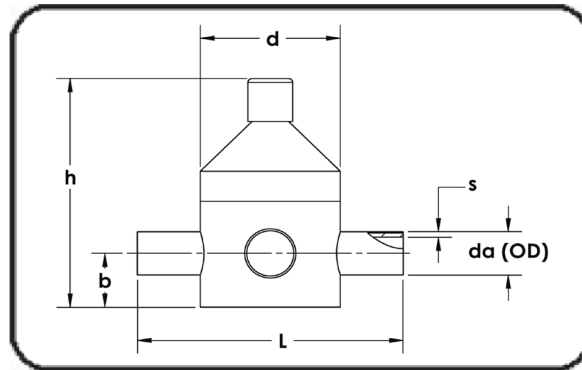


**Z801 GAUGE GUARD**

Size	Dimensions								Part Number
Inlet	SDR / PN / MOP (psi)	D (in)	L (in)	L1 (in)	da (in)	s1 (in)	SW (in)	Weight (lbs)	
1/4" FNPT	21 / 10 / 150	3.33	4.02	1.00	0.99	-	1.25	0.60	17801303
1/2" FNPT	21 / 10 / 150	3.33	4.02	1.00	1.27	-	1.25	0.60	17801304
25mm Butt	21 / 10 / 150	3.33	4.67	1.65	0.98	0.08	1.25	0.60	17801305
32mm Butt	21 / 10 / 150	3.33	4.67	1.65	1.26	0.09	1.25	0.60	17801306

Gauge not included.

*The most current up-to-date drawings and CAD models can be found at <https://cad.asahi-america.com/>*



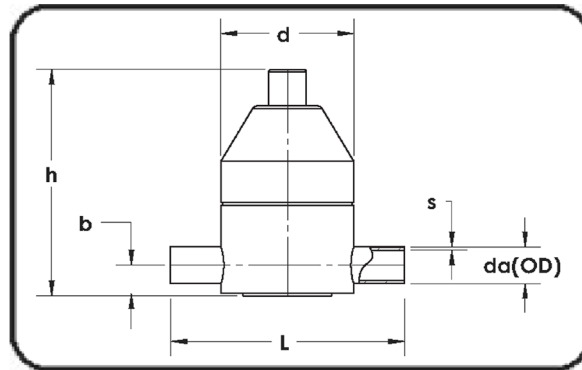
**T-241 PRESSURE REGULATOR WITH GAUGE GUARD**

Size		Dimensions								Part Number
mm	inch	SDR / PN / MOP (psi)	da(OD) (in)	s (in)	L (in)	d (in)	h (in)	b (in)	Weight (lbs)	
20	1/2	21 / 10 / 150	0.79	0.075	5.91	2.76	5.12	1.18	2.3	1947005
25	3/4	21 / 10 / 150	0.98	0.075	7.48	3.94	6.69	1.57	3.7	1947007
32	1	21 / 10 / 150	1.26	0.094	7.48	3.94	6.69	1.57	3.6	1947010
40	1-1/4	21 / 10 / 150	1.57	0.094	9.45	5.12	9.06	2.17	8.7	1947012
50	1-1/2	21 / 10 / 150	1.97	0.118	9.45	5.12	9.06	2.17	8.5	1947015
63	2	21 / 10 / 150	2.48	0.118	10.24	6.10	11.22	2.95	11.6	1947020
75	2-1/2	21 / 6 / 90	2.95	0.142	11.81	7.48	13.78	3.94	29.4	1947025

Includes stainless steel pressure gauge.

*The most current up-to-date drawings and CAD models can be found at <https://cad.asahi-america.com/>*

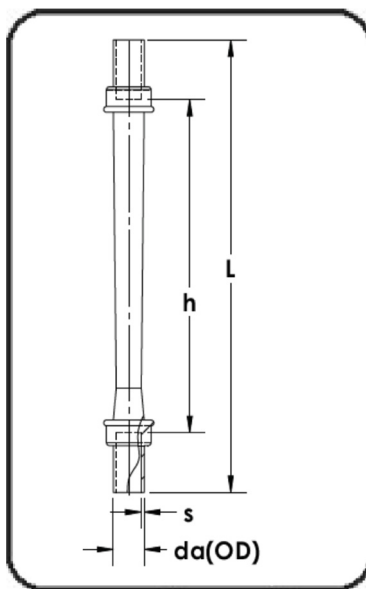




**V186 BACK PRESSURE REGULATOR**

Size		Dimensions								Part Number
mm	inch	SDR / PN / MOP (psi)	da(OD) (in)	s (in)	L (in)	d (in)	h (in)	b (in)	Weight (lbs)	
20	1/2	21 / 10 / 150	0.79	0.07	6.22	3.27	5.39	0.79	1.3	540244005
25	3/4	21 / 10 / 150	0.98	0.07	6.22	3.27	5.39	0.79	1.3	540244007
32	1	21 / 10 / 150	1.26	0.09	7.80	4.41	7.83	1.06	3.2	540244010
40	1-1/4	21 / 10 / 150	1.57	0.09	7.95	4.41	7.83	1.06	3.5	540244012
50	1-1/2	21 / 10 / 150	1.97	0.12	10.08	6.50	11.42	1.69	17.6	540244015
63	2	21 / 10 / 150	2.48	0.12	10.08	6.50	11.42	1.69	15.8	540244020

*The most current up-to-date drawings and CAD models can be found at <https://cad.asahi-america.com/>*



**M335 FLOWMETER**

Size		Dimensions							Part Number
mm	inch	Flow Rate	SDR / PN / MOP (psi)	da(OD) (in)	L (in)	h (in)	s (in)	Weight (lbs)	
20	1/2	0.44 - 4.4 GPM (100 - 1000 LPH)	21 / 10 / 150	0.79	16.39	13.19	0.075	1.1	540247010
25	3/4	0.44 - 4.4 GPM (100 - 1000 LPH)	21 / 10 / 150	0.98	16.39	13.19	0.091	1.1	540247011
25	3/4	0.88 - 8.8 GPM (200 - 2000 LPH)	21 / 10 / 150	0.98	16.39	13.19	0.091	2.7	540247012
32	1	0.88 - 8.8 GPM (200 - 2000 LPH)	21 / 10 / 150	1.26	16.39	13.19	0.114	2.7	540247013
25	3/4	1.1 - 11 GPM (250 - 2500 LPH)	21 / 10 / 150	0.98	16.39	13.19	0.091	1.3	540247014
32	1	1.1 - 11 GPM (250 - 2500 LPH)	21 / 10 / 150	1.26	16.39	13.19	0.114	1.3	540247015
32	1	1.32 - 13.2 GPM (300 - 3000 LPH)	21 / 10 / 150	1.26	16.39	13.19	0.114	2.7	540247016
40	1-1/4	1.32 - 13.2 GPM (300 - 3000 LPH)	21 / 10 / 150	1.58	16.39	13.19	0.146	2.7	540247017
40	1-1/4	2.64 - 26.4 GPM (600 - 6000 LPH)	21 / 10 / 150	1.58	16.39	13.19	0.146	2.7	540247018
50	1-1/2	2.64 - 26.4 GPM (600 - 6000 LPH)	21 / 10 / 150	1.97	16.39	13.19	0.181	2.7	540247019
63	2	2.64 - 26.4 GPM (600 - 6000 LPH)	21 / 10 / 150	2.48	16.39	13.19	0.228	2.7	540247020
50	1-1/2	4.4 - 44 GPM (1000 - 10000 LPH)	21 / 10 / 150	1.97	16.59	13.19	0.181	2.7	540247021
63	2	4.4 - 44 GPM (1000 - 10000 LPH)	21 / 10 / 150	2.48	16.59	13.19	0.228	2.7	540247022
63	2	6.6 - 66 GPM (1500 - 15000 LPH)	21 / 10 / 150	2.48	16.59	13.19	0.228	4.0	540247024
63	2	8.8 - 88 GPM (2000 - 20000 LPH)	21 / 10 / 150	2.48	16.79	13.19	0.228	6.4	540247027
75	2-1/2	8.8 - 88 GPM (2000 - 20000 LPH)	21 / 10 / 150	2.95	16.79	13.19	0.268	6.4	540247028
90	3	8.8 - 88 GPM (2000 - 20000 LPH)	21 / 10 / 150	3.54	16.79	13.19	0.169	6.4	540247029
75	2-1/2	13.2 - 132 GPM (3000 - 30000 LPH)	21 / 10 / 150	2.95	16.79	13.19	0.268	6.4	540247031
90	3	13.2 - 132 GPM (3000 - 30000 LPH)	21 / 10 / 150	3.54	16.79	13.19	0.169	6.4	540247032

*The most current up-to-date drawings and CAD models can be found at <https://cad.asahi-america.com/>*