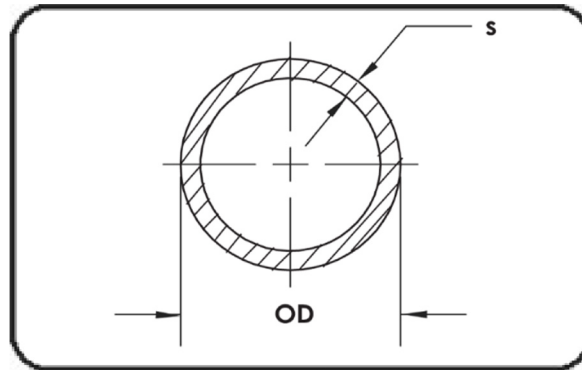




PP-Pure[®] High Purity Piping System Dimensional Guide



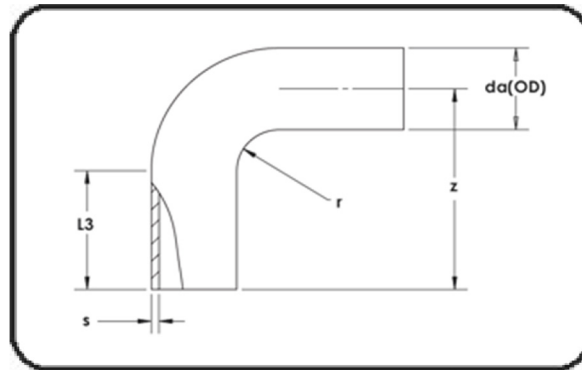
Rev. 12/2024



PIPE

Size		Dimensions				Part Number
mm	inch	SDR / PN / MOP (psi)	OD (in)	s (in)	Weight (lbs/ft)	
20	1/2	11 / 10 / 150	0.79	0.075	0.24	9101005
25	3/4	11 / 10 / 150	0.98	0.091	0.36	9101007
32	1	11 / 10 / 150	1.26	0.114	0.57	9101010
40	1-1/4	11 / 10 / 150	1.57	0.146	0.91	9101012
50	1-1/2	11 / 10 / 150	1.97	0.181	1.41	9101015
63	2	11 / 10 / 150	2.48	0.228	2.22	9101020
75	2-1/2	11 / 10 / 150	2.95	0.268	3.10	9101025
90	3	11 / 10 / 150	3.54	0.323	4.48	9101030
110	4	11 / 10 / 150	4.33	0.394	6.64	9101040
160	6	11 / 10 / 150	6.30	0.575	14.08	9101060
200	8	11 / 10 / 150	7.87	0.717	21.93	9101080
225	9	11 / 10 / 150	8.86	0.807	27.75	9101090
250	10	11 / 10 / 150	9.84	0.894	34.12	9101100
315	12	11 / 10 / 150	12.40	1.126	54.13	9101120

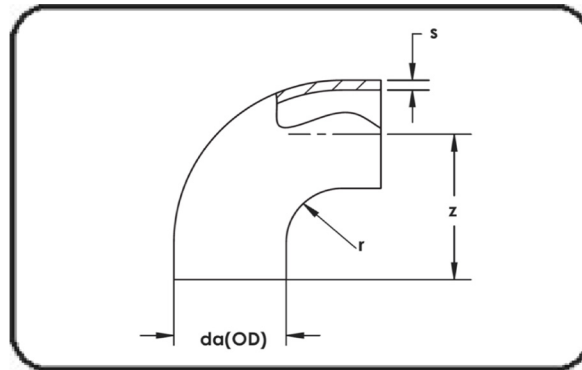
The most current up-to-date drawings and CAD models can be found at <https://cad.asahi-america.com/>



EXTENDED LEG 90 DEGREE ELBOW

Size		Dimensions							Part Number
mm	inch	SDR / PN / MOP (psi)	OD (in)	s (in)	z (in)	r (in)	L3 (in)	Weight (lbs)	
20	1/2	11 / 10 / 150	0.79	0.075	2.36	0.79	1.57	0.03	9102005
25	3/4	11 / 10 / 150	0.98	0.091	2.70	0.98	1.67	0.05	9102007
32	1	11 / 10 / 150	1.26	0.114	3.11	1.26	1.85	0.11	9102010
40	1-1/4	11 / 10 / 150	1.57	0.146	3.64	1.57	2.05	0.16	9102012
50	1-1/2	11 / 10 / 150	1.97	0.181	4.27	1.97	2.30	0.28	9102015
63	2	11 / 10 / 150	2.48	0.228	5.10	2.48	2.62	0.56	9102020
75	2-1/2	11 / 10 / 150	2.95	0.268	5.91	2.95	2.95	0.89	9102025
90	3	11 / 10 / 150	3.54	0.323	6.61	3.54	2.99	1.40	9102030
110	4	11 / 10 / 150	4.33	0.394	7.56	4.33	3.23	2.41	9102040
160	6	11 / 10 / 150	6.30	0.575	10.30	6.30	3.96	7.04	9102060
200	8	11 / 10 / 150	7.87	0.717	12.54	7.87	4.67	12.74	9102080
225	9	11 / 10 / 150	8.86	0.807	13.90	8.86	4.92	17.74	9102090
250	10	11 / 10 / 150	9.84	0.894	15.31	9.84	5.31	23.00	9102100
315	12	11 / 10 / 150	12.40	1.126	18.70	12.40	6.22	43.06	9102120

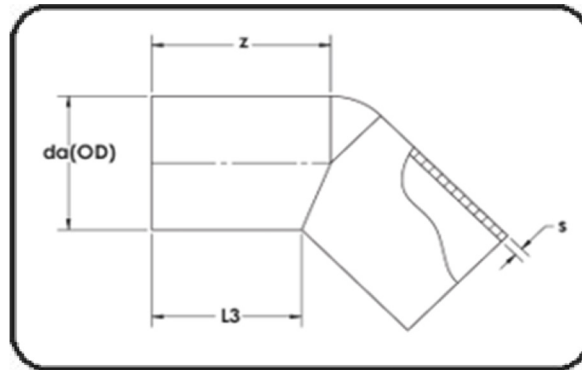
The most current up-to-date drawings and CAD models can be found at <https://cad.asahi-america.com/>



90 DEGREE ELBOW

Size		Dimensions						Part Number
mm	inch	SDR / PN / MOP (psi)	OD (in)	s (in)	z (in)	r (in)	Weight (lbs)	
250	10	11 / 10 / 150	9.84	0.894	11.42	10.43	16.20	9104100
315	12	11 / 10 / 150	12.40	1.126	13.39	11.81	29.59	9104120

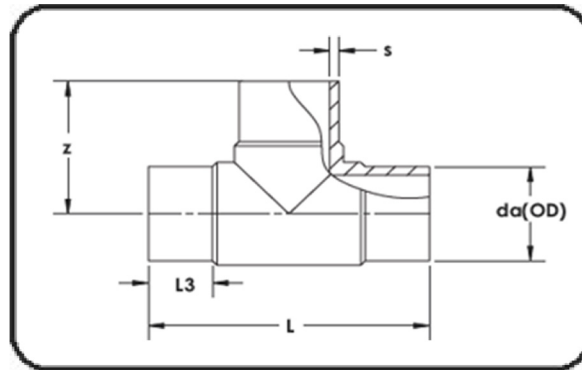
The most current up-to-date drawings and CAD models can be found at <https://cad.asahi-america.com/>



45 DEGREE ELBOW

Size		Dimensions						Part Number
mm	inch	SDR / PN / MOP (psi)	OD (in)	s (in)	z (in)	L3 (in)	Weight (lbs)	
20	1/2	11 / 10 / 150	0.79	0.075	1.73	1.54	0.03	9114005
25	3/4	11 / 10 / 150	0.98	0.091	1.89	1.65	0.04	9114007
32	1	11 / 10 / 150	1.26	0.114	2.24	1.93	0.07	9114010
40	1-1/4	11 / 10 / 150	1.57	0.146	2.48	2.09	0.11	9114012
50	1-1/2	11 / 10 / 150	1.97	0.181	2.76	2.24	0.20	9114015
63	2	11 / 10 / 150	2.48	0.228	3.15	2.64	0.37	9114020
75	2-1/2	11 / 10 / 150	2.95	0.268	3.54	2.85	0.62	9114025
90	3	11 / 10 / 150	3.54	0.323	4.09	3.23	0.94	9114030
110	4	11 / 10 / 150	4.33	0.394	4.49	3.35	1.46	9114040
160	6	11 / 10 / 150	6.30	0.575	6.00	4.59	4.18	9114060
200	8	11 / 10 / 150	7.87	0.717	6.71	4.74	7.54	9114080
225	9	11 / 10 / 150	8.86	0.807	7.28	5.24	10.14	9114090
250	10	11 / 10 / 150	9.84	0.894	8.54	6.30	14.99	9114100
315	12	11 / 10 / 150	12.40	1.126	9.84	7.05	26.74	9114120

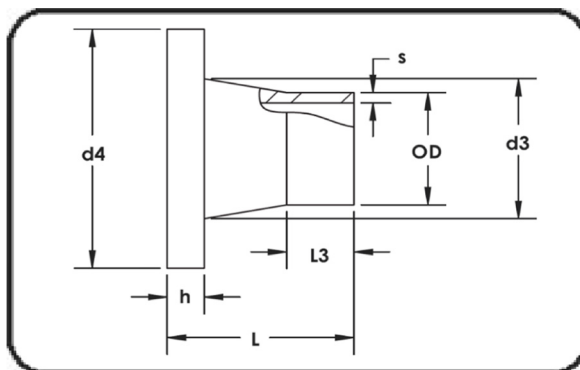
The most current up-to-date drawings and CAD models can be found at <https://cad.asahi-america.com/>



TEE

Size		Dimensions							Part Number
mm	inch	SDR / PN / MOP (psi)	OD (in)	s (in)	z (in)	L (in)	L3 (in)	Weight (lbs)	
20	1/2	11 / 10 / 150	0.79	0.075	1.34	2.68	0.69	0.03	9118005
25	3/4	11 / 10 / 150	0.98	0.091	1.57	3.15	0.81	0.04	9118007
32	1	11 / 10 / 150	1.26	0.114	1.77	3.54	0.81	0.08	9118010
40	1-1/4	11 / 10 / 150	1.57	0.146	1.97	3.94	0.81	0.14	9118012
50	1-1/2	11 / 10 / 150	1.97	0.181	2.36	4.72	0.91	0.25	9118015
63	2	11 / 10 / 150	2.48	0.228	2.83	5.67	0.98	0.49	9118020
75	2-1/2	11 / 10 / 150	2.95	0.268	2.95	5.98	0.59	0.86	9118025
90	3	11 / 10 / 150	3.54	0.323	4.13	8.39	1.50	0.40	9118030
110	4	11 / 10 / 150	4.33	0.394	4.80	9.96	2.01	2.64	9118040
160	6	11 / 10 / 150	6.30	0.575	6.81	13.62	2.24	7.17	9118060
200	8	11 / 10 / 150	7.87	0.717	7.87	15.94	2.24	13.27	9118080
225	9	11 / 10 / 150	8.86	0.807	8.76	17.52	2.24	17.71	9118090
250	10	11 / 10 / 150	9.84	0.894	9.25	18.50	2.83	24.16	9118100
315	12	11 / 10 / 150	12.40	1.126	10.83	21.65	3.15	42.46	9118120

The most current up-to-date drawings and CAD models can be found at <https://cad.asahi-america.com/>

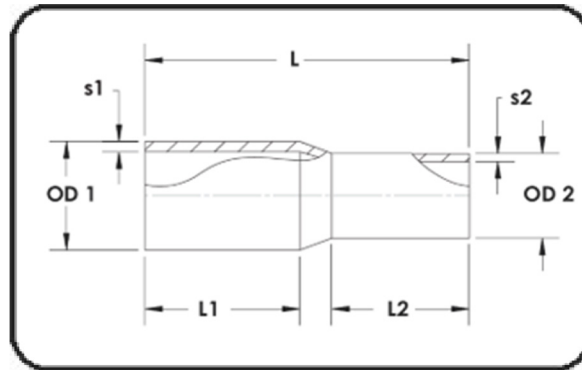


STUB END* (FLANGE ADAPTER)

Size		Dimensions									Part Number
mm	inch	SDR / PN / MOP (psi)	OD (in)	s (in)	L (in)	L3 (in)	d3 (in)	d4 (in)	h (in)	Weight (lbs)	
20	1/2	11 / 10 / 150	0.79	0.075	2.05	1.18	1.06	1.75	0.28	0.03	9130005
25	3/4	11 / 10 / 150	0.98	0.091	2.05	0.98	1.30	2.13	0.35	0.07	9130007
32	1	11 / 10 / 150	1.26	0.114	1.97	0.98	1.57	2.50	0.39	0.08	9130010
40	1-1/4	11 / 10 / 150	1.57	0.146	2.05	0.94	1.97	2.81	0.43	0.11	9130012
50	1-1/2	11 / 10 / 150	1.97	0.181	2.09	0.87	2.40	3.25	0.47	0.18	9130015
63	2	11 / 10 / 150	2.48	0.228	1.97	0.79	2.95	3.95	0.55	0.26	9130020
75	2-1/2	11 / 10 / 150	2.95	0.268	1.99	0.71	3.50	4.61	0.63	0.38	9130025
90	3	11 / 10 / 150	3.54	0.323	3.23	1.57	4.13	5.21	0.67	0.68	9130030
110	4	11 / 10 / 150	4.33	0.394	3.23	1.50	4.92	6.22	0.71	0.98	9130040
160	6	11 / 10 / 150	6.30	0.575	3.62	1.50	6.89	8.35	0.98	2.25	9130060
200	8	11 / 10 / 150	7.87	0.717	4.49	1.57	9.13	10.55	1.26	4.32	9130080
225	9	11 / 10 / 150	8.86	0.807	4.45	2.05	9.25	10.55	1.26	4.30	9130090
250	10	11 / 10 / 150	9.84	0.894	5.12	2.28	11.22	12.60	1.38	7.45	9130100
315	12	11 / 10 / 150	12.40	1.126	5.35	2.56	13.19	14.57	1.38	10.24	9130120

* Requires backing ring.
9" stub end uses 8" backing ring.

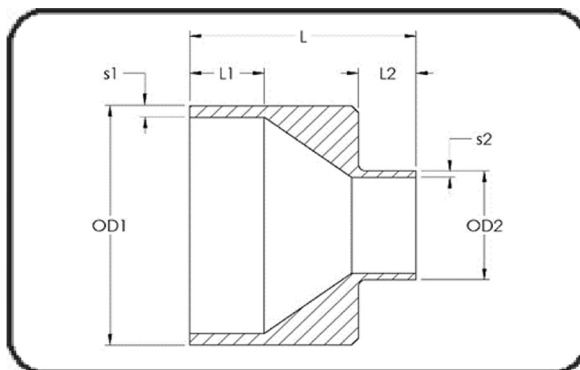
The most current up-to-date drawings and CAD models can be found at <https://cad.asahi-america.com/>



CONCENTRIC REDUCER

Size		SDR / PN / MOP (psi)	Dimensions								Weight (lbs)	Part Number
mm	inch		OD1 (in)	OD2 (in)	s1 (in)	L (in)	L1 (in)	L2 (in)	s2 (in)			
25 x 20	3/4 x 1/2	11 / 10 / 150	0.98	0.79	0.091	3.43	1.57	1.61	0.075	0.03	9137101	
32 x 20	1 x 1/2	11 / 10 / 150	1.26	0.79	0.114	3.62	1.69	1.54	0.075	0.04	9137130	
32 x 25	1 x 3/4	11 / 10 / 150	1.26	0.98	0.114	3.62	1.73	1.54	0.091	0.05	9137131	
40 x 20	1-1/4 x 1/2	11 / 10 / 150	1.57	0.79	0.146	4.02	1.89	1.54	0.075	0.07	9137166	
40 x 25	1-1/4 x 3/4	11 / 10 / 150	1.57	0.98	0.146	4.02	1.89	1.54	0.091	0.07	9137167	
40 x 32	1-1/4 x 1	11 / 10 / 150	1.57	1.26	0.146	4.09	1.89	1.77	0.114	0.08	9137168	
50 x 25	1-1/2 x 3/4	11 / 10 / 150	1.97	0.98	0.181	4.65	2.17	1.73	0.091	0.14	9137210	
50 x 32	1-1/2 x 1	11 / 10 / 150	1.97	1.26	0.181	4.65	2.32	1.81	0.114	0.14	9137211	
50 x 40	1-1/2 x 1-1/4	11 / 10 / 150	1.97	1.57	0.181	4.96	2.24	1.97	0.146	0.15	9137212	
63 x 32	2 x 1	11 / 10 / 150	2.48	1.26	0.228	5.35	2.52	1.93	0.114	0.22	9137249	
63 x 40	2 x 1-1/4	11 / 10 / 150	2.48	1.57	0.228	5.04	2.32	1.97	0.146	0.24	9137250	
63 x 50	2 x 1-1/2	11 / 10 / 150	2.48	1.97	0.228	5.91	2.60	2.32	0.181	0.28	9137251	
75 x 50	2-1/2 x 1-1/2	11 / 10 / 150	2.95	1.97	0.268	5.83	2.52	2.28	0.181	0.35	9137281	
75 x 63	2-1/2 x 2	11 / 10 / 150	2.95	2.48	0.268	5.87	2.56	2.52	0.228	0.40	9137292	
90 x 63	3 x 2	11 / 10 / 150	3.54	2.48	0.323	6.18	2.83	2.36	0.228	0.57	9137338	
90 x 75	3 x 2-1/2	11 / 10 / 150	3.54	2.95	0.323	6.42	2.95	2.48	0.268	0.61	9137339	
110 x 63	4 x 2	11 / 10 / 150	4.33	2.48	0.394	7.09	3.27	2.48	0.228	0.90	9137420	
110 x 90	4 x 3	11 / 10 / 150	4.33	3.54	0.394	7.09	3.27	2.95	0.323	1.07	9137422	
160 x 90	6 x 3	11 / 10 / 150	6.30	3.54	0.575	8.66	3.90	3.35	0.323	2.22	9137531	
160 x 110	6 x 4	11 / 10 / 150	6.30	4.33	0.575	8.66	3.90	3.46	0.394	2.47	9137532	
200 x 160	8 x 6	11 / 10 / 150	7.87	6.30	0.717	9.92	4.41	4.02	0.575	4.98	9137585	
225 x 160	9 x 6	11 / 10 / 150	8.86	6.30	0.807	10.63	5.04	3.98	0.575	6.25	9137606	
250 x 160	10 x 6	11 / 10 / 150	9.84	6.30	0.894	12.48	6.10	4.45	0.575	8.51	9137627	
250 x 200	10 x 8	11 / 10 / 150	9.84	7.87	0.894	12.36	6.10	4.92	0.717	9.70	9137628	
250 x 225	10 x 9	11 / 10 / 150	9.84	8.86	0.894	12.40	6.02	5.24	0.807	9.94	9137629	
315 x 200	12 x 8	11 / 10 / 150	12.40	7.87	1.126	14.96	7.09	5.24	0.717	14.48	9137659	
315 x 250	12 x 10	11 / 10 / 150	12.40	9.84	1.126	14.76	6.69	6.10	0.894	17.26	9137673	

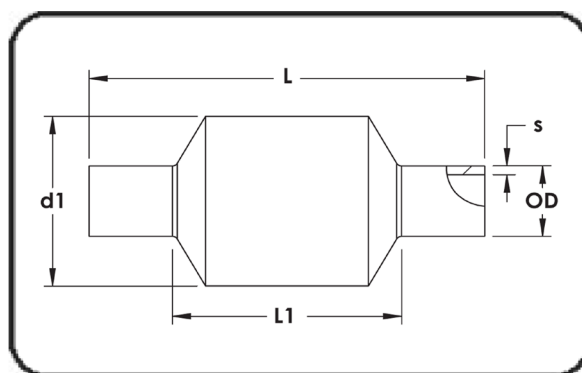
The most current up-to-date drawings and CAD models can be found at <https://cad.asahi-america.com/>



MACHINED CONCENTRIC REDUCER

Size		Dimensions									Part Number
mm	inch	SDR / PN / MOP (psi)	L (in)	L1 (in)	L2 (in)	s1 (in)	s2 (in)	OD1 (in)	OD2 (in)	Weight (lbs)	
50 x 20	1-1/2 x 1/2	11 / 10 / 150	2.47	0.98	1.00	0.181	0.075	1.97	0.79	0.07	9189208
63 x 50	2 x 1/2	11 / 10 / 150	3.15	0.98	1.00	0.228	0.075	2.48	0.79	0.19	9189246
63 x 25	2 x 3/4	11 / 10 / 150	3.15	0.98	1.00	0.228	0.091	2.48	0.98	0.19	9189248
63 x 40	2 x 1-1/4	11 / 10 / 150	3.15	0.98	1.00	0.228	0.146	2.48	1.58	0.18	9189250
75 x 32	2-1/2 x 1	11 / 10 / 150	3.15	1.30	1.00	0.268	0.114	2.95	1.26	0.24	9189289
75 x 40	2-1/2 x 1-1/4	11 / 10 / 150	3.15	1.30	1.00	0.268	0.146	2.95	1.58	0.24	9189290
90 x 20	3 x 1/2	11 / 10 / 150	3.15	1.30	1.00	0.323	0.075	3.54	0.79	0.36	9189332
90 x 25	3 x 3/4	11 / 10 / 150	3.15	1.30	1.00	0.323	0.091	3.54	0.98	0.35	9189333
90 x 32	3 x 1	11 / 10 / 150	3.15	1.30	1.00	0.323	0.114	3.54	1.26	0.35	9189336
90 x 40	3 x 1-1/4	11 / 10 / 150	3.15	1.30	1.00	0.323	0.146	3.54	1.58	0.35	9189335
90 x 50	3 x 1-1/2	11 / 10 / 150	3.15	1.30	1.00	0.323	0.181	3.54	1.97	0.35	9189337
110 x 20	4 x 1/2	11 / 10 / 150	3.94	1.30	1.00	0.394	0.075	4.33	0.79	0.82	9189399
110 x 25	4 x 3/4	11 / 10 / 150	3.94	1.30	1.00	0.394	0.091	4.33	0.98	0.82	9189404
110 x 32	4 x 1	11 / 10 / 150	3.94	1.30	1.00	0.394	0.114	4.33	1.26	0.80	9189401
110 x 40	4 x 1-1/4	11 / 10 / 150	3.94	1.30	1.00	0.394	0.146	4.33	1.58	0.79	9189412
110 x 50	4 x 1-1/2	11 / 10 / 150	3.94	1.30	1.00	0.394	0.181	4.33	1.97	0.77	9189415
160 x 32	6 x 1	11 / 10 / 150	6.30	1.18	1.00	0.575	0.114	6.30	1.26	3.62	9189516
160 x 63	6 x 2	11 / 10 / 150	5.91	1.18	1.00	0.575	0.228	6.30	2.48	3.08	9189530
200 x 90	8 x 3	11 / 10 / 150	6.30	1.18	1.00	0.717	0.323	7.87	3.54	5.11	9189582
200 x 110	8 x 4	11 / 10 / 150	5.12	1.18	1.00	0.717	0.394	7.87	4.33	3.70	9189583

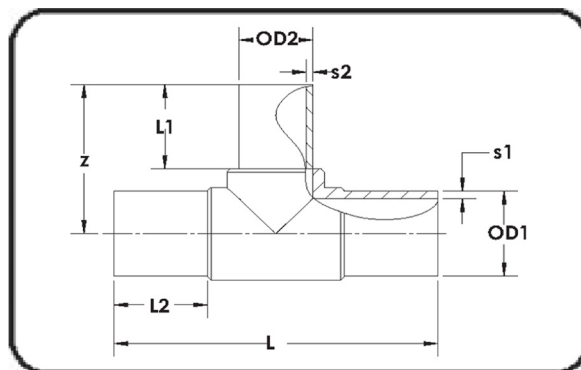
The most current up-to-date drawings and CAD models can be found at <https://cad.asahi-america.com/>



INSTRUMENTATION FITTING

Size		Dimensions								Part Number
mm	inch	SDR / PN / MOP (psi)	OD (in)	s (in)	L (in)	d1 (in)	L1 (in)	NPT (in)	Weight (lbs)	
20	1/2	11 / 10 / 150	0.79	0.075	4.25	1.9	1.97	-	0.24	9199005
20	1/2	11 / 10 / 150	0.79	0.075	4.25	1.9	1.97	1/4	0.24	9199096
20	1/2	11 / 10 / 150	0.79	0.075	4.5	1.9	1.97	1/2	0.24	9199099
25	3/4	11 / 10 / 150	0.98	0.091	4.5	2.36	1.97	-	0.27	9199007
25	3/4	11 / 10 / 150	0.98	0.091	4.5	2.36	1.97	1/4	0.27	9199103
32	1	11 / 10 / 150	1.26	0.114	4.5	2.65	1.97	-	0.30	9199010
32	1	11 / 10 / 150	1.26	0.114	4.5	2.65	1.97	1/4	0.30	9199104
32	1	11 / 10 / 150	1.26	0.114	4.5	2.65	1.97	1/2	0.30	9199130
32	1	11 / 10 / 150	1.26	0.114	4.5	2.65	1.97	3/4	0.30	9199131
40	1-1/4	11 / 10 / 150	1.57	0.146	4.5	3.06	1.97	-	0.52	9199012
40	1-1/4	11 / 10 / 150	1.57	0.146	4.5	3.06	1.97	1/4	0.52	9199159
40	1-1/4	11 / 10 / 150	1.57	0.146	4.5	3.06	1.97	1/2	0.52	9199166
50	1-1/2	11 / 10 / 150	1.97	0.181	4.5	3.3	1.97	-	0.65	9199015
50	1-1/2	11 / 10 / 150	1.97	0.181	4.5	3.3	1.97	1/4	0.65	9199207
50	1-1/2	11 / 10 / 150	1.97	0.181	4.5	3.3	1.97	1/2	0.65	9199208
63	2	11 / 10 / 150	2.48	0.228	4.5	3.8	1.97	-	0.79	9199020
63	2	11 / 10 / 150	2.48	0.228	4.5	3.8	1.97	1/4	0.79	9199244
63	2	11 / 10 / 150	2.48	0.228	4.5	3.8	1.97	1/2	0.79	9199246
75	2-1/2	11 / 10 / 150	2.95	0.268	5	4.13	1.97	-	0.86	9199025
75	2-1/2	11 / 10 / 150	2.95	0.268	5	4.13	1.97	1/4	0.86	9199283
75	2-1/2	11 / 10 / 150	2.95	0.268	5	4.13	1.97	1/2	0.86	9199285
90	3	11 / 10 / 150	3.54	0.323	5	4.48	1.97	-	1.10	9199030
90	3	11 / 10 / 150	3.54	0.323	5	4.48	1.97	1/4	1.10	9199330
90	3	11 / 10 / 150	3.54	0.323	5	4.48	1.97	1/2	1.10	9199332
90	3	11 / 10 / 150	3.54	0.323	5	4.85	1.97	3/4	1.10	9199333
110	4	11 / 10 / 150	4.33	0.394	5	5	1.97	-	1.42	9199040
110	4	11 / 10 / 150	4.33	0.394	5	5	1.97	1/4	1.42	9199402
110	4	11 / 10 / 150	4.33	0.394	5	5	1.97	1/2	1.42	9199399
110	4	11 / 10 / 150	4.33	0.394	5	5	1.97	3/4	1.42	9199404
160	6	11 / 10 / 150	6.3	0.575	5	7	1.97	-	2.31	9199060
160	6	11 / 10 / 150	6.3	0.575	5	7	1.97	1/4	2.31	9199509
160	6	11 / 10 / 150	6.3	0.575	5	7	1.97	1/2	2.31	9199512

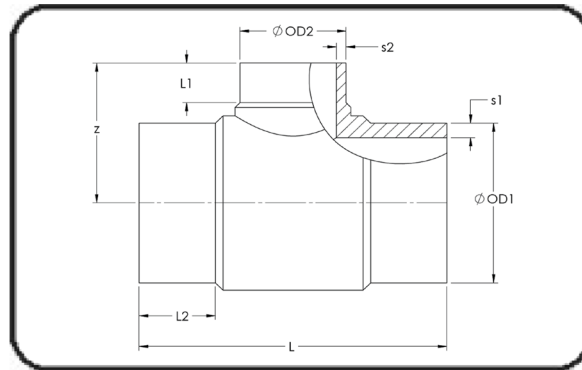
The most current up-to-date drawings and CAD models can be found at <https://cad.asahi-america.com/>



REDUCING TEE

Size		Dimensions										Part Number
mm	inch	SDR / PN / MOP (psi)	OD1 (in)	OD2 (in)	s1 (in)	z (in)	L (in)	L1 (in)	L2 (in)	s2 (in)	Weight (lbs)	
63 x 32	2 x 1	11 / 10 / 150	0.79	1.26	0.23	4.06	8.66	2.48	1.97	0.11	0.64	9122249
63 x 50	2 x 1-1/2	11 / 10 / 150	2.48	1.97	0.23	4.06	8.66	2.48	2.21	0.18	0.65	9122251
75 x 32	2-1/2 x 1	11 / 10 / 150	2.95	1.26	0.27	4.23	10.43	2.97	1.85	0.11	1.08	9122289
75 x 50	2-1/2 x 1-1/2	11 / 10 / 150	2.95	1.97	0.27	4.33	10.43	2.95	2.21	0.18	1.16	9122291
75 x 63	2-1/2 x 2	11 / 10 / 150	2.95	2.48	0.27	4.61	10.24	2.84	2.48	0.23	1.21	9122292
90 x 63	3 x 2	11 / 10 / 150	3.54	2.48	0.32	5.45	10.83	3.19	2.52	0.23	1.60	9122338
90 x 75	3 x 2-1/2	11 / 10 / 150	3.54	2.95	0.32	5.51	10.95	3.03	2.80	0.27	1.80	9122339
110 x 63	4 x 2	11 / 10 / 150	4.33	2.48	0.39	6.26	12.40	3.43	2.56	0.23	2.65	9122420
110 x 75	4 x 2-1/2	11 / 10 / 150	4.33	2.95	0.39	5.95	12.40	3.35	2.76	0.27	2.58	9122421
110 x 90	4 x 3	11 / 10 / 150	4.33	3.54	0.39	6.10	12.40	3.35	3.13	0.32	2.81	9122422
160 x 63	6 x 2	11 / 10 / 150	6.30	2.48	0.58	6.89	13.66	3.94	2.64	0.23	5.82	9122530
160 x 90	6 x 3	11 / 10 / 150	6.30	3.54	0.58	7.17	13.74	3.98	3.15	0.32	5.82	9122531
160 x 110	6 x 4	11 / 10 / 150	6.30	4.33	0.58	7.95	15.75	3.94	3.35	0.39	6.87	9122532
200 x 63	8 x 2	11 / 10 / 150	7.87	2.48	0.72	8.90	22.05	5.32	3.19	0.23	15.68	9122581
200 x 90	8 x 3	11 / 10 / 150	7.87	3.54	0.72	9.06	22.05	5.39	3.62	0.32	14.89	9122582
200 x 110	8 x 4	11 / 10 / 150	7.87	4.33	0.72	9.65	22.05	5.35	4.13	0.39	15.54	9122583
200 x 160	8 x 6	11 / 10 / 150	7.87	6.30	0.72	10.83	22.21	5.39	4.65	0.58	18.30	9122585
225 x 90	9 x 3	11 / 10 / 150	8.86	3.54	0.81	8.90	17.95	4.88	3.11	0.32	14.87	9122604
225 x 110	9 x 4	11 / 10 / 150	8.86	4.33	0.81	8.90	17.95	4.88	3.35	0.39	14.71	9122607
225 x 160	9 x 6	11 / 10 / 150	8.86	6.30	0.81	9.84	19.61	4.72	3.94	0.58	17.95	9122659
250 x 110	10 x 4	11 / 10 / 150	9.84	4.33	0.89	9.72	24.88	5.98	3.43	0.39	27.14	9122626

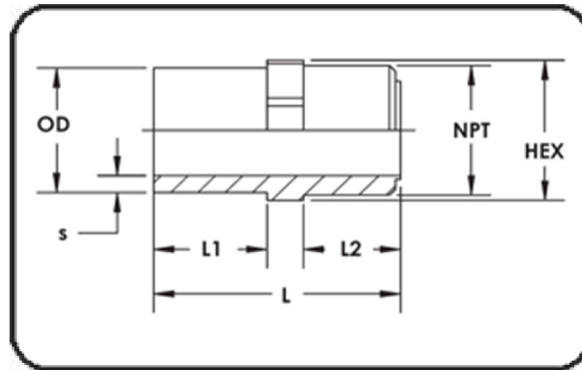
The most current up-to-date drawings and CAD models can be found at <https://cad.asahi-america.com/>



REDUCING TEE - SHORT SPIGOT

Size		Dimensions										Part Number
mm	inch	SDR / PN / MOP (psi)	ØOD1 (in)	ØOD2 (in)	s1 (in)	z (in)	L (in)	L1 (in)	L2 (in)	s2 (in)	Weight (lbs)	
90 x 32	3 x 1	11 / 10 / 150	3.54	1.26	0.323	3.35	8.39	0.91	2.24	0.114	1.25	9123336
90 x 50	3 x 1-1/2	11 / 10 / 150	3.54	1.97	0.323	3.54	8.39	1.06	2.24	0.181	1.26	9123337
110 x 32	4 x 1	11 / 10 / 150	4.33	1.26	0.394	3.70	9.61	0.91	2.76	0.114	2.00	9123401
110 x 50	4 x 1-1/2	11 / 10 / 150	4.33	1.97	0.394	4.06	9.61	1.06	2.76	0.181	2.14	9123415

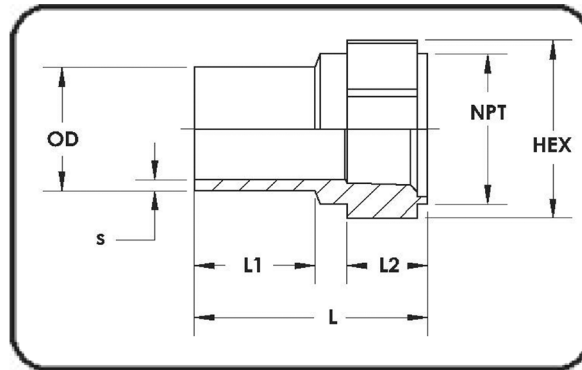
The most current up-to-date drawings and CAD models can be found at <https://cad.asahi-america.com/>



MALE ADAPTER

Size		Dimensions									Part Number
mm	inch	SDR / PN / MOP (psi)	OD (in)	s (in)	L (in)	L1 (in)	L2 (in)	HEX (in)	NPT (in)	Weight (lbs)	
20	1/2	11 / 10 / 150	0.79	0.075	1.81	0.81	0.71	0.87	1/2	0.02	9147005
25	3/4	11 / 10 / 150	0.98	0.091	2.01	0.89	0.79	1.06	3/4	0.02	9147007
32	1	11 / 10 / 150	1.26	0.114	2.40	1.14	0.95	1.42	1	0.05	9147010
40	1-1/4	11 / 10 / 150	1.58	0.146	2.60	1.14	1.04	1.81	1-1/4	0.14	9147012
50	1-1/2	11 / 10 / 150	1.97	0.181	2.91	1.30	1.14	2.17	1-1/2	0.14	9147015
63	2	11 / 10 / 150	2.48	0.228	3.15	1.38	1.28	2.56	2	0.18	9147020

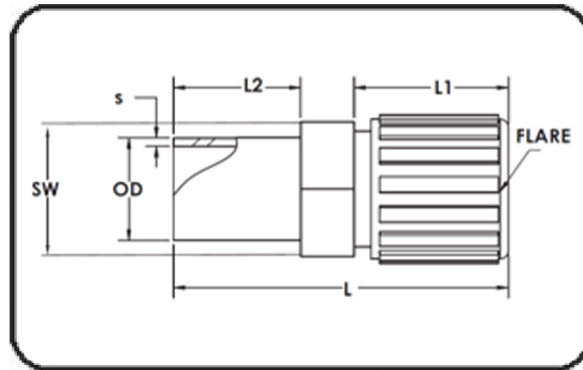
The most current up-to-date drawings and CAD models can be found at <https://cad.asahi-america.com/>



FEMALE ADAPTER

Size		Dimensions									Part Number
mm	inch	SDR / PN / MOP (psi)	OD (in)	s (in)	L (in)	L1 (in)	L2 (in)	HEX (in)	NPT (in)	Weight (lbs)	
20	1/2	11 / 10 / 150	0.79	0.075	1.77	0.83	0.63	1.26	1/2	0.03	9149005
25	3/4	11 / 10 / 150	0.98	0.091	2.01	0.95	0.71	1.61	3/4	0.07	9149007
32	1	11 / 10 / 150	1.26	0.114	2.28	1.18	0.79	1.81	1	0.07	9149010
40	1-1/4	11 / 10 / 150	1.58	0.146	2.44	1.18	0.95	2.17	1-1/4	0.11	9149012
50	1-1/2	11 / 10 / 150	1.97	0.181	2.68	1.34	1.00	2.76	1-1/2	0.22	9149015
63	2	11 / 10 / 150	2.48	0.228	2.95	1.42	1.18	3.35	2	0.36	9149020

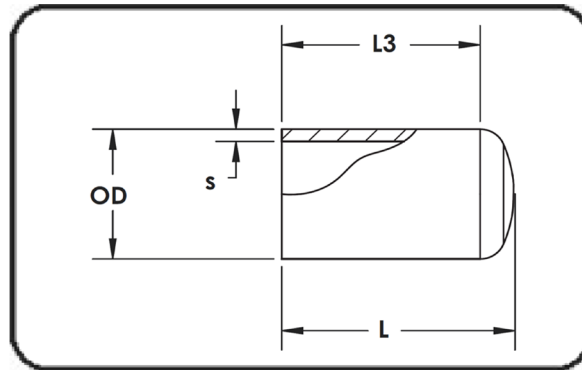
The most current up-to-date drawings and CAD models can be found at <https://cad.asahi-america.com/>



FLARE ADAPTER

Size		SDR / PN / MOP (psi)	OD (in)	s (in)	L (in)	L1 (in)	L2 (in)	SW (in)	Flare (in)	Weight (lbs)	Part Number
mm	inch										
20	1/2	11 / 10 / 150	0.79	0.075	1.77	0.83	0.63	1.26	1/2	0.03	9106005
25	3/4	11 / 10 / 150	0.98	0.091	2.01	0.95	0.71	1.61	3/4	0.07	9106007
32	1	11 / 10 / 150	1.26	0.114	2.28	1.18	0.79	1.81	1	0.07	9106010
40	1-1/4	11 / 10 / 150	1.58	0.146	2.44	1.18	0.95	2.17	1-1/4	0.11	9106012
50	1-1/2	11 / 10 / 150	1.97	0.181	2.68	1.34	1.00	2.76	1-1/2	0.22	9106015
63	2	11 / 10 / 150	2.48	0.228	2.95	1.42	1.18	3.35	2	0.36	9106020

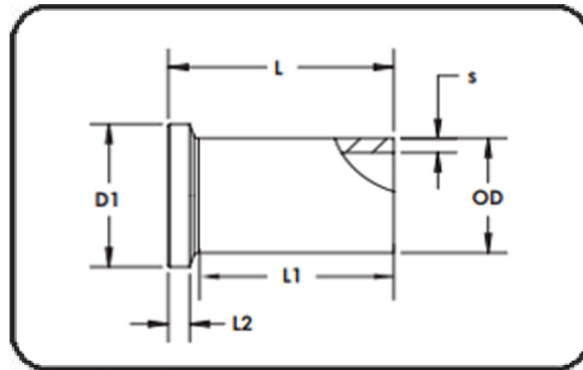
The most current up-to-date drawings and CAD models can be found at <https://cad.asahi-america.com/>



END CAP

Size		Dimensions						Part Number
mm	inch	SDR / PN / MOP (psi)	OD (in)	s (in)	L (in)	L3 (in)	Weight (lbs)	
20	1/2	11 / 10 / 150	0.79	0.08	1.85	1.61	0.01	9143005
25	3/4	11 / 10 / 150	0.98	0.09	1.93	1.61	0.02	9143007
32	1	11 / 10 / 150	1.26	0.11	2.21	1.85	0.03	9143010
40	1-1/4	11 / 10 / 150	1.58	0.15	2.52	2.01	0.05	9143012
50	1-1/2	11 / 10 / 150	1.97	0.18	2.87	2.36	0.11	9143015
63	2	11 / 10 / 150	2.48	0.23	3.31	2.68	0.12	9143020
75	2-1/2	11 / 10 / 150	2.95	0.27	3.66	2.95	0.35	9143025
90	3	11 / 10 / 150	3.54	0.32	4.29	3.31	0.52	9143030
110	4	11 / 10 / 150	4.33	0.39	5.35	4.09	1.03	9143040
160	6	11 / 10 / 150	6.30	0.58	6.69	4.67	2.29	9143060
200	8	11 / 10 / 150	7.87	0.72	7.13	5.00	4.54	9143080
225	9	11 / 10 / 150	8.86	0.81	7.95	5.16	5.90	9143090
250	10	11 / 10 / 150	9.84	0.89	9.06	6.34	8.51	9143100
315	12	11 / 10 / 150	12.40	1.13	10.71	6.73	15.43	9143120

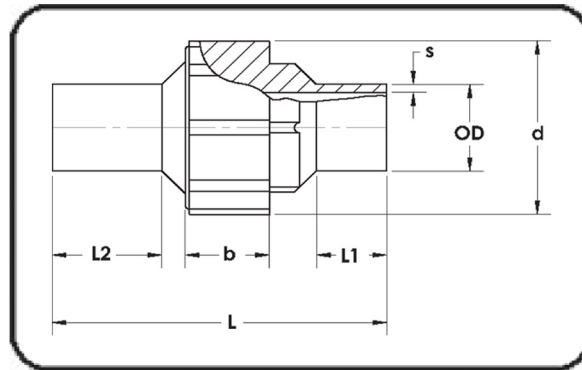
The most current up-to-date drawings and CAD models can be found at <https://cad.asahi-america.com/>



SANITARY ADAPTER

Size			Dimensions								Part Number
mm	inch	Sanitary (in)	SDR / PN / MOP (psi)	OD (in)	s (in)	L (in)	L1 (in)	L2 (in)	D1 (in)	Weight (lbs)	
20	1/2	3/4	11 / 10 / 120	0.79	0.075	1.50	1.30	0.14	0.98	0.07	9145101
25	3/4	1	11 / 10 / 120	0.98	0.091	1.50	1.16	0.11	1.98	0.07	9145131
32	1	1-1/2	11 / 10 / 120	1.26	0.114	1.50	0.75	0.11	1.98	0.07	9145168
40	1-1/4	1-1/2	11 / 10 / 120	1.58	0.146	1.50	1.25	0.11	1.98	0.09	9145212
50	1-1/2	2	11 / 10 / 120	1.97	0.181	1.50	1.25	0.11	2.49	0.09	9145251
63	2	2-1/2	11 / 10 / 120	2.48	0.228	1.50	1.25	0.11	2.99	0.09	9145292

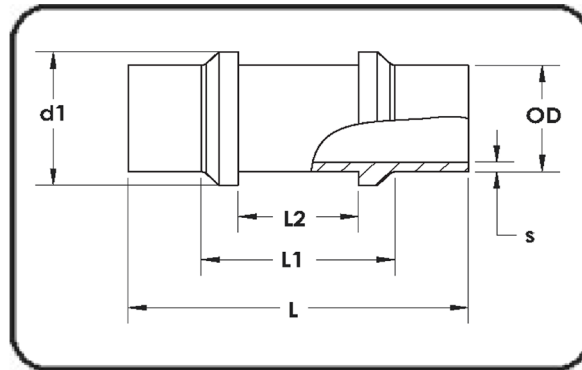
The most current up-to-date drawings and CAD models can be found at <https://cad.asahi-america.com/>



UNION - FKM

Size		Dimensions									Part Number
mm	inch	SDR / PN / MOP (psi)	OD (in)	s (in)	L (in)	L1 (in)	L2 (in)	d (in)	b (in)	Weight (lbs)	
20	1/2	11 / 10 / 150	0.79	0.075	4.25	0.95	1.50	1.85	0.95	0.10	9134005
25	3/4	11 / 10 / 150	0.98	0.091	4.49	0.95	1.54	2.24	1.02	0.16	9134007
32	1	11 / 10 / 150	1.26	0.114	4.80	0.98	1.54	2.52	1.18	0.22	9134010
40	1-1/4	11 / 10 / 150	1.58	0.146	5.04	0.98	1.65	3.07	1.22	0.37	9134012
50	1-1/2	11 / 10 / 150	1.97	0.181	5.28	0.98	1.73	3.50	1.38	0.51	9134015
63	2	11 / 10 / 150	2.48	0.228	5.43	0.98	1.73	4.29	1.54	0.84	9134020

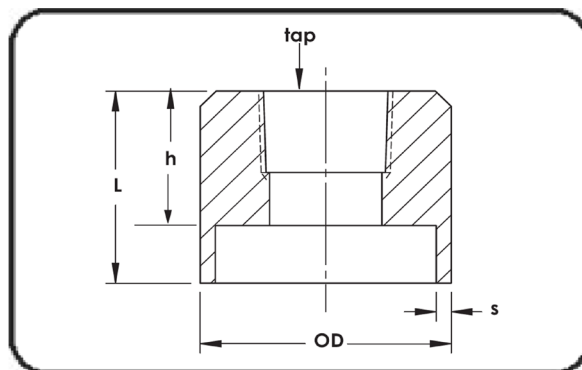
The most current up-to-date drawings and CAD models can be found at <https://cad.asahi-america.com/>



RESTRAINT FITTING

Size		Dimensions								Part Number
mm	inch	SDR / PN / MOP (psi)	OD (in)	s (in)	L (in)	L1 (in)	L2 (in)	d1 (in)	Weight (lbs)	
20	1/2	11 / 10 / 150	0.79	0.08	4.72	2.09	1.28	1.10	0.04	9161005
25	3/4	11 / 10 / 150	0.98	0.09	4.72	2.09	1.28	1.30	0.09	9161007
32	1	11 / 10 / 150	1.26	0.11	4.72	2.09	1.28	1.58	0.11	9161010
40	1-1/4	11 / 10 / 150	1.58	0.15	4.72	2.09	1.28	1.89	0.20	9161012
50	1-1/2	11 / 10 / 150	1.97	0.18	4.72	2.09	1.28	2.28	0.23	9161015
63	2	11 / 10 / 150	2.48	0.23	4.72	1.97	1.28	2.80	0.29	9161020
75	2-1/2	11 / 10 / 150	2.95	0.27	5.12	2.76	1.61	3.43	0.47	9161025
90	3	11 / 10 / 150	3.54	0.32	5.12	2.76	1.61	4.13	0.69	9161030
110	4	11 / 10 / 150	4.33	0.39	5.12	2.76	1.61	5.00	1.02	9161040
160	6	11 / 10 / 150	6.30	0.58	6.30	3.94	2.40	7.09	2.64	9161060
200	8	11 / 10 / 150	7.87	0.72	7.87	4.33	2.40	8.86	5.06	9161080
225	9	11 / 10 / 150	8.86	0.81	7.87	4.33	2.40	9.84	6.40	9161090

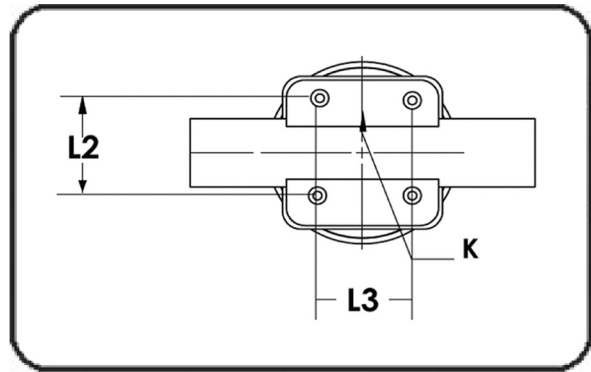
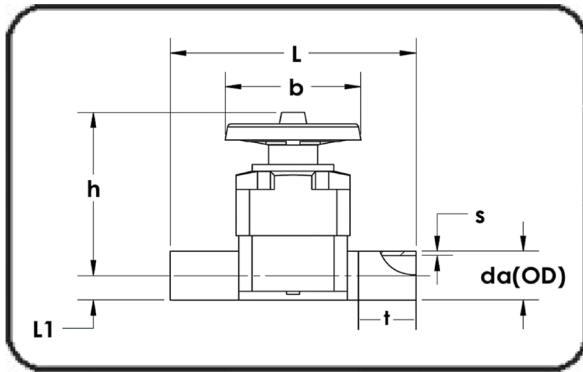
The most current up-to-date drawings and CAD models can be found at <https://cad.asahi-america.com/>



PROBE ADAPTER

Size		Dimensions						Part Number
mm	inch	SDR / PN / MOP (psi)	OD (in)	h (in)	L (in)	s (in)	NPT (in)	
20	1/2	11 / 10 / 150	0.79	1.00	1.50	0.075	-	9166005
20	1/2	11 / 10 / 150	0.79	1.00	1.50	0.075	1/4	9166096
25	3/4	11 / 10 / 150	0.98	1.00	1.50	0.091	-	9166007
25	3/4	11 / 10 / 150	0.98	1.00	1.50	0.091	1/4	9166103
32	1	11 / 10 / 150	1.26	1.00	1.50	0.114	-	9166010
32	1	11 / 10 / 150	1.26	1.00	1.50	0.114	1/4	9166104
32	1	11 / 10 / 150	1.26	1.00	1.50	0.114	1/2	9166130
40	1-1/4	11 / 10 / 150	1.57	1.00	1.50	0.146	-	9166012
40	1-1/4	11 / 10 / 150	1.57	1.00	1.50	0.146	1/4	9166159
40	1-1/4	11 / 10 / 150	1.57	1.00	1.50	0.146	1/2	9166166
50	1-1/2	11 / 10 / 150	1.97	1.00	1.50	0.181	-	9166015
50	1-1/2	11 / 10 / 150	1.97	1.00	1.50	0.181	1/4	9166207
50	1-1/2	11 / 10 / 150	1.97	1.00	1.50	0.181	1/2	9166208
63	2	11 / 10 / 150	2.48	1.00	1.50	0.228	-	9166020
63	2	11 / 10 / 150	2.48	1.00	1.50	0.228	1/4	9166244
63	2	11 / 10 / 150	2.48	1.00	1.50	0.228	1/2	9166246
75	2-1/2	11 / 10 / 150	2.95	1.00	1.50	0.268	-	9166025
75	2-1/2	11 / 10 / 150	2.95	1.00	1.50	0.268	1/4	9166283
75	2-1/2	11 / 10 / 150	2.95	1.00	1.50	0.268	1/2	9166285
90	3	11 / 10 / 150	3.54	1.00	1.50	0.323	-	9166030
90	3	11 / 10 / 150	3.54	1.00	1.50	0.323	1/4	9166330
90	3	11 / 10 / 150	3.54	1.00	1.50	0.323	1/2	9166332
90	3	11 / 10 / 150	3.54	1.00	1.50	0.323	3/4	9166333
110	4	11 / 10 / 150	4.33	1.00	1.50	0.394	-	9166040
110	4	11 / 10 / 150	4.33	1.00	1.50	0.394	1/4	9166402
110	4	11 / 10 / 150	4.33	1.00	1.50	0.394	1/2	9166399
110	4	11 / 10 / 150	4.33	1.00	1.50	0.394	3/4	9166404

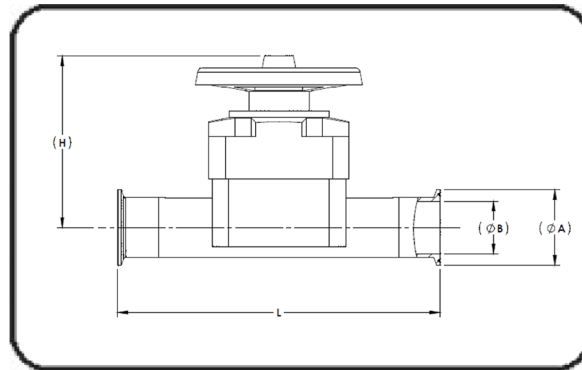
The most current up-to-date drawings and CAD models can be found at <https://cad.asahi-america.com/>



T-342 DIAPHRAGM VALVE

Size		Dimensions												Part Number
mm	inch	SDR / PN / MOP (psi)	OD (in)	s (in)	L (in)	t (in)	L2 (in)	L3 (in)	h (in)	b (in)	K	L1 (in)	Weight (lbs)	
20	1/2	11 / 10 / 150	0.79	0.08	5.24	1.42	0.97	-	3.94	3.35	M6	0.65	0.98	1174005
25	3/4	11 / 10 / 150	0.98	0.09	5.67	1.42	0.97	-	3.94	3.35	M6	0.65	1.00	1174007
32	1	11 / 10 / 150	1.26	0.11	6.06	1.42	0.97	-	4.21	3.35	M6	0.81	1.42	1174010
40	1-1/4	11 / 10 / 150	1.58	0.15	7.60	1.81	1.73	-	5.67	5.32	M8	1.00	3.27	1174012
50	1-1/2	11 / 10 / 150	1.97	0.18	7.64	1.90	1.73	-	5.67	5.32	M8	1.26	3.23	1174015
63	2	11 / 10 / 150	2.48	0.23	8.82	2.13	1.73	-	6.69	5.32	M8	1.52	4.98	1174020
75	2-1/2	11 / 10 / 150	2.95	0.27	11.18	2.34	9.06	-	10.00	9.21	M12	0.98	11.30	1174025
90	3	11 / 10 / 150	3.54	0.32	11.81	1.46	9.06	-	10.00	9.21	M12	0.98	11.47	1174030
110	4	11 / 10 / 150	4.33	0.39	13.39	1.97	11.02	3.35	12.60	9.21	M12	0.98	21.87	1174040
20	1/2	11 / 10 / 150	0.79	0.08	5.24	1.42	0.97	-	3.94	3.35	M6	0.65	0.98	1403005
25	3/4	11 / 10 / 150	0.98	0.09	5.67	1.42	0.97	-	3.94	3.35	M6	0.65	1.00	1403007
32	1	11 / 10 / 150	1.26	0.11	6.06	1.42	0.97	-	4.21	3.35	M6	0.81	1.42	1403010
40	1-1/4	11 / 10 / 150	1.58	0.15	7.60	1.81	1.73	-	5.67	5.32	M8	1.00	3.27	1403012
50	1-1/2	11 / 10 / 150	1.97	0.18	7.64	1.90	1.73	-	5.67	5.32	M8	1.26	3.23	1403015
63	2	11 / 10 / 150	2.48	0.23	8.82	2.13	1.73	-	6.69	5.32	M8	1.52	4.98	1403020
75	2-1/2	11 / 10 / 150	2.95	0.27	11.18	2.34	9.06	-	10.00	9.21	M12	0.98	11.30	1403025
90	3	11 / 10 / 150	3.54	0.32	11.81	1.46	9.06	-	10.00	9.21	M12	0.98	11.47	1403030
110	4	11 / 10 / 150	4.33	0.39	13.39	1.97	11.02	3.35	12.60	9.21	M12	0.98	21.87	1403040

The most current up-to-date drawings and CAD models can be found at <https://cad.asahi-america.com/>

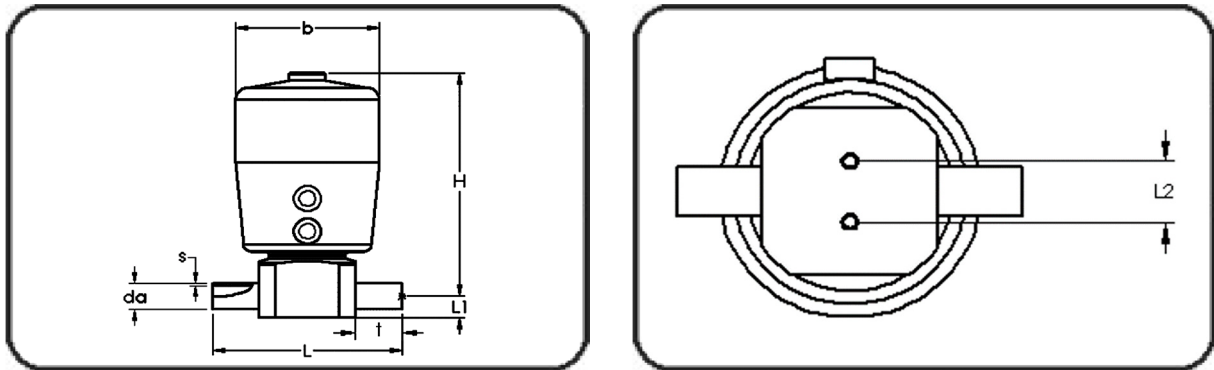


T-342 DIAPHRAGM VALVE - SANITARY END

Size		Dimensions						Part Number
mm	inch	SDR / MOP (psi)	OD (in)	L (in)	H (in)	ØA (in)	ØB (in)	
20	1/2	11 / 120	0.79	8.00	3.94	0.98	0.64	117401005
25	3/4	11 / 120	0.98	8.38	3.94	1.98	0.83	117401007
32	1	11 / 120	1.26	8.78	4.21	1.98	1.07	117401010
40	1-1/4	11 / 120	1.57	10.25	5.67	1.98	1.39	117401012
50	1-1/2	11 / 120	1.97	10.25	5.67	2.49	1.73	117401015
63	2	11 / 120	2.48	10.25	6.69	2.49	2.24	117401020
20	1/2	11 / 120	0.79	8.00	3.94	0.98	0.64	140301005
25	3/4	11 / 120	0.98	8.38	3.94	1.98	0.83	140301007
32	1	11 / 120	1.26	8.78	4.21	1.98	1.07	140301010
40	1-1/4	11 / 120	1.57	10.25	5.67	1.98	1.39	140301012
50	1-1/2	11 / 120	1.97	10.25	5.67	2.49	1.73	140301015
63	2	11 / 120	2.48	10.25	6.69	2.49	2.24	140301020

Sanitary adapters are beadless welded to the valve body.

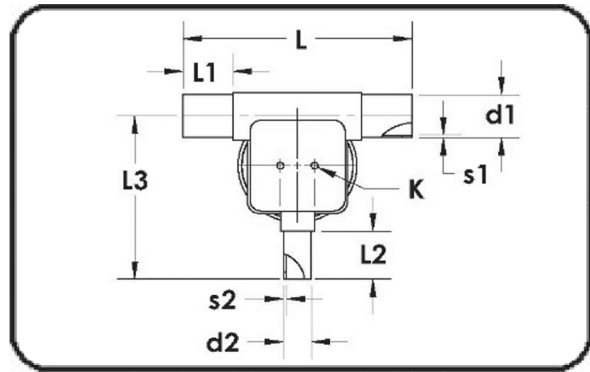
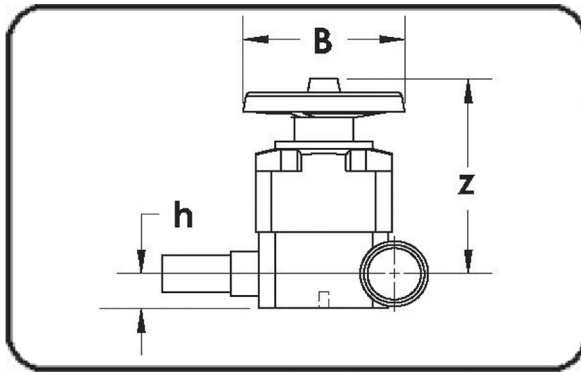
The most current up-to-date drawings and CAD models can be found at <https://cad.asahi-america.com/>



ACTUATED T-342 DIAPHRAGM VALVE

Size		Dimensions											Part Number
mm	inch	SDR / PN / MOP (psi)	da (in)	s (in)	L (in)	L1 (in)	L2 (in)	H (in)	b (in)	t (in)	K	Weight (lbs)	
20	1/2	11 / 10 / 150	0.79	0.08	5.24	0.65	0.97	6.69	3.98	1.42	M6	3.28	9119005
25	3/4	11 / 10 / 150	0.98	0.08	5.67	0.65	0.97	6.69	3.98	1.42	M6	3.26	9119007
32	1	11 / 10 / 150	1.26	0.09	6.06	0.81	0.97	6.89	3.98	1.42	M6	4.13	9119010
40	1-1/4	11 / 10 / 150	1.58	0.09	7.60	1.00	1.73	10.75	6.02	1.73	M8	12.26	9119012
50	1-1/2	11 / 10 / 150	1.97	0.12	7.64	1.26	1.73	10.75	6.02	1.90	M8	14.11	9119015
63	2	11 / 10 / 150	2.48	0.12	8.82	1.52	1.73	10.91	6.02	2.13	M8	15.29	9119020
20	1/2	11 / 10 / 150	0.79	0.08	5.24	0.65	0.97	6.69	3.98	1.42	M6	3.28	9125005
25	3/4	11 / 10 / 150	0.98	0.08	5.67	0.65	0.97	6.69	3.98	1.42	M6	3.26	9125007
32	1	11 / 10 / 150	1.26	0.09	6.06	0.81	0.97	6.89	3.98	1.42	M6	4.13	9125010
40	1-1/4	11 / 10 / 150	1.58	0.09	7.60	1.00	1.73	10.75	6.02	1.73	M8	12.26	9125012
50	1-1/2	11 / 10 / 150	1.97	0.12	7.64	1.26	1.73	10.75	6.02	1.90	M8	14.11	9125015
63	2	11 / 10 / 150	2.48	0.12	8.82	1.52	1.73	10.91	6.02	2.13	M8	15.29	9125020
20	1/2	11 / 10 / 150	0.79	0.08	5.24	0.65	0.97	6.69	3.98	1.42	M6	2.23	1000.79
25	3/4	11 / 10 / 150	0.98	0.08	5.67	0.65	0.97	6.69	3.98	1.42	M6	2.65	9120007
32	1	11 / 10 / 150	1.26	0.09	6.06	0.81	0.97	6.89	3.98	1.42	M6	3.31	9120010
40	1-1/4	11 / 10 / 150	1.58	0.09	7.60	1.00	1.73	10.75	6.02	1.81	M8	8.91	9120012
50	1-1/2	11 / 10 / 150	1.97	0.12	7.64	1.26	1.73	10.75	6.02	1.81	M8	8.04	9120015
63	2	11 / 10 / 150	2.48	0.12	8.82	1.52	1.73	10.91	6.02	2.13	M8	10.08	9120020
20	1/2	11 / 10 / 150	0.79	0.08	5.24	0.65	0.97	6.69	3.98	1.42	M6	2.23	9126005
25	3/4	11 / 10 / 150	0.98	0.08	5.67	0.65	0.97	6.69	3.98	1.42	M6	2.65	9126007
32	1	11 / 10 / 150	1.26	0.09	6.06	0.81	0.97	6.89	3.98	1.42	M6	3.31	9126010
40	1-1/4	11 / 10 / 150	1.58	0.09	7.60	1.00	1.73	10.75	6.02	1.81	M8	8.91	9126012
50	1-1/2	11 / 10 / 150	1.97	0.12	7.64	1.26	1.73	10.75	6.02	1.81	M8	8.04	9126015
63	2	11 / 10 / 150	2.48	0.12	8.82	1.52	1.73	10.91	6.02	2.13	M8	10.08	9126020
20	1/2	11 / 10 / 150	0.79	0.08	5.24	0.65	0.97	6.69	3.98	1.42	M6	1.48	2000.79
25	3/4	11 / 10 / 150	0.98	0.08	5.67	0.65	0.97	6.69	3.98	1.42	M6	1.70	9121007
32	1	11 / 10 / 150	1.26	0.09	6.06	0.81	0.97	6.89	3.98	1.42	M6	3.09	9121010
40	1-1/4	11 / 10 / 150	1.58	0.09	7.60	1.00	1.73	10.75	6.02	1.81	M8	8.95	9121012
50	1-1/2	11 / 10 / 150	1.97	0.12	7.64	1.26	1.73	10.75	6.02	1.81	M8	8.83	9121015
63	2	11 / 10 / 150	2.48	0.12	8.82	1.52	1.73	10.91	6.02	2.13	M8	9.78	9121020
20	1/2	11 / 10 / 150	0.79	0.08	5.24	0.65	0.97	6.69	3.98	1.42	M6	1.48	9127005
25	3/4	11 / 10 / 150	0.98	0.08	5.67	0.65	0.97	6.69	3.98	1.42	M6	1.70	9127007
32	1	11 / 10 / 150	1.26	0.09	6.06	0.81	0.97	6.89	3.98	1.42	M6	3.09	9127010
40	1-1/4	11 / 10 / 150	1.58	0.09	7.60	1.00	1.73	10.75	6.02	1.81	M8	8.95	9127012
50	1-1/2	11 / 10 / 150	1.97	0.12	7.64	1.26	1.73	10.75	6.02	1.81	M8	8.83	9127015
63	2	11 / 10 / 150	2.48	0.12	8.82	1.52	1.73	10.91	6.02	2.13	M8	9.78	9127020

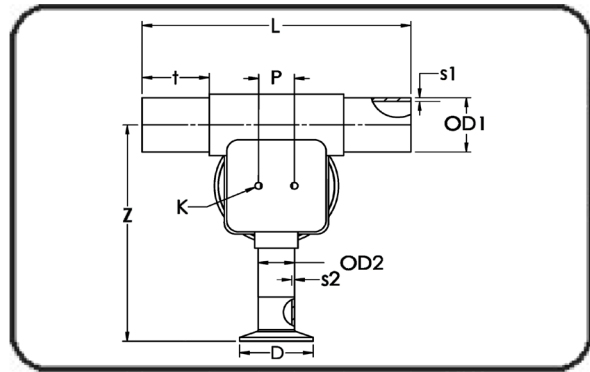
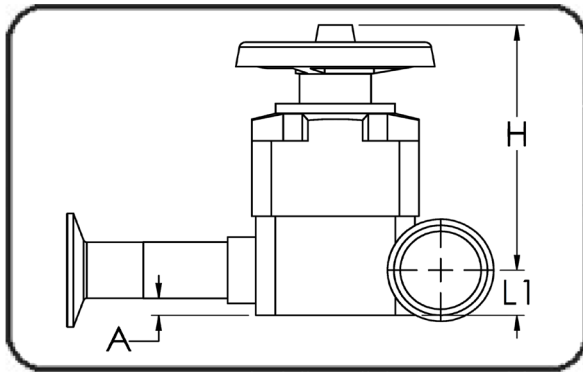
The most current up-to-date drawings and CAD models can be found at <https://cad.asahi-america.com/>



T-343 DIAPHRAGM VALVE

Size		Dimensions											Part Number	
mm	inch	SDR / PN / MOP (psi)	d1 (in)	d2 (in)	s1 (in)	L (in)	L1 (in)	L2 (in)	L3 (in)	z (in)	s2 (in)	K		Weight (lbs)
20 x 20	1/2 x 1/2	11 / 10 / 150	0.79	0.79	0.075	6.46	1.42	1.42	4.41	4.21	0.075	M6	1.01	9128005
25 x 20	3/4 x 1/2	11 / 10 / 150	0.98	0.79	0.091	6.46	1.42	1.42	4.55	4.21	0.075	M6	1.08	9128101
25 x 25	3/4 x 3/4	11 / 10 / 150	0.98	0.98	0.091	6.46	1.42	1.42	4.55	4.21	0.091	M6	1.04	9128007
32 x 20	1 x 1/2	11 / 10 / 150	1.26	0.79	0.114	6.46	1.42	1.42	4.80	4.21	0.075	M6	1.50	9128130
32 x 25	1 x 3/4	11 / 10 / 150	1.26	0.98	0.114	6.46	1.42	1.42	4.80	4.21	0.091	M6	1.49	9128131
32 x 32	1 x 1	11 / 10 / 150	1.26	1.26	0.114	6.46	1.42	1.42	4.80	4.21	0.114	M6	1.48	9128010
40 x 20	1-1/4 x 1/2	11 / 10 / 150	1.58	0.79	0.146	7.24	1.81	1.42	5.00	4.29	0.075	M6	1.59	9128166
40 x 25	1-1/4 x 3/4	11 / 10 / 150	1.58	0.98	0.146	7.24	1.81	1.42	5.00	4.29	0.091	M6	1.59	9128167
40 x 32	1-1/4 x 1	11 / 10 / 150	1.58	1.26	0.146	7.24	1.81	1.42	5.00	4.48	0.114	M6	1.58	9128168
50 x 20	1-1/2 x 1/2	11 / 10 / 150	1.97	0.79	0.181	7.24	1.81	1.42	5.18	4.39	0.075	M6	1.70	9128208
50 x 32	1-1/2 x 1	11 / 10 / 150	1.97	1.26	0.181	7.24	1.81	1.42	5.18	4.59	0.114	M6	1.70	9128211
63 x 32	2 x 1	11 / 10 / 150	2.48	1.26	0.228	7.24	1.81	1.42	5.43	4.59	0.114	M6	2.00	9128249
75 x 32	2-1/2 x 1	11 / 10 / 150	2.95	1.26	0.268	7.24	1.81	1.42	5.83	4.80	0.114	M6	1.98	9128289
90 x 32	3 x 1	11 / 10 / 150	3.54	1.26	0.323	7.24	1.81	1.42	6.18	4.80	0.114	M6	2.58	9128336
110 x 32	4 x 1	11 / 10 / 150	4.33	1.26	0.394	7.72	2.05	1.42	6.69	4.80	0.114	M6	3.13	9128401
20 x 20	1/2 x 1/2	11 / 10 / 150	0.79	0.79	0.075	6.46	1.42	1.42	4.41	4.21	0.075	M6	1.01	9146005
25 x 20	3/4 x 1/2	11 / 10 / 150	0.98	0.79	0.091	6.46	1.42	1.42	4.55	4.21	0.075	M6	1.08	9146101
25 x 25	3/4 x 3/4	11 / 10 / 150	0.98	0.98	0.091	6.46	1.42	1.42	4.55	4.21	0.091	M6	1.04	9146007
32 x 20	1 x 1/2	11 / 10 / 150	1.26	0.79	0.114	6.46	0.00	1.42	4.80	4.21	0.075	M6	1.50	9146130
32 x 25	1 x 3/4	11 / 10 / 150	1.26	0.98	0.114	6.46	1.42	1.42	4.80	4.21	0.091	M6	1.49	9146131
32 x 32	1 x 1	11 / 10 / 150	1.26	1.26	0.114	6.46	1.42	1.42	4.80	4.21	0.114	M6	1.48	9146010
40 x 20	1-1/4 x 1/2	11 / 10 / 150	1.58	0.79	0.146	7.24	1.81	1.42	5.00	4.29	0.075	M6	1.59	9146166
40 x 25	1-1/4 x 3/4	11 / 10 / 150	1.58	0.98	0.146	7.24	1.81	1.42	5.00	4.29	0.091	M6	1.59	9146167
40 x 32	1-1/4 x 1	11 / 10 / 150	1.58	1.26	0.146	7.24	1.81	1.42	5.00	4.48	0.114	M6	1.58	9146168
50 x 20	1-1/2 x 1/2	11 / 10 / 150	1.97	0.79	0.181	7.24	1.81	1.42	5.18	4.39	0.075	M6	1.70	9146208
50 x 32	1-1/2 x 1	11 / 10 / 150	1.97	1.26	0.181	7.24	1.81	1.42	5.18	4.59	0.114	M6	1.70	9146211
63 x 32	2 x 1	11 / 10 / 150	2.48	1.26	0.228	7.24	1.81	1.42	5.43	4.59	0.114	M6	2.00	9146249
75 x 32	2-1/2 x 1	11 / 10 / 150	2.95	1.26	0.268	7.24	1.81	1.42	5.83	4.80	0.114	M6	1.98	9146289
90 x 32	3 x 1	11 / 10 / 150	3.54	1.26	0.323	7.24	1.81	1.42	6.18	4.80	0.114	M6	2.58	9146336
110 x 32	4 x 1	11 / 10 / 150	4.33	1.26	0.394	7.72	2.05	1.42	6.69	4.80	0.114	M6	3.13	9146401

The most current up-to-date drawings and CAD models can be found at <https://cad.asahi-america.com/>



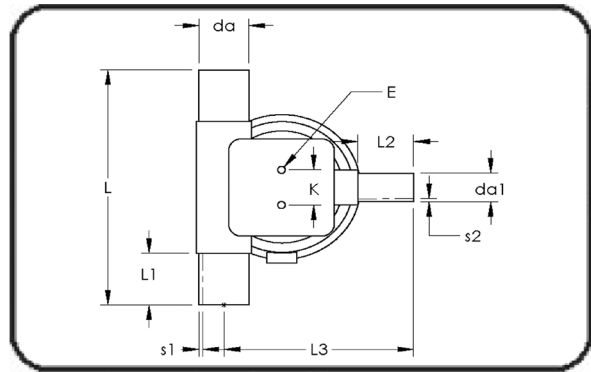
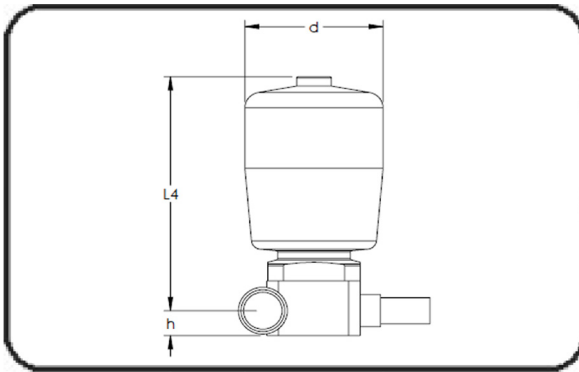
T-343 DIAPHRAGM VALVE w/ SANITARY BRANCH

Size		Dimensions*											Part Number
mm	inch	SDR / MOP (psi)	OD1 (in)	OD2 (in)	s1 (in)	L (in)	t (in)	Z (in)	H (in)	s2 (in)	K	Weight (lbs)	
20 x 20	1/2 x 1/2	11 / 120	0.79	0.79	0.075	6.46	1.42	5.50	4.21	0.075	M6	1.01	912805005
25 x 20	3/4 x 1/2	11 / 120	0.98	0.79	0.091	6.46	1.42	5.63	4.21	0.075	M6	1.08	912805101
25 x 25	3/4 x 3/4	11 / 120	0.98	0.98	0.091	6.46	1.42	5.63	4.21	0.091	M6	1.04	912805007
32 x 20	1 x 1/2	11 / 120	1.26	0.79	0.114	6.46	1.42	5.88	4.21	0.075	M6	1.50	912805130
32 x 25	1 x 3/4	11 / 120	1.26	0.98	0.114	6.46	1.42	5.88	4.21	0.091	M6	1.49	912805131
32 x 32	1 x 1	11 / 120	1.26	1.26	0.114	6.46	1.42	5.88	4.21	0.114	M6	1.48	912805010
40 x 20	1-1/4 x 1/2	11 / 120	1.58	0.79	0.146	7.24	1.81	6.13	4.29	0.075	M6	1.59	912805166
40 x 25	1-1/4 x 3/4	11 / 120	1.58	0.98	0.146	7.24	1.81	6.13	4.29	0.091	M6	1.59	912805167
40 x 32	1-1/4 x 1	11 / 120	1.58	1.26	0.146	7.24	1.81	6.13	4.48	0.114	M6	1.58	912805168
50 x 20	1-1/2 x 1/2	11 / 120	1.97	0.79	0.181	7.24	1.81	6.25	4.39	0.075	M6	1.70	912805208
50 x 32	1-1/2 x 1	11 / 120	1.97	1.26	0.181	7.24	1.81	6.25	4.59	0.114	M6	1.70	912805211
63 x 32	2 x 1	11 / 120	2.48	1.26	0.228	7.24	1.81	6.50	4.59	0.114	M6	2.00	912805249
75 x 32	2-1/2 x 1	11 / 120	2.95	1.26	0.268	7.24	1.81	7.13	4.80	0.114	M6	1.98	912805289
90 x 32	3 x 1	11 / 120	3.54	1.26	0.323	7.24	1.81	7.50	4.80	0.114	M6	2.58	912805336
110 x 32	4 x 1	11 / 120	4.33	1.26	0.394	7.72	2.05	8.00	4.80	0.114	M6	3.13	912805401
20 x 20	1/2 x 1/2	11 / 120	0.79	0.79	0.075	6.46	1.42	5.50	4.21	0.075	M6	1.01	914605005
25 x 20	3/4 x 1/2	11 / 120	0.98	0.79	0.091	6.46	1.42	5.63	4.21	0.075	M6	1.08	914605101
25 x 25	3/4 x 3/4	11 / 120	0.98	0.98	0.091	6.46	1.42	5.63	4.21	0.091	M6	1.04	914605007
32 x 20	1 x 1/2	11 / 120	1.26	0.79	0.114	6.46	1.42	5.88	4.21	0.075	M6	1.50	914605130
32 x 25	1 x 3/4	11 / 120	1.26	0.98	0.114	6.46	1.42	5.88	4.21	0.091	M6	1.49	914605131
32 x 32	1 x 1	11 / 120	1.26	1.26	0.114	6.46	1.42	5.88	4.21	0.114	M6	1.48	914605010
40 x 20	1-1/4 x 1/2	11 / 120	1.58	0.79	0.146	7.24	1.81	6.13	4.29	0.075	M6	1.59	914605166
40 x 25	1-1/4 x 3/4	11 / 120	1.58	0.98	0.146	7.24	1.81	6.13	4.29	0.091	M6	1.59	914605167
40 x 32	1-1/4 x 1	11 / 120	1.58	1.26	0.146	7.24	1.81	6.13	4.48	0.114	M6	1.58	914605168
50 x 20	1-1/2 x 1/2	11 / 120	1.97	0.79	0.181	7.24	1.81	6.25	4.39	0.075	M6	1.70	914605208
50 x 32	1-1/2 x 1	11 / 120	1.97	1.26	0.181	7.24	1.81	6.25	4.59	0.114	M6	1.70	914605211
63 x 32	2 x 1	11 / 120	2.48	1.26	0.228	7.24	1.81	6.50	4.59	0.114	M6	2.00	914605249
75 x 32	2-1/2 x 1	11 / 120	2.95	1.26	0.268	7.24	1.81	7.13	4.80	0.114	M6	1.98	914605289
90 x 32	3 x 1	11 / 120	3.54	1.26	0.323	7.24	1.81	7.50	4.80	0.114	M6	2.58	914605336
110 x 32	4 x 1	11 / 120	4.33	1.26	0.394	7.72	2.05	8.00	4.80	0.114	M6	3.13	914605401

Sanitary adapter is IR welded to the branch.

* Full dimensional data available. Contact Asahi/America with any additional requests.

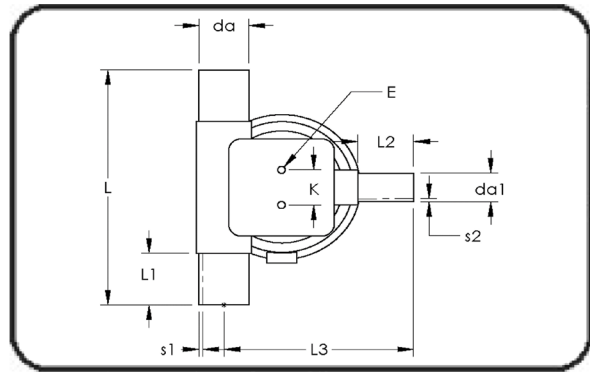
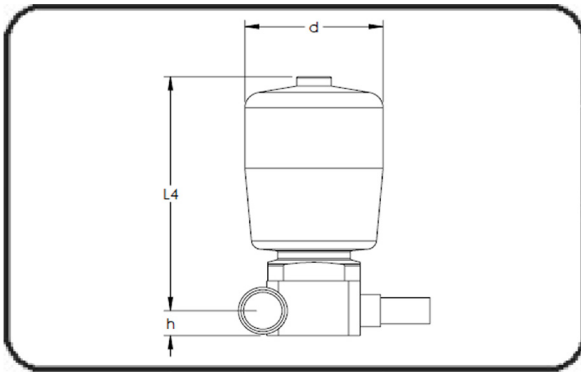
The most current up-to-date drawings and CAD models can be found at <https://cad.asahi-america.com/>



ACTUATED T-343 DIAPHRAGM VALVE - EPDM

Size		Dimensions													Part Number	
mm	inch	SDR / PN / MOP (psi)	da (in)	da1 (in)	s1 (in)	L (in)	L1 (in)	L2 (in)	L3 (in)	L4 (in)	s2 (in)	d (in)	K (in)	E		Weight (lbs)
20 x 20	1/2 x 1/2	11 / 10 / 150	0.79	0.79	0.075	6.46	1.42	1.42	4.41	6.75	0.075	3.98	0.98	M6	3.53	9131005
32 x 20	1 x 1/2	11 / 10 / 150	1.26	0.79	0.114	6.46	1.42	1.42	4.80	6.88	0.075	3.98	0.96	M6	4.72	9131130
32 x 25	1 x 3/4	11 / 10 / 150	1.26	0.98	0.114	6.46	1.42	1.42	4.80	6.88	0.091	3.98	0.96	M6	4.56	9131317
32 x 32	1 x 1	11 / 10 / 150	1.26	1.26	0.114	6.46	1.42	1.42	4.80	7.04	0.114	3.98	0.96	M6	4.56	9131010
40 x 20	1-1/4 x 1/2	11 / 10 / 150	1.57	0.79	0.146	7.24	1.81	1.42	5.00	6.93	0.075	3.98	0.96	M6	4.67	9131166
40 x 25	1-1/4 x 3/4	11 / 10 / 150	1.57	0.98	0.146	7.24	1.81	1.42	5.00	6.93	0.106	3.98	0.96	M6	4.56	9131167
40 x 32	1-1/4 x 1	11 / 10 / 150	1.57	1.26	0.146	7.24	1.81	1.42	5.00	7.09	0.114	3.98	0.96	M6	4.67	9131168
50 x 20	1-1/2 x 1/2	11 / 10 / 150	1.97	0.79	0.181	7.24	1.81	1.42	5.18	7.02	0.075	3.98	0.96	M6	4.83	9131208
50 x 32	1-1/2 x 1	11 / 10 / 150	1.97	1.26	0.181	7.24	1.81	1.42	5.18	7.18	0.114	6.02	0.96	M6	4.41	9131211
63 x 32	2 x 1	11 / 10 / 150	2.48	1.26	0.228	7.24	1.81	1.42	5.43	7.18	0.114	3.98	0.96	M6	4.98	9131249
75 x 32	2-1/2 x 1	11 / 10 / 150	2.95	1.26	0.268	7.24	1.81	1.42	5.83	7.39	0.114	3.98	0.96	M6	4.96	9131289
90 x 32	3 x 1	11 / 10 / 150	3.54	1.26	0.323	7.24	1.81	1.42	6.18	7.39	0.114	3.98	0.96	M6	5.56	9131336
110 x 32	4 x 1	11 / 10 / 150	4.33	1.26	0.394	7.72	2.05	1.42	6.69	7.39	0.114	3.98	0.96	M6	6.11	9131401
20 x 20	1/2 x 1/2	11 / 10 / 150	0.79	0.79	0.075	6.46	1.42	1.42	4.41	6.75	0.075	3.98	0.98	M6	3.53	9132005
32 x 20	1 x 1/2	11 / 10 / 150	1.26	0.79	0.114	6.46	1.42	1.42	4.80	6.88	0.075	3.98	0.96	M6	4.72	9132130
32 x 25	1 x 3/4	11 / 10 / 150	1.26	0.98	0.114	6.46	1.42	1.42	4.80	6.88	0.091	3.98	0.96	M6	4.56	9132317
32 x 32	1 x 1	11 / 10 / 150	1.26	1.26	0.114	6.46	1.42	1.42	4.80	7.04	0.114	3.98	0.96	M6	4.56	9132010
40 x 20	1-1/4 x 1/2	11 / 10 / 150	1.57	0.79	0.146	7.24	1.81	1.42	5.00	6.93	0.075	3.98	0.96	M6	4.67	9132166
40 x 25	1-1/4 x 3/4	11 / 10 / 150	1.57	0.98	0.146	7.24	1.81	1.42	5.00	6.93	0.106	3.98	0.96	M6	4.56	9132167
40 x 32	1-1/4 x 1	11 / 10 / 150	1.57	1.26	0.146	7.24	1.81	1.42	5.00	7.09	0.114	3.98	0.96	M6	4.67	9132168
50 x 20	1-1/2 x 1/2	11 / 10 / 150	1.97	0.79	0.181	7.24	1.81	1.42	5.18	7.02	0.075	3.98	0.96	M6	4.83	9132208
50 x 32	1-1/2 x 1	11 / 10 / 150	1.97	1.26	0.181	7.24	1.81	1.42	5.18	7.18	0.114	6.02	0.96	M6	4.41	9132211
63 x 32	2 x 1	11 / 10 / 150	2.48	1.26	0.228	7.24	1.81	1.42	5.43	7.18	0.114	3.98	0.96	M6	4.98	9132249
75 x 32	2-1/2 x 1	11 / 10 / 150	2.95	1.26	0.268	7.24	1.81	1.42	5.83	7.39	0.114	3.98	0.96	M6	4.96	9132289
90 x 32	3 x 1	11 / 10 / 150	3.54	1.26	0.323	7.24	1.81	1.42	6.18	7.39	0.114	3.98	0.96	M6	5.56	9132336
110 x 32	4 x 1	11 / 10 / 150	4.33	1.26	0.394	7.72	2.05	1.42	6.69	7.39	0.114	3.98	0.96	M6	6.11	9132401
20 x 20	1/2 x 1/2	11 / 10 / 150	0.79	0.79	0.075	6.46	1.42	1.42	4.41	5.69	0.075	3.98	0.98	M6	3.53	9133005
32 x 20	1 x 1/2	11 / 10 / 150	1.26	0.79	0.114	6.46	1.42	1.42	4.80	5.82	0.075	3.98	0.96	M6	4.72	9133130
32 x 25	1 x 3/4	11 / 10 / 150	1.26	0.98	0.114	6.46	1.42	1.42	4.80	6.06	0.091	3.98	0.96	M6	4.56	9133317
32 x 32	1 x 1	11 / 10 / 150	1.26	1.26	0.114	6.46	1.42	1.42	4.80	7.04	0.114	3.98	0.96	M6	4.56	9133010
40 x 20	1-1/4 x 1/2	11 / 10 / 150	1.57	0.79	0.146	7.24	1.81	1.42	5.00	5.87	0.075	3.98	0.96	M6	4.67	9133166
40 x 25	1-1/4 x 3/4	11 / 10 / 150	1.57	0.98	0.146	7.24	1.81	1.42	5.00	6.10	0.106	3.98	0.96	M6	4.56	9133167
40 x 32	1-1/4 x 1	11 / 10 / 150	1.57	1.26	0.146	7.24	1.81	1.42	5.00	7.09	0.114	3.98	0.96	M6	4.67	9133168
50 x 20	1-1/2 x 1/2	11 / 10 / 150	1.97	0.79	0.181	7.24	1.81	1.42	5.18	5.96	0.075	3.98	0.96	M6	4.83	9133208
50 x 32	1-1/2 x 1	11 / 10 / 150	1.97	1.26	0.181	7.24	1.81	1.42	5.18	7.18	0.114	6.02	0.96	M6	4.41	9133211
63 x 32	2 x 1	11 / 10 / 150	2.48	1.26	0.228	7.24	1.81	1.42	5.43	7.18	0.114	3.98	0.96	M6	4.98	9133249
75 x 32	2-1/2 x 1	11 / 10 / 150	2.95	1.26	0.268	7.24	1.81	1.42	5.83	7.39	0.114	3.98	0.96	M6	4.96	9133289
90 x 32	3 x 1	11 / 10 / 150	3.54	1.26	0.323	7.24	1.81	1.42	6.18	7.39	0.114	3.98	0.96	M6	5.56	9133336
110 x 32	4 x 1	11 / 10 / 150	4.33	1.26	0.394	7.72	2.05	1.42	6.69	7.39	0.114	3.98	0.96	M6	6.11	9133401

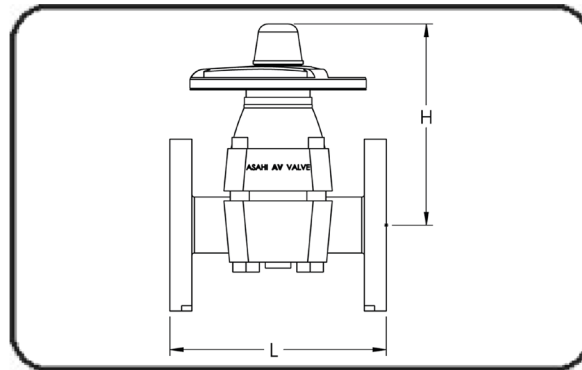
The most current up-to-date drawings and CAD models can be found at <https://cad.asahi-america.com/>



ACTUATED T-343 DIAPHRAGM VALVE - PTFE

Size		Dimensions													Part Number	
mm	inch	SDR / PN / MOP (psi)	da (in)	da1 (in)	s1 (in)	L (in)	L1 (in)	L2 (in)	L3 (in)	L4 (in)	s2 (in)	d (in)	K (in)	E		Weight (lbs)
20 x 20	1/2 x 1/2	11 / 10 / 150	0.79	0.79	0.075	6.46	1.42	1.42	4.41	6.75	0.075	3.98	0.98	M6	3.53	9117005
32 x 20	1 x 1/2	11 / 10 / 150	1.26	0.79	0.114	6.46	1.42	1.42	4.80	6.88	0.075	3.98	0.96	M6	4.72	9117130
32 x 25	1 x 3/4	11 / 10 / 150	1.26	0.98	0.114	6.46	1.42	1.42	4.80	6.88	0.091	3.98	0.96	M6	4.56	9117317
32 x 32	1 x 1	11 / 10 / 150	1.26	1.26	0.114	6.46	1.42	1.42	4.80	7.04	0.114	3.98	0.96	M6	4.56	9117010
40 x 20	1-1/4 x 1/2	11 / 10 / 150	1.57	0.79	0.146	7.24	1.81	1.42	5.00	6.93	0.075	3.98	0.96	M6	4.67	9117166
40 x 25	1-1/4 x 3/4	11 / 10 / 150	1.57	0.98	0.146	7.24	1.81	1.42	5.00	6.93	0.106	3.98	0.96	M6	4.56	9117167
40 x 32	1-1/4 x 1	11 / 10 / 150	1.57	1.26	0.146	7.24	1.81	1.42	5.00	7.09	0.114	3.98	0.96	M6	4.67	9117168
50 x 20	1-1/2 x 1/2	11 / 10 / 150	1.97	0.79	0.181	7.24	1.81	1.42	5.18	7.02	0.075	3.98	0.96	M6	4.83	9117208
50 x 32	1-1/2 x 1	11 / 10 / 150	1.97	1.26	0.181	7.24	1.81	1.42	5.18	7.18	0.114	6.02	0.96	M6	4.41	9117211
63 x 32	2 x 1	11 / 10 / 150	2.48	1.26	0.228	7.24	1.81	1.42	5.43	7.18	0.114	3.98	0.96	M6	4.98	9117249
75 x 32	2-1/2 x 1	11 / 10 / 150	2.95	1.26	0.268	7.24	1.81	1.42	5.83	7.39	0.114	3.98	0.96	M6	4.96	9117289
90 x 32	3 x 1	11 / 10 / 150	3.54	1.26	0.323	7.24	1.81	1.42	6.18	7.39	0.114	3.98	0.96	M6	5.56	9117336
110 x 32	4 x 1	11 / 10 / 150	4.33	1.26	0.394	7.72	2.05	1.42	6.69	7.39	0.114	3.98	0.96	M6	6.11	9117401
20 x 20	1/2 x 1/2	11 / 10 / 150	0.79	0.79	0.075	6.46	1.42	1.42	4.41	6.75	0.075	3.98	0.98	M6	3.53	9142005
32 x 20	1 x 1/2	11 / 10 / 150	1.26	0.79	0.114	6.46	1.42	1.42	4.80	6.88	0.075	3.98	0.96	M6	4.72	9142130
32 x 25	1 x 3/4	11 / 10 / 150	1.26	0.98	0.114	6.46	1.42	1.42	4.80	6.88	0.091	3.98	0.96	M6	4.56	9142317
32 x 32	1 x 1	11 / 10 / 150	1.26	1.26	0.114	6.46	1.42	1.42	4.80	7.04	0.114	3.98	0.96	M6	4.56	9142010
40 x 20	1-1/4 x 1/2	11 / 10 / 150	1.57	0.79	0.146	7.24	1.81	1.42	5.00	6.93	0.075	3.98	0.96	M6	4.67	9142166
40 x 25	1-1/4 x 3/4	11 / 10 / 150	1.57	0.98	0.146	7.24	1.81	1.42	5.00	6.93	0.106	3.98	0.96	M6	4.56	9142167
40 x 32	1-1/4 x 1	11 / 10 / 150	1.57	1.26	0.146	7.24	1.81	1.42	5.00	7.09	0.114	3.98	0.96	M6	4.67	9142168
50 x 20	1-1/2 x 1/2	11 / 10 / 150	1.97	0.79	0.181	7.24	1.81	1.42	5.18	7.02	0.075	3.98	0.96	M6	4.83	9142208
50 x 32	1-1/2 x 1	11 / 10 / 150	1.97	1.26	0.181	7.24	1.81	1.42	5.18	7.18	0.114	6.02	0.96	M6	4.41	9142211
63 x 32	2 x 1	11 / 10 / 150	2.48	1.26	0.228	7.24	1.81	1.42	5.43	7.18	0.114	3.98	0.96	M6	4.98	9142249
75 x 32	2-1/2 x 1	11 / 10 / 150	2.95	1.26	0.268	7.24	1.81	1.42	5.83	7.39	0.114	3.98	0.96	M6	4.96	9142289
90 x 32	3 x 1	11 / 10 / 150	3.54	1.26	0.323	7.24	1.81	1.42	6.18	7.39	0.114	3.98	0.96	M6	5.56	9142336
110 x 32	4 x 1	11 / 10 / 150	4.33	1.26	0.394	7.72	2.05	1.42	6.69	7.39	0.114	3.98	0.96	M6	6.11	9142401
20 x 20	1/2 x 1/2	11 / 10 / 150	0.79	0.79	0.075	6.46	1.42	1.42	4.41	5.69	0.075	3.98	0.98	M6	3.53	9167005
32 x 20	1 x 1/2	11 / 10 / 150	1.26	0.79	0.114	6.46	1.42	1.42	4.80	5.82	0.075	3.98	0.96	M6	4.72	9167130
32 x 25	1 x 3/4	11 / 10 / 150	1.26	0.98	0.114	6.46	1.42	1.42	4.80	6.06	0.091	3.98	0.96	M6	4.56	9167317
32 x 32	1 x 1	11 / 10 / 150	1.26	1.26	0.114	6.46	1.42	1.42	4.80	7.04	0.114	3.98	0.96	M6	4.56	9167010
40 x 20	1-1/4 x 1/2	11 / 10 / 150	1.57	0.79	0.146	7.24	1.81	1.42	5.00	5.87	0.075	3.98	0.96	M6	4.67	9167166
40 x 25	1-1/4 x 3/4	11 / 10 / 150	1.57	0.98	0.146	7.24	1.81	1.42	5.00	6.10	0.106	3.98	0.96	M6	4.56	9167167
40 x 32	1-1/4 x 1	11 / 10 / 150	1.57	1.26	0.146	7.24	1.81	1.42	5.00	7.09	0.114	3.98	0.96	M6	4.67	9167168
50 x 20	1-1/2 x 1/2	11 / 10 / 150	1.97	0.79	0.181	7.24	1.81	1.42	5.18	5.96	0.075	3.98	0.96	M6	4.83	9167208
50 x 32	1-1/2 x 1	11 / 10 / 150	1.97	1.26	0.181	7.24	1.81	1.42	5.18	7.18	0.114	6.02	0.96	M6	4.41	9167211
63 x 32	2 x 1	11 / 10 / 150	2.48	1.26	0.228	7.24	1.81	1.42	5.43	7.18	0.114	3.98	0.96	M6	4.98	9167249
75 x 32	2-1/2 x 1	11 / 10 / 150	2.95	1.26	0.268	7.24	1.81	1.42	5.83	7.39	0.114	3.98	0.96	M6	4.96	9167289
90 x 32	3 x 1	11 / 10 / 150	3.54	1.26	0.323	7.24	1.81	1.42	6.18	7.39	0.114	3.98	0.96	M6	5.56	9167336
110 x 32	4 x 1	11 / 10 / 150	4.33	1.26	0.394	7.72	2.05	1.42	6.69	7.39	0.114	3.98	0.96	M6	6.11	9167401

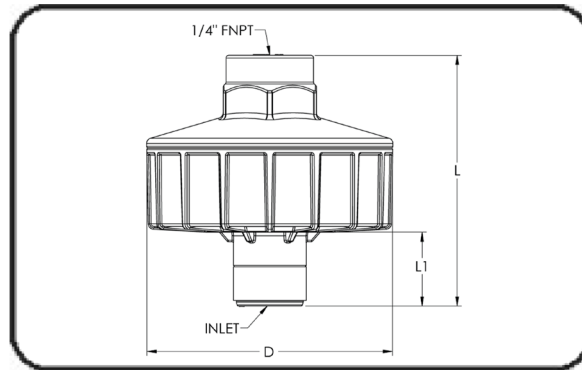
The most current up-to-date drawings and CAD models can be found at <https://cad.asahi-america.com/>



PP TYPE-14/15/G DIAPHRAGM VALVE - FLANGED

Size		Dimensions				Part Number	
mm	inch	PN / MOP (psi)	L (in)	H (in)	Weight (lbs)	PP/EPDM	PP/PTFE
20	1/2	10 / 150	4.25	4.09	1.50	1517005	1439005
25	3/4	10 / 150	5.88	4.17	1.80	1517007	1439007
32	1	10 / 150	5.88	4.37	2.40	1517010	1439010
40	1-1/4	10 / 150	6.38	4.57	3.10	1517012	1439012
50	1-1/2	10 / 150	6.94	6.97	6.20	1517015	1439015
63	2	10 / 150	7.94	7.52	8.00	1517020	1439020
75	2-1/2	10 / 150	9.84	10.47	14.33	1517025	1439025
90	3	10 / 150	10.38	11.02	17.64	1517030	1439030
110	4	10 / 150	12.94	12.95	25.80	1517040	1439040
160	6	10 / 150	18.90	18.74	89.00	1517060	1439060
200	8	10 / 150	22.24	24.69	140.00	1517080	1439080
250	10	10 / 150	26.77	30.63	242.00	1517100	1439100

The most current up-to-date drawings and CAD models can be found at <https://cad.asahi-america.com/>

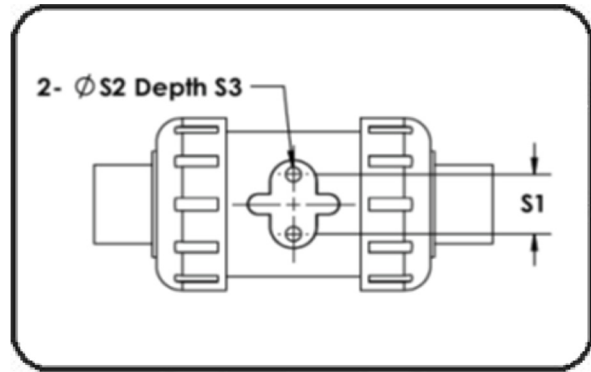
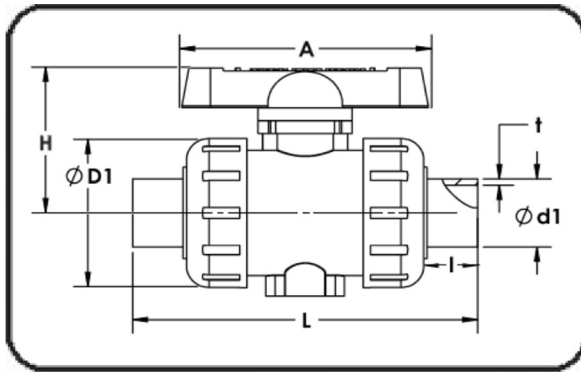


Z801 GAUGE GUARD

Size	Dimensions								Part Number
Inlet	SDR / PN / MOP (psi)	D (in)	L (in)	L1 (in)	da (in)	s1 (in)	SW (in)	Weight (lbs)	
1/4" FNPT	11 / 10 / 150	3.33	4.02	1.00	0.99	-	1.25	0.60	17801309
1/2" FNPT	11 / 10 / 150	3.33	4.02	1.00	1.27	-	1.25	0.60	17801310
25mm Butt	11 / 10 / 150	3.33	4.67	1.65	0.98	0.08	1.25	0.60	17801307
32mm Butt	11 / 10 / 150	3.33	4.67	1.65	1.26	0.09	1.25	0.60	17801308

Gauge not included.

The most current up-to-date drawings and CAD models can be found at <https://cad.asahi-america.com/>

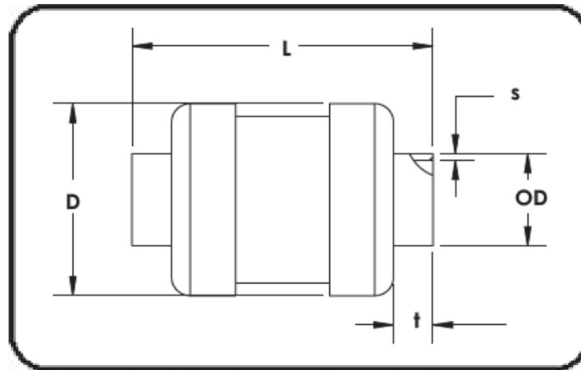


TYPE-21 BALL VALVE

Size		SDR / PN / MOP (psi)	Dimensions											Part Number
mm	inch		D1 (in)	d1 (in)	l (in)	t (in)	L (in)	S1 (in)	S2 (in)	S3 (in)	A (in)	H (in)	Weight (lbs)	
20	1/2	11 / 10 / 150	1.89	0.79	0.73	0.098	4.88	0.75	0.29	0.43	3.60	2.03	0.50	1434005
25	3/4	11 / 10 / 150	2.36	0.98	0.87	0.106	5.67	0.75	0.29	0.43	3.94	2.34	0.80	1434007
32	1	11 / 10 / 150	2.76	1.26	0.87	0.118	6.06	0.75	0.29	0.43	4.33	2.68	1.1	1434010
40	1-1/4	11 / 10 / 150	3.23	1.58	1.02	0.146	6.85	1.18	0.35	0.59	4.76	3.17	2.3	1434012
50	1-1/2	11 / 10 / 150	3.94	1.97	1.26	0.181	7.64	1.18	0.35	0.59	5.16	3.50	2.5	1434015
63	2	11 / 10 / 150	4.96	2.48	1.41	0.228	8.82	1.18	0.35	0.59	6.26	4.04	2.7	1434020
75	2-1/2	11 / 10 / 150	5.24	2.95	1.50	0.272	9.65	1.89	0.35	-	7.87	4.96	6.2	1434025
90	3	11 / 10 / 150	5.98	3.55	1.50	0.323	11.65	2.17	0.43	-	9.45	5.51	9.7	1434030
110	4	11 / 10 / 150	8.27	4.33	1.75	0.394	13.98	2.56	0.43	-	11.81	7.01	24.0	1434040
20	1/2	11 / 10 / 150	1.89	0.79	0.73	0.098	4.88	0.75	0.29	0.43	3.60	2.03	0.5	1485005
25	3/4	11 / 10 / 150	2.36	0.98	0.87	0.106	5.67	0.75	0.29	0.43	3.94	2.34	0.8	1485007
32	1	11 / 10 / 150	2.76	1.26	0.87	0.118	6.06	0.75	0.29	0.43	4.33	2.68	1.1	1485010
40	1-1/4	11 / 10 / 150	3.23	1.58	1.02	0.146	6.85	1.18	0.35	0.59	4.76	3.17	2.3	1485012
50	1-1/2	11 / 10 / 150	3.94	1.97	1.26	0.181	7.64	1.18	0.35	0.59	5.16	3.50	2.5	1485015
63	2	11 / 10 / 150	4.96	2.48	1.41	0.228	8.82	1.18	0.35	0.59	6.26	4.04	2.7	1485020
75	2-1/2	11 / 10 / 150	5.24	2.95	1.50	0.272	9.65	1.89	0.35	-	7.87	4.96	6.2	1485025
90	3	11 / 10 / 150	5.98	3.55	1.50	0.323	11.65	2.17	0.43	-	9.45	5.51	9.7	1485030
110	4	11 / 10 / 150	8.27	4.33	1.75	0.394	13.98	2.56	0.43	-	11.81	7.01	24.0	1485040

Supplied cleaned and bagged.
 Specialty connections required for beadless fusion, additional charges apply.

The most current up-to-date drawings and CAD models can be found at <https://cad.asahi-america.com/>

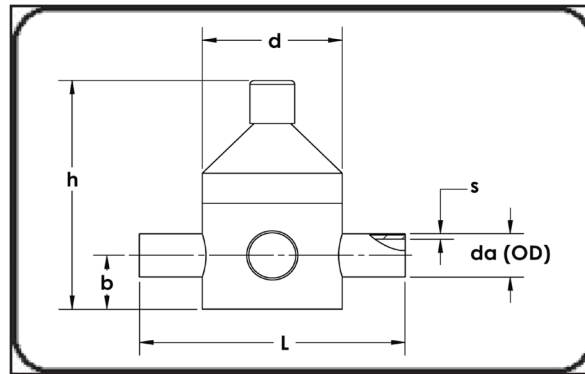


BALL CHECK VALVE

Size		Dimensions						Part Number
mm	inch	SDR / PN / MOP (psi)	D (in)	L (in)	t (in)	s (in)	Weight (lbs)	
20	1/2	11 / 10 / 150	1.87	4.00	1.67	0.10	0.35	1436005
25	3/4	11 / 10 / 150	2.28	4.35	1.75	0.11	0.59	1436007
32	1	11 / 10 / 150	2.55	4.75	1.75	0.12	0.88	1436010
40	1-1/4	11 / 10 / 150	3.12	5.57	1.88	0.14	2.05	1436012
50	1-1/2	11 / 10 / 150	3.57	5.75	1.95	0.18	2.05	1436015
63	2	11 / 10 / 150	4.36	6.50	1.97	0.23	2.78	1436020
90	3	11 / 10 / 150	5.98	11.67	1.49	0.32	6.17	1436030
110	4	11 / 10 / 150	8.27	13.93	1.75	0.39	14.99	1436040
20	1/2	11 / 10 / 150	1.87	4.00	1.67	0.10	0.35	1430005
25	3/4	11 / 10 / 150	2.28	4.35	1.75	0.11	0.59	1430007
32	1	11 / 10 / 150	2.55	4.75	1.75	0.12	0.88	1430010
40	1-1/4	11 / 10 / 150	3.12	5.57	1.88	0.14	2.05	1430012
50	1-1/2	11 / 10 / 150	3.57	5.75	1.95	0.18	2.05	1430015
63	2	11 / 10 / 150	4.36	6.50	1.97	0.23	2.78	1430020
90	3	11 / 10 / 150	5.98	11.67	1.49	0.32	6.17	1430030
110	4	11 / 10 / 150	8.27	13.93	1.75	0.39	14.99	1430040

Supplied cleaned and bagged.
Specialty connections required for beadless fusion, additional charges apply.

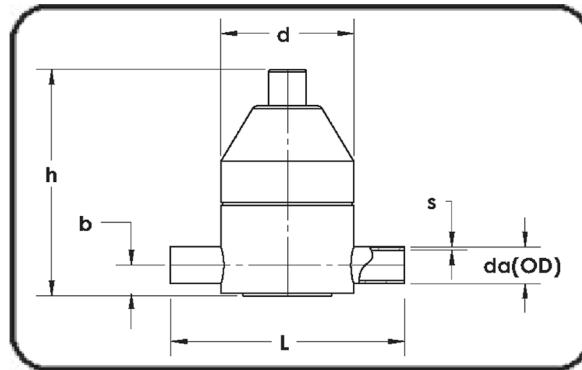
The most current up-to-date drawings and CAD models can be found at <https://cad.asahi-america.com/>



V182/82 PRESSURE REGULATOR WITH GAUGE GUARD

Size		Dimensions								Part Number
mm	inch	SDR / PN / MOP (psi)	da(OD) (in)	s (in)	L (in)	d (in)	h (in)	b (in)	Weight (lbs)	
20	1/2	11 / 10 / 150	0.79	0.07	5.91	2.76	5.12	1.18	1.47	910251005
25	3/4	11 / 10 / 150	0.98	0.09	7.48	3.94	6.69	1.57	2.18	910251007
32	1	11 / 10 / 150	1.26	0.11	7.48	3.94	6.69	1.57	2.23	910251010
40	1-1/4	11 / 10 / 150	1.57	0.15	9.45	5.12	9.06	2.17	6.10	910251012
50	1-1/2	11 / 10 / 150	1.97	0.18	9.45	5.12	9.06	2.17	6.06	910251015
63	2	11 / 10 / 150	2.48	0.23	10.24	6.10	11.22	2.95	8.56	910251020
20	1/2	11 / 10 / 150	0.79	0.07	5.91	2.76	5.12	1.18	1.47	910241005
25	3/4	11 / 10 / 150	0.98	0.09	7.48	3.94	6.69	1.57	2.18	910241007
32	1	11 / 10 / 150	1.26	0.11	7.48	3.94	6.69	1.57	2.23	910241010
40	1-1/4	11 / 10 / 150	1.57	0.15	9.45	5.12	9.06	2.17	6.10	910241012
50	1-1/2	11 / 10 / 150	1.97	0.18	9.45	5.12	9.06	2.17	6.06	910241015
63	2	11 / 10 / 150	2.48	0.23	10.24	6.10	11.22	2.95	8.56	910241020

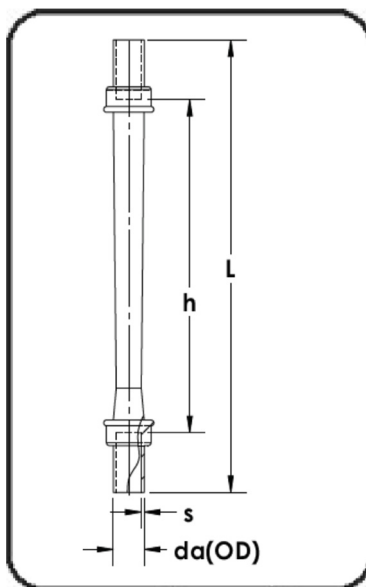
The most current up-to-date drawings and CAD models can be found at <https://cad.asahi-america.com/>



V186 BACK PRESSURE REGULATOR

Size		Dimensions								Part Number
mm	inch	SDR / PN / MOP (psi)	da(OD) (in)	s (in)	L (in)	d (in)	h (in)	b (in)	Weight (lbs)	
20	1/2	11 / 10 / 150	0.79	0.08	6.22	3.27	5.39	0.79	0.83	910254005
25	3/4	11 / 10 / 150	0.98	0.09	6.22	3.27	5.39	0.79	0.82	910254007
32	1	11 / 10 / 150	1.26	0.11	7.80	4.41	7.84	1.06	2.28	910254010
40	1-1/4	11 / 10 / 150	1.58	0.15	7.95	4.41	7.84	1.06	2.27	910254012
50	1-1/2	11 / 10 / 150	1.97	0.18	10.08	6.50	11.42	1.69	10.46	910254015
63	2	11 / 10 / 150	2.48	0.23	10.08	6.50	11.42	1.69	10.22	910254020
20	1/2	11 / 10 / 150	0.79	0.08	6.22	3.27	5.39	0.79	0.83	910244005
25	3/4	11 / 10 / 150	0.98	0.09	6.22	3.27	5.39	0.79	0.82	910244007
32	1	11 / 10 / 150	1.26	0.11	7.80	4.41	7.84	1.06	2.28	910244010
40	1-1/4	11 / 10 / 150	1.58	0.15	7.95	4.41	7.84	1.06	2.27	910244012
50	1-1/2	11 / 10 / 150	1.97	0.18	10.08	6.50	11.42	1.69	10.46	910244015
63	2	11 / 10 / 150	2.48	0.23	10.08	6.50	11.42	1.69	10.22	910244020

The most current up-to-date drawings and CAD models can be found at <https://cad.asahi-america.com/>



M335 FLOWMETER

Size		Dimensions							Part Number
mm	inch	Flow Rate	SDR / PN / MOP (psi)	da(OD) (in)	L (in)	h (in)	s (in)	Weight (lbs)	
20	1/2	0.44 - 4.4 GPM (100 - 1000 LPH)	11 / 10 / 150	0.79	16.39	13.19	0.075	1.1	910247010
25	3/4	0.44 - 4.4 GPM (100 - 1000 LPH)	11 / 10 / 150	0.98	16.39	13.19	0.091	1.1	910247011
25	3/4	0.88 - 8.8 GPM (200 - 2000 LPH)	11 / 10 / 150	0.98	16.39	13.19	0.091	2.7	910247012
32	1	0.88 - 8.8 GPM (200 - 2000 LPH)	11 / 10 / 150	1.26	16.39	13.19	0.114	2.7	910247013
25	3/4	1.1 - 11 GPM (250 - 2500 LPH)	11 / 10 / 150	0.98	16.39	13.19	0.091	1.3	910247014
32	1	1.1 - 11 GPM (250 - 2500 LPH)	11 / 10 / 150	1.26	16.39	13.19	0.114	1.3	910247015
32	1	1.32 - 13.2 GPM (300 - 3000 LPH)	11 / 10 / 150	1.26	16.39	13.19	0.114	2.7	910247016
40	1-1/4	1.32 - 13.2 GPM (300 - 3000 LPH)	11 / 10 / 150	1.58	16.39	13.19	0.146	2.7	910247017
40	1-1/4	2.64 - 26.4 GPM (600 - 6000 LPH)	11 / 10 / 150	1.58	16.39	13.19	0.146	2.7	910247018
50	1-1/2	2.64 - 26.4 GPM (600 - 6000 LPH)	11 / 10 / 150	1.97	16.39	13.19	0.181	2.7	910247019
63	2	2.64 - 26.4 GPM (600 - 6000 LPH)	11 / 10 / 150	2.48	16.39	13.19	0.228	2.7	910247020
50	1-1/2	4.4 - 44 GPM (1000 - 10000 LPH)	11 / 10 / 150	1.97	16.59	13.19	0.181	2.7	910247021
63	2	4.4 - 44 GPM (1000 - 10000 LPH)	11 / 10 / 150	2.48	16.59	13.19	0.228	2.7	910247022
63	2	6.6 - 66 GPM (1500 - 15000 LPH)	11 / 10 / 150	2.48	16.59	13.19	0.228	4.0	910247024
63	2	8.8 - 88 GPM (2000 - 20000 LPH)	11 / 10 / 150	2.48	16.79	13.19	0.228	6.4	910247027
75	2-1/2	8.8 - 88 GPM (2000 - 20000 LPH)	11 / 10 / 150	2.95	16.79	13.19	0.268	6.4	910247028
90	3	8.8 - 88 GPM (2000 - 20000 LPH)	11 / 10 / 150	3.54	16.79	13.19	0.169	6.4	910247029
75	2-1/2	13.2 - 132 GPM (3000 - 30000 LPH)	11 / 10 / 150	2.95	16.79	13.19	0.268	6.4	910247031
90	3	13.2 - 132 GPM (3000 - 30000 LPH)	11 / 10 / 150	3.54	16.79	13.19	0.169	6.4	910247032

The most current up-to-date drawings and CAD models can be found at <https://cad.asahi-america.com/>