

# TYPE-14 A/P PST-A202DN SMART (ELECTRO-PNEUMATIC) POSITIONER



## TECHNICAL SPECIFICATION:

<b>Input Current:</b>	4 - 20mA
<b>Supply Air Pressure:</b>	60 - 75psi
<b>Resolution:</b>	0.2% of Span
<b>Linearity:</b>	(+/-) 0.51% of Span
<b>Hysteresis:</b>	0.5% of Span
<b>Repeatability:</b>	0.2% of Span
<b>Air Connections:</b>	1/4" NPT
<b>Conduit Entry:</b>	1/2" NPT

## FEATURES:

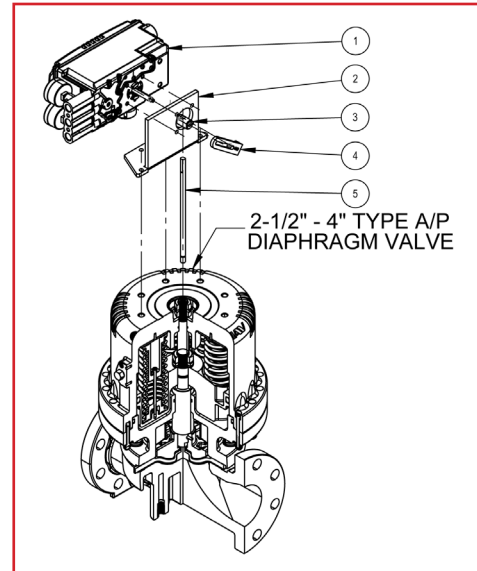
- Simple calibration of positioner with autocal pushbuttons located inside of positioner housing
- Transmitter
- NEMA Type 4X enclosure
- Corrosion-resistant polyester powder-coated enclosure
- Stainless steel trim
- LCD visual position indication shown in percentage
- Pressure gauges
- 1/2" conduit entry
- 1/4" NPT air connection
- Split range capability
- Reverse acting capability
- Temperature limit of 185° F
- High vibration environments

## OPTIONS:

- 2-SPDT mechanical switches
- HART capability
- 316 stainless steel enclosure
- ATEX Ex ia IIC T5.T6 enclosure

## SAMPLE SPECIFICATION:

All Type A/P I/P modulating valves shall be equipped with the PST-A202DN SMART (electro-pneumatic) positioner. Positioner housing shall be polyester powder coated meeting NEMA Type 4X, with stainless steel shaft and hardware, and visual position indication (LCD). Positioner shall be Autocal design, equipped with pressure gauges, and a transmitter as supplied by Asahi/America, Inc.

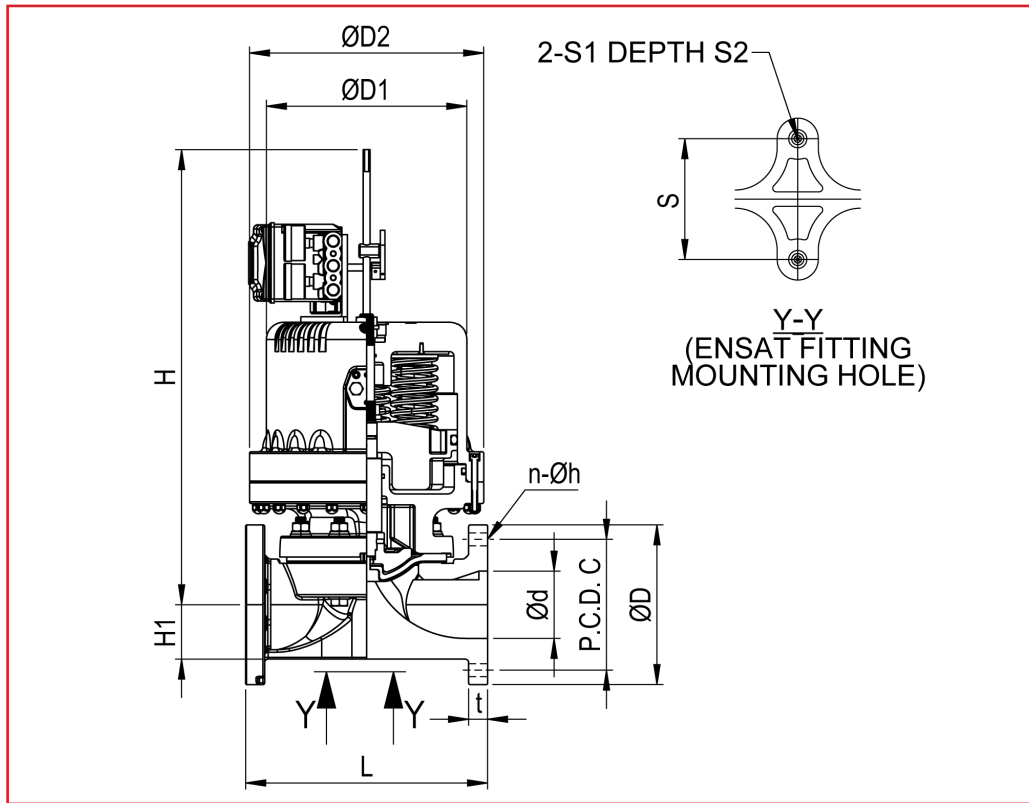


Item #	Part #	Description
1	2464422	4-20 Positioner PST-A202DN
2	2462009	PST-A202DN Bracket
3	1000923	Rod Adapter
4	1770090	Swing Arm
5	1770095	Connection Rod

Note: includes one of each item

# TYPE-14 A/P PST-A202DN SMART (ELECTRO-PNEUMATIC) POSITIONER

## DIMENSIONS:



Nominal Size		d	ANSI Class 150				D1	D2	L	Lift	t		H		H1	S	S1	S2
inch	mm		D	C	n	h					PVC CPVC	PP PVDF	Air-to-Air	Spring-to-Close				
2-1/2	65	2.64	7.00	5.50	4.00	0.75	8.50	10.04	9.84	1.34	0.87	0.91	20.73	20.73	2.40	3.35	M8	0.59
3	80	3.07	7.50	6.00	4.00	0.75	9.13	10.67	11.02	1.65	0.87	0.91	21.64	22.14	2.48	3.94	M12	0.87
4	100	3.94	9.00	7.50	8.00	0.75	10.87	12.40	13.39	1.97	0.87	0.94	23.69	24.60	3.07	4.72	M12	0.87

## PRESSURE VS. TEMPERATURE (psi, water, non-shock)

Nominal Size		PVC		CPVC				PP				PVDF			
		All Diaphragms		All Diaphragms				All Diaphragms				PTFE Diaphragm			
		30° F 105° F	106° F 140° F	30° F 105° F	106° F 140° F	141° F 175° F	176° F 195° F	-5° F 105° F	106° F 140° F	141° F 175° F	176° F 195° F	-40° F 140° F	141° F 175° F	176° F 210° F	211° F 250° F
inch	mm														
2-1/2	65	150	115	150	120	95	85	150	120	95	85	150	115	85	70
3	80	150	115	150	120	95	85	150	120	95	85	150	115	85	70
4	100	150	115	150	120	95	85	150	120	95	85	150	115	85	70

## CAUTION:

- After replacing diaphragm, do not tighten bolts for bonnet and body with diaphragm in the closed position
- Excessive force could damage bonnet or body
- Fully vacuum-rated at 2-1/2"
- Never remove valve from pipeline under pressure
- Always wear protective gloves and goggles

Vacuum Rating		
inch	Rubber Diaphragms (inch)	PTFE Diaphragms (inch)
3	-25.59	-9.84
4	-19.69	-3.94