

TYPE-14 A/P PNEUMATIC DIAPHRAGM VALVE W/ DOUBLE LIMIT SWITCH AND SOLENOID



TECHNICAL SPECIFICATION:

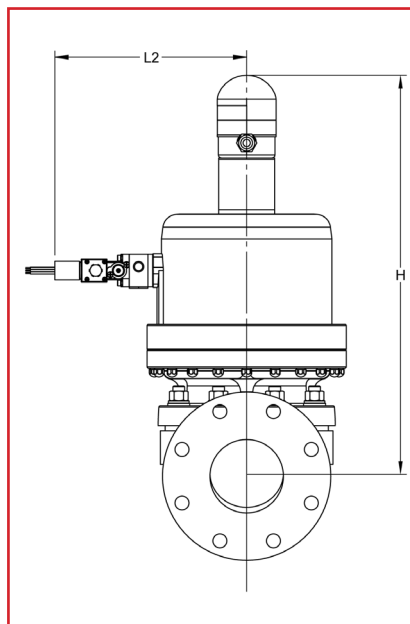
Protection:	NEMA Type 4X
Materials:	Polyamide, PC, st
Electrical Connection:	1/2" NPT conduit for solenoid Cable gland (0.31-0.51) for double limit switch
Switches:	2-SPDT 5A
Coil Voltage:	120 VAC 50/60 Hz
Coil Wattage:	6.3

FEATURES:

- NEMA Type 4X protection
- Polyamide/stainless steel
- Compatible with single acting & double acting Type A/P pneumatic actuators
- 2-SPDT 5A mechanical switches
- NAMUR pad for direct mounting of solenoid
- Combination 3-way / 4-way
- Manual override of the solenoid
- Easily adjustable speed controls

OPTIONS:

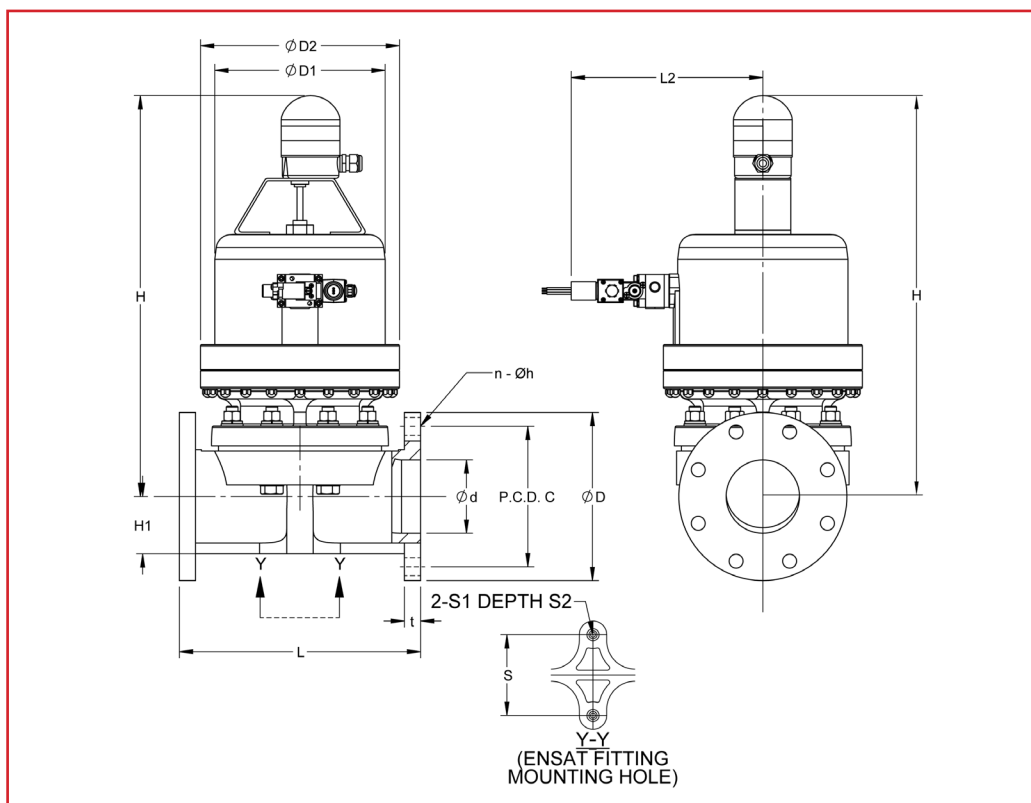
- Voltages: 12 VDC, 24 VDC, 24 VAC, 220 VAC



Nominal Size		H	
inch	mm	Air-to-Air	Spring-to-Close
2-1/2	65	19.18	19.18
3	80	19.76	20.27
4	100	21.49	22.40

TYPE-14 A/P PNEUMATIC DIAPHRAGM VALVE W/ DOUBLE LIMIT SWITCH AND SOLENOID

DIMENSIONS:



Nominal Size		d	ANSI Class 150				D1	D2	L	L2	Lift	t		H		H1	S	S1	S2
inch	mm		D	C	n	h						PVC CPVC	PP PVDF	Air-to-Air	Spring-to-Close				
2-1/2	65	2.64	7.00	5.50	4.00	0.75	8.50	10.04	9.84	10.29	1.34	0.87	0.91	19.18	19.18	2.40	3.35	M8	0.59
3	80	3.07	7.50	6.00	4.00	0.75	9.13	10.67	11.02	10.61	1.65	0.87	0.91	19.76	20.27	2.48	3.94	M12	0.87
4	100	3.94	9.00	7.50	8.00	0.75	10.87	12.40	13.39	11.48	1.97	0.87	0.94	21.49	22.40	3.07	4.72	M12	0.87

PRESSURE VS. TEMPERATURE (psi, water, non-shock)

Nominal Size		PVC		CPVC				PP				PVDF			
		All Diaphragms		All Diaphragms				All Diaphragms				PTFE Diaphragm			
		30° F 105° F	106° F 140° F	30° F 105° F	106° F 140° F	141° F 175° F	176° F 195° F	-5° F 105° F	106° F 140° F	141° F 175° F	176° F 195° F	-40° F 140° F	141° F 175° F	176° F 210° F	211° F 250° F
inch	mm														
2-1/2	65	150	115	150	120	95	85	150	120	95	85	150	115	85	70
3	80	150	115	150	120	95	85	150	120	95	85	150	115	85	70
4	100	150	115	150	120	95	85	150	120	95	85	150	115	85	70

CAUTION:

- After replacing diaphragm, do not tighten bolts for bonnet and body with diaphragm in the closed position
- Excessive force could damage bonnet or body
- Fully vacuum-rated at 2-1/2"
- Never remove valve from pipeline under pressure
- Always wear protective gloves and goggles

Vacuum Rating		
inch	Rubber Diaphragms (inch)	PTFE Diaphragms (inch)
3	-25.59	-9.84
4	-19.69	-3.94