

TYPE-14 A/P PNEUMATIC DIAPHRAGM VALVE W/ DOUBLE LIMIT SWITCH



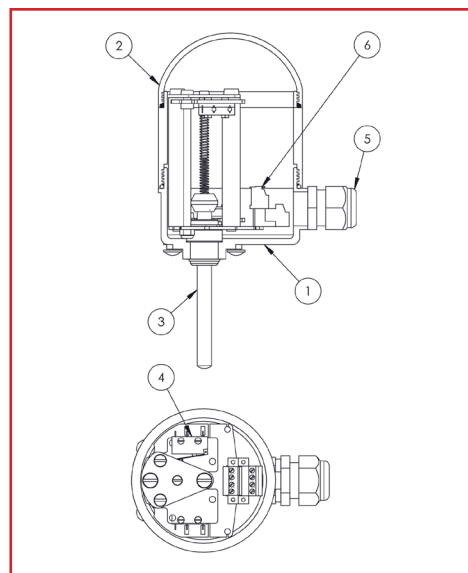
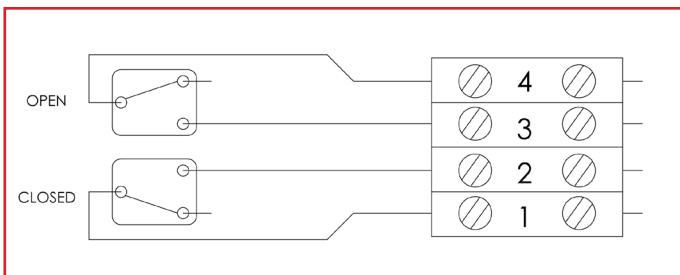
TECHNICAL SPECIFICATION:

Temperature:	-20° C to 70° C
Limit Switches:	2 SPDT, 5A, Mechanical
Base:	Polyamide
Shaft:	304 Stainless steel
Cover:	Polycarbonate
Bracket:	304 Stainless steel
Fasteners:	304 Stainless steel
Protection:	NEMA Type 4X
Electrical Connection:	Cable gland
Voltage:	5A, 250 VAC (clamp range of 0.31" - 0.51")

FEATURES:

- Polyamide/polycarbonate enclosure
- NEMA Type 4X enclosure
- 5A mechanical switches
- Easily adjustable switches
- Stainless steel trim
- Works with single acting and double acting Type A/P pneumatic actuators
- Temperature limit of 70° C

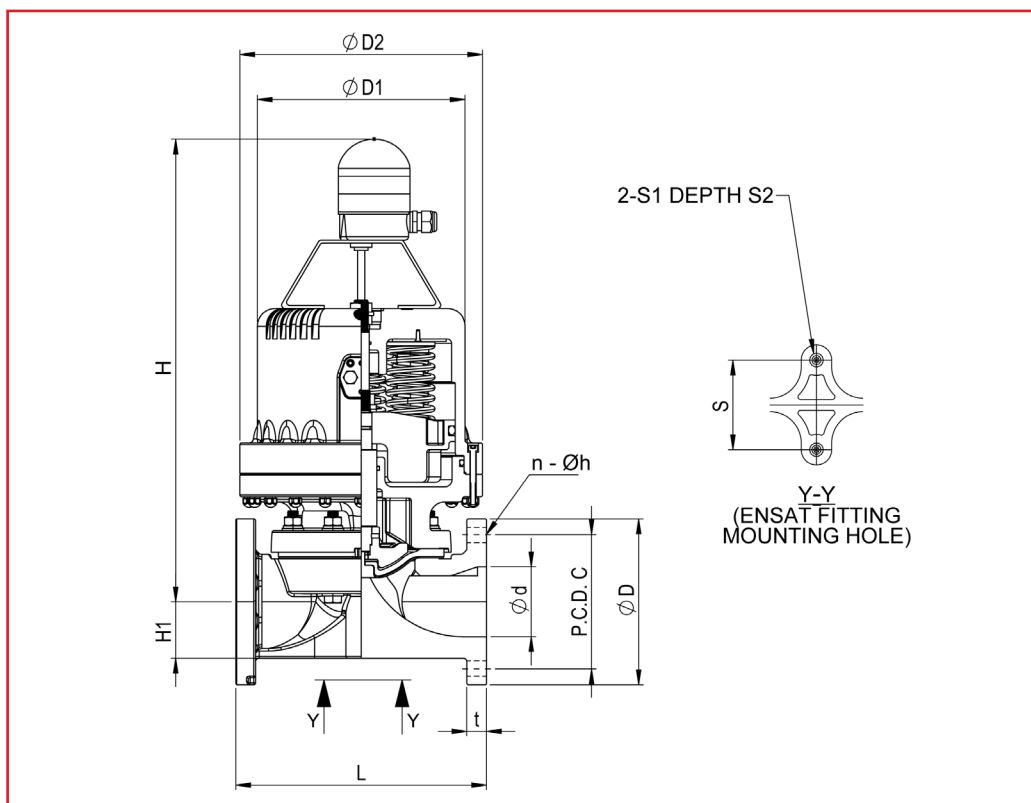
WIRING DIAGRAM:



Item #	Description	Qty.
1	Polyamide Base	1
2	Polycarbonate Cover	1
3	304 Stainless Steel Shaft	1
4	Crouzet SPDT Switch	2
5	Cable Gland	1
6	Terminal Block	1

TYPE-14 A/P PNEUMATIC DIAPHRAGM VALVE W/ DOUBLE LIMIT SWITCH

DIMENSIONS:



Nominal Size		d	ANSI Class 150				D1	D2	L	Lift	t		H		H1	S	S1	S2
inch	mm		D	C	n	h					PVC CPVC	PP PVDF	Air-to-Air	Spring-to-Close				
2-1/2	65	2.64	7.00	5.50	4.00	0.75	8.50	10.04	9.84	1.34	0.87	0.91	19.18	19.18	2.40	3.35	M8	0.59
3	80	3.07	7.50	6.00	4.00	0.75	9.13	10.67	11.02	1.65	0.87	0.91	19.76	20.27	2.48	3.94	M12	0.87
4	100	3.94	9.00	7.50	8.00	0.75	10.87	12.40	13.39	1.97	0.87	0.94	21.49	22.40	3.07	4.72	M12	0.87

PRESSURE VS. TEMPERATURE (psi, water, non-shock)

Nominal Size		PVC		CPVC				PP				PVDF			
		All Diaphragms		All Diaphragms				All Diaphragms				PTFE Diaphragm			
		30° F 105° F	106° F 140° F	30° F 105° F	106° F 140° F	141° F 175° F	176° F 195° F	-5° F 105° F	106° F 140° F	141° F 175° F	176° F 195° F	-40° F 140° F	141° F 175° F	176° F 210° F	211° F 250° F
inch	mm														
2-1/2	65	150	115	150	120	95	85	150	120	95	85	150	115	85	70
3	80	150	115	150	120	95	85	150	120	95	85	150	115	85	70
4	100	150	115	150	120	95	85	150	120	95	85	150	115	85	70

CAUTION:

- After replacing diaphragm, do not tighten bolts for bonnet and body with diaphragm in the closed position
- Excessive force could damage bonnet or body
- Fully vacuum-rated at 2-1/2"
- Never remove valve from pipeline under pressure
- Always wear protective gloves and goggles

Vacuum Rating		
inch	Rubber Diaphragms (inch)	PTFE Diaphragms (inch)
3	-25.59	-9.84
4	-19.69	-3.94