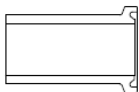

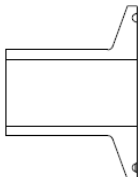
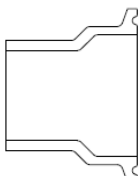
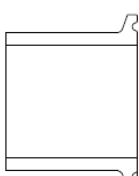

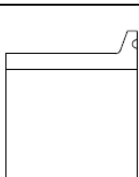

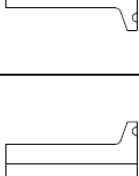

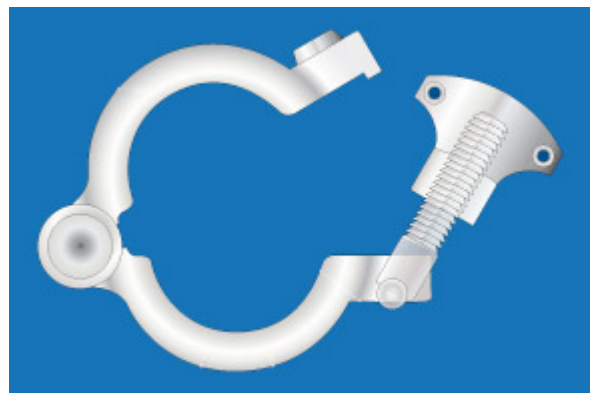


Triclamps or **Sanitary Adapters** are used primarily on stainless steel systems to ease sanitization processes. The quickly disconnected fitting offers a hygienic connection between different equipment. Gaskets are designed to match the ID of the pipe and provide a smooth transition between each side. Since passivation of welded thermoplastic piping systems is not required, Sanitary Adapters are not widely used. It does make a great transition from SS to plastic systems and can be used to connect to existing equipment.

Pipe OD	Cap	Clamp	Gasket
20mm		 3/4" Mini	3/4"
25mm		1-1/2" Maxi	1"
32mm		1-1/2" Maxi	1-1/2"
40mm		 1-1/2" Maxi	1-1/2"
50mm		 2"	2"
63mm		 2-1/2"	2-1/2"



Asahi Product Offering

All of Asahi's piping materials offer sanitary triclamp connections as well as several different standard gaskets and clamp materials. For custom options, please consult Engineering.

Fitting: PVDF, PPn, PP, E-CTFE

Gasket: EPDM, FKM and PTFE

Clamp: Stainless, Nylon

Size: 20-63mm pressure rated
up to 6" x 160mm non rated

