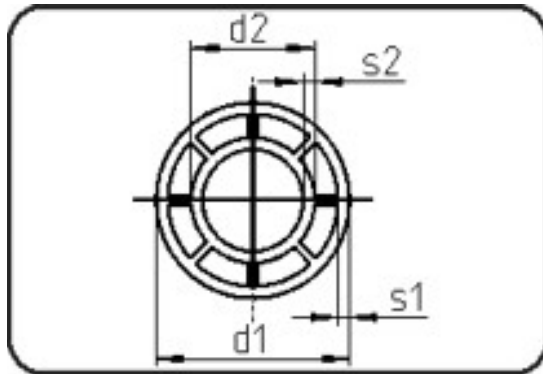




Poly-Flo[®] Double Wall Piping System Dimensional Guide



Rev. 11/2024

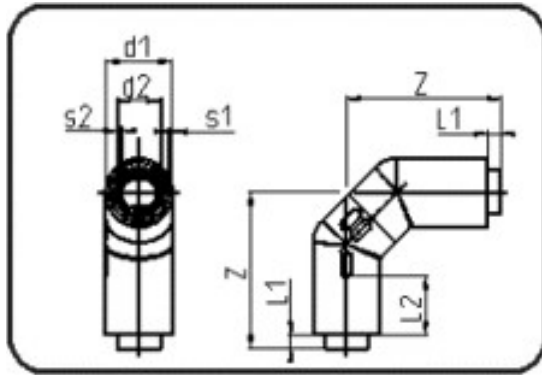


- Poly-Flo® Pipe 5m (16.4')
- Extruded
- Simultaneous & staggered welding

PIPE

Size ¹		Dimensions								Part Number	
mm	inch	SDR ¹	MOP (psi)	s1 (in)	s2 (in)	d1 (in)	d2 (in)	Weight (lbs/ft)		PP-R	PE100-RC
								PP-R	PE100-RC		
32 x 50	1 x 1-1/2	11 x 17	150 x 90	0.12	0.12	1.97	1.26	0.53	0.56	507850211	587850211
63 x 90	2 x 3	11 x 17	150 x 90	0.21	0.23	3.54	2.48	1.69	1.78	507850338	587850338
110 x 160	4 x 6	11 x 17	150 x 90	0.37	0.39	6.30	4.33	5.05	5.33	507850532	587850532
160 x 225	6 x 9	11 x 17	150 x 90	0.53	0.57	8.86	6.30	9.83	10.37	507850606	587850606
110 x 160	4 x 6	17 x 33	90 x 45	0.19	0.26	6.30	4.33	2.99	3.15	507817532	587817532
160 x 225	6 x 9	17 x 33	90 x 45	0.27	0.37	8.86	6.30	5.99	6.32	507817606	587817606

1. Carrier x Containment

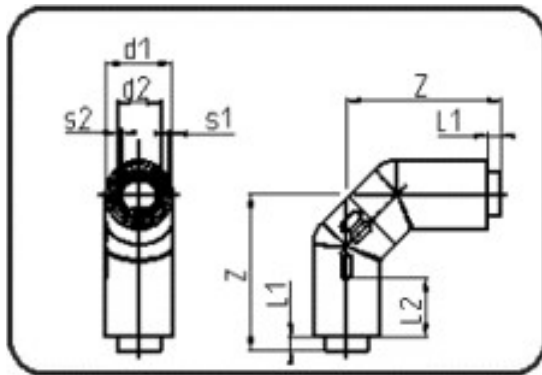


- Poly-Flo® elbow 90°
- Made from two (2) elbows 45°
- Injection molded + welded
- Simultaneous & staggered welding
- Short radius - ideal for pressure applications

90 DEGREE ELBOW - SHORT RADIUS

Size ¹		Dimensions										Part Number		
mm	inch	SDR ¹	MOP (psi)	s1 (in)	s2 (in)	d1 (in)	d2 (in)	z (in)	L1 (in)	L2 (in)	Weight (lbs)		PP-R	PE100-RC
											PP-R	PE100-RC		
32 x 50	1 x 1-1/2	11 x 17	150 x 90	0.12	0.12	1.97	1.26	4.76	0.28	1.69	0.37	0.54	507868211	587868211
63 x 90	2 x 3	11 x 17	150 x 90	0.21	0.23	3.54	2.48	5.75	0.39	2.09	1.47	1.56	507868338	587868338
110 x 160	4 x 6	11 x 17	150 x 90	0.37	0.39	6.30	4.33	9.69	0.39	2.87	7.04	7.61	507868532	587868532

1. Carrier x Containment

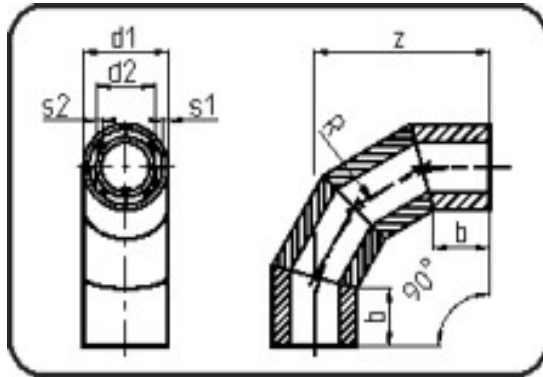


- Poly-Flo® elbow 90°
- Made from two (2) elbows 45°
- Injection molded + welded
- Simultaneous & staggered welding
- Long radius - ideal for drainage applications

90 DEGREE ELBOW - LONG RADIUS

Size ¹		Dimensions										Part Number		
mm	inch	SDR ¹	MOP (psi)	s1 (in)	s2 (in)	d1 (in)	d2 (in)	z (in)	L1 (in)	L2 (in)	Weight (lbs)		PP-R	PE100-RC
											PP-R	PE100-RC		
32 x 50	1 x 1-1/2	11 x 17	150 x 90	0.12	0.12	1.97	1.26	6.50	0.28	1.69	0.51	0.54	507853211	587853211
63 x 90	2 x 3	11 x 17	150 x 90	0.21	0.23	3.54	2.48	7.13	0.39	2.09	1.89	1.99	507853338	587853338
110 x 160	4 x 6	11 x 17	150 x 90	0.37	0.39	6.30	4.33	10.00	0.39	2.87	8.07	8.51	507853532	587853532

1. Carrier x Containment

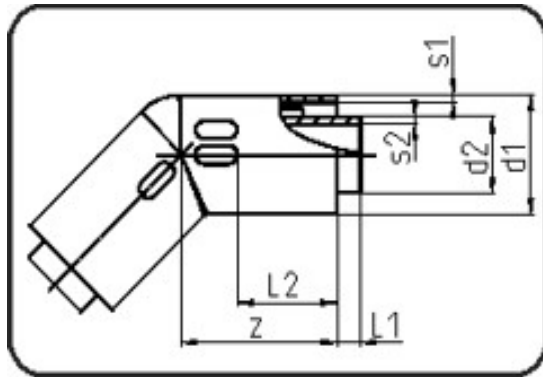


- Poly-Flo® elbow 90°
- Four (4) segments
- Derating factor 0.8
- Segmented
- Simultaneous & staggered welding

90 DEGREE MITERED ELBOW

Size ¹		Dimensions										Part Number		
mm	inch	SDR ¹	MOP (psi)	s1 (in)	s2 (in)	d1 (in)	d2 (in)	z (in)	L1 (in)	b (in)	Weight (lbs)		PP-R	PE100-RC
											PP-R	PE100-RC		
160 x 110	4 x 6	17 x 33	72 x 36	0.19	0.26	6.30	4.33	9.29	0.39	1.97	4.58	4.83	507904532	587904532
225 x 160	6 x 9	17 x 33	72 x 36	0.27	0.37	8.86	6.30	15.59	0.39	4.33	12.79	13.49	507904606	587904606
225 x 160	6 x 9	11 x 17	120 x 72	0.53	0.57	8.86	6.30	15.59	0.39	4.33	20.90	22.05	507863606	587863606

1. Carrier x Containment

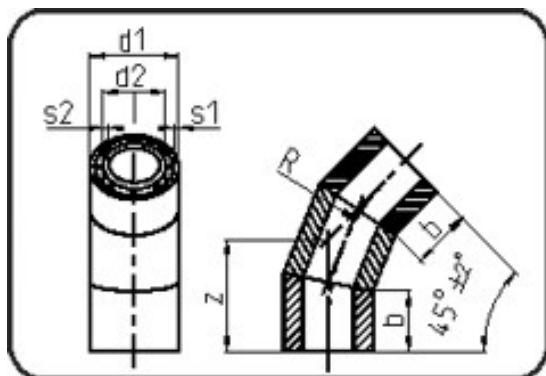


- Poly-Flo® elbow 45°
- Injection molded
- Simultaneous & staggered welding

45 DEGREE MOLDED ELBOW

Size ¹		Dimensions										Part Number		
mm	inch ²	SDR ¹	MOP (psi)	s1 (in)	s2 (in)	d1 (in)	d2 (in)	z (in)	L1 (in)	L2 (in)	Weight (lbs)		PP-R	PE100-RC
											PP-R	PE100-RC		
32 x 50	1 x 1-1/2	11 x 17	150 x 90	0.12	0.12	1.97	1.26	2.76	0.28	1.81	0.25	0.27	507870211	587870211
63 x 90	2 x 3	11 x 17	150 x 90	0.21	0.23	3.54	2.48	3.03	0.39	2.09	0.94	1.00	507870338	587870338
110 x 160	4 x 6	11 x 17	150 x 90	0.37	0.39	6.30	4.33	4.21	0.39	2.87	4.03	4.25	507870532	587870532

1. Carrier x Containment

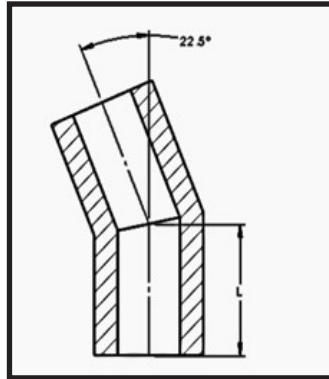
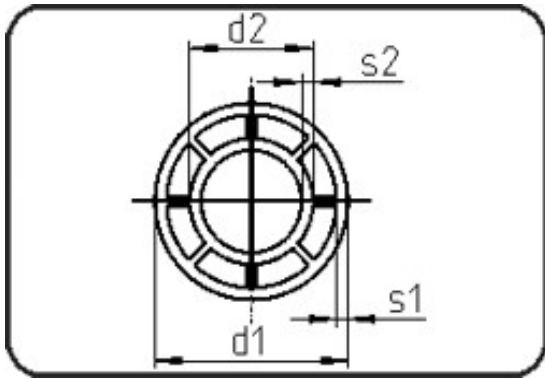


- Poly-Flo® elbow 45°
- Three (3) segments
- Derating factor 0.8
- Segmented
- Simultaneous & staggered welding

45 DEGREE MITERED ELBOW

Size ¹		Dimensions										Part Number		
mm	inch	SDR ¹	MOP (psi)	s1 (in)	s2 (in)	d1 (in)	d2 (in)	z (in)	L1 (in)	L2 (in)	Weight (lbs)		PP-R	PE100-RC
											PP-R	PE100-RC		
110 x 160	4 x 6	17 x 33	72 x 36	0.19	0.26	6.30	4.33	5.94	0.39	2.76	2.73	2.88	507901532	587901532
160 x 225	6 x 9	17 x 33	72 x 36	0.27	0.37	8.86	6.30	9.13	0.39	4.33	9.51	10.03	507901606	587901606
160 x 225	6 x 9	11 x 17	120 x 72	0.53	0.57	8.86	6.30	9.13	0.39	4.33	13.95	14.72	507852606	587852606

1. Carrier x Containment

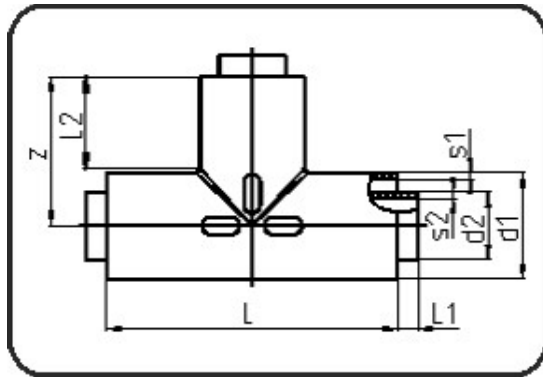


- Poly-Flo® elbow 22.5°
- Two (2) segments
- Derating factor 0.8
- Segmented
- Simultaneous & staggered welding

22.5 DEGREE MITERED ELBOW

Size ¹		Dimensions									Part Number	
mm	inch	SDR ¹	MOP (psi)	s1 (in)	s2 (in)	d1 (in)	d2 (in)	L (in)	Weight (lbs)		PP-R	PE100-RC
									PP-R	PE100-RC		
32 x 50	1 x 1-1/2	11 x 17	120 x 72	0.12	0.12	1.97	1.26	3.00	0.13	0.14	507869211	587869211
63 x 90	2 x 3	11 x 17	120 x 72	0.21	0.23	3.54	2.48	4.00	0.56	0.59	507869338	587901338
110 x 160	4 x 6	11 x 17	120 x 72	0.37	0.39	6.30	4.33	6.00	2.53	2.66	507869532	587852532

1. Carrier x Containment

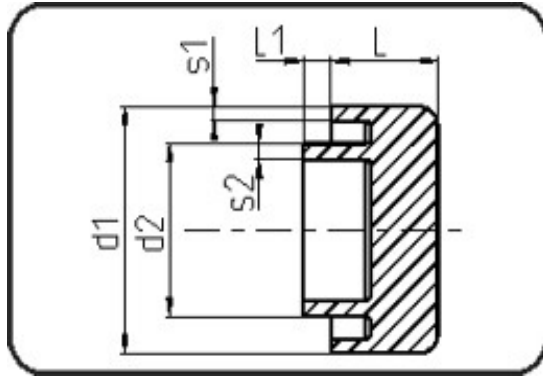


- Poly-Flo® tee
- Injection molded
- Simultaneous & staggered welding

TEE - MOLDED

Size ¹		Dimensions											Part Number		
mm	inch	SDR ¹	MOP (psi)	z (in)	L (in)	s1 (in)	s2 (in)	d1 (in)	d2 (in)	L1 (in)	L2 (in)	Weight (lbs)		PP-R Grey	PE100-RC
												PP-R	PE100-RC		
32 x 50	1 x 1-1/2	11 x 17	150 x 90	2.87	5.75	0.12	0.12	1.97	1.26	0.28	1.69	0.36	0.39	507871211	587871211
63 x 90	2 x 3	11 x 17	150 x 90	3.94	7.87	0.21	0.23	3.54	2.48	0.39	2.09	1.57	1.71	507871338	587871338
110 x 160	4 x 6	11 x 17	150 x 90	6.10	12.20	0.37	0.39	6.30	4.33	0.39	2.87	6.92	7.36	507071532	587881532

1. Carrier x Containment

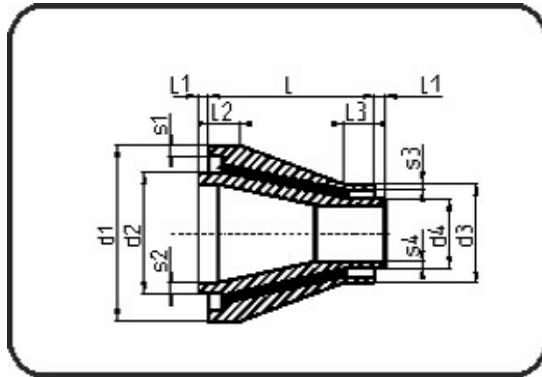


- Poly-Flo® end cap
- Machined
- Simultaneous & staggered welding

END CAP

Size ¹		Dimensions								Part Number			
mm	inch	SDR ¹	MOP (psi)	s1 (in)	s2 (in)	d1 (in)	d2 (in)	L (in)	L1 (in)	Weight (lbs)		PP-R	PE100-RC
										PP-R	PE100-RC		
32 x 50	1 x 1-1/2	11 x 17	150 x 90	0.12	0.12	1.97	1.26	1.18	0.39	0.09	0.10	507873211	587873211
63 x 90	2 x 3	11 x 17	150 x 90	0.21	0.23	3.54	2.48	1.57	0.39	0.43	0.45	507873338	587873338
110 x 160	4 x 6	11 x 17	150 x 90	0.37	0.39	6.30	4.33	1.97	0.39	1.74	1.84	507873532	587873532

1. Carrier x Containment

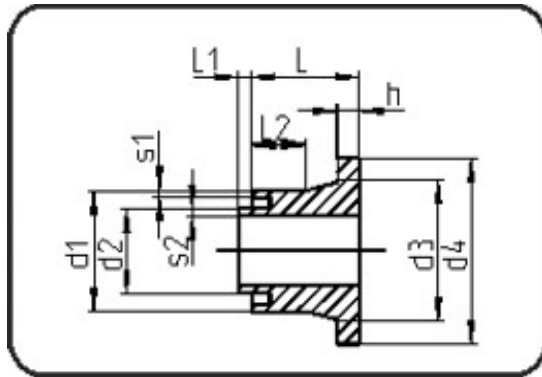


- Poly-Flo® reducer
- Concentric
- Machined
- Simultaneous & staggered welding

CONCENTRIC REDUCER

Size ¹		Dimensions														Part Number			
inch	SDR ¹	MOP (psi)	d1 (in)	d2 (in)	d3 (in)	d4 (in)	s1 (in)	s2 (in)	s3 (in)	s4 (in)	L (in)	L1 (in)	L2 (in)	L3 (in)	Weight (lbs)		PP-R	PE100-RC	
																PP-R	PE100-RC		
2 x 3, 1 x 1-1/2	11 x 17	150 x 90	3.54	2.48	1.97	1.26	0.21	0.23	0.12	0.12	4.33	0.39	1.18	1.10	0.58	0.62	507865249	587865249	
4 x 6, 2 x 3	11 x 17	150 x 90	6.30	4.33	3.54	2.48	0.37	0.39	0.21	0.23	6.10	0.39	1.18	1.14	2.76	2.92	507865420	587865420	
6 x 9, 4 x 6	11 x 17	150 x 90	8.86	6.30	6.30	4.33	0.53	0.57	0.36	0.39	7.28	0.39	1.18	1.14	7.51	7.92	507865532	587865532	
4 x 6, 2 x 3	17 x 33	90 x 45	6.30	4.33	3.54	2.48	0.19	0.26	0.09	0.14	6.10	0.39	1.18	1.14	2.19	2.31	507845420	587845420	
6 x 9, 4 x 6	17 x 33	90 x 45	8.86	6.30	6.30	4.33	0.27	0.37	0.19	0.26	7.28	0.39	1.18	1.14	5.88	6.20	507845532	587845532	

1. Carrier x Containment

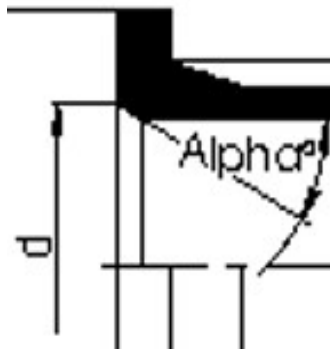


- Poly-Flo® stub flange
- Solid
- Machined
- Simultaneous & staggered welding
- Straight bore

STUB END - SOLID (STRAIGHT BORE)

Size ¹		Dimensions														Part Number		
mm	inch	STD	SDR ¹	MOP (psi)	L (in)	s1 (in)	s2 (in)	d4 (in)	d1 (in)	d2 (in)	d3 (in)	h (in)	L1 (in)	L2 (in)	Weight (lbs)		PP-R	PE100-RC
															PP-R	PE100-RC		
32 x 50	1 x 1-1/2	ANSI	11 x 17	50	2.17	0.12	0.12	3.25	1.97	1.26	2.40	0.47	0.39	0.87	0.27	0.29	507872211	587872211
63 x 90	2 x 3	ANSI	11 x 17	50	3.23	0.21	0.23	5.21	3.54	2.48	4.13	0.67	0.39	1.55	0.86	0.91	507872338	587872338
110x160	4 x 6	ANSI	11 x 17	50	3.70	0.37	0.39	8.35	6.30	4.33	6.89	0.98	0.39	1.49	3.42	3.60	507872532	587872532

1. Carrier x Containment

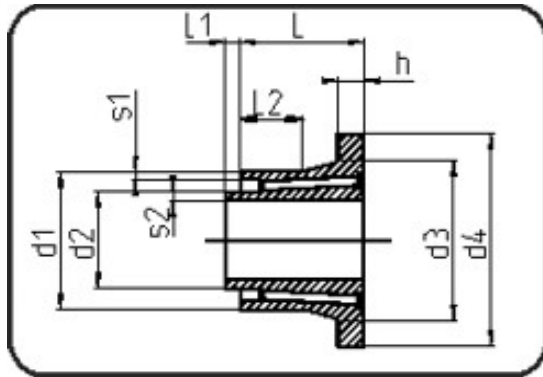


- Poly-Flo® stub flange
- Solid
- Machined
- Simultaneous & staggered welding
- 30° chamfered bore

STUB END - SOLID (CHAMFERED BORE)

Size ¹		Dimensions														Part Number			
mm	inch	STD	SDR ¹	MOP (psi)	d (in)	L (in)	s1 (in)	s2 (in)	d4 (in)	d1 (in)	d2 (in)	d3 (in)	h (in)	L1 (in)	L2 (in)	Weight (lbs)		PP-R	PE100-RC
																PP-R	PE100-RC		
32 x 50	1 x 1-1/2	ANSI	11 x 17	50	1.30	2.17	0.12	0.12	3.25	1.97	1.26	2.40	0.47	0.39	0.87	0.27	0.29	507887211	587887211
63 x 90	2 x 3	ANSI	11 x 17	50	2.70	3.23	0.21	0.23	5.21	3.54	2.48	4.13	0.67	0.39	1.55	0.86	0.91	507887338	587887338
110x160	4 x 6	ANSI	11 x 17	50	5.50	3.70	0.37	0.39	8.35	6.30	4.33	6.89	0.98	0.39	1.49	3.42	3.60	507887532	587887532

1. Carrier x Containment

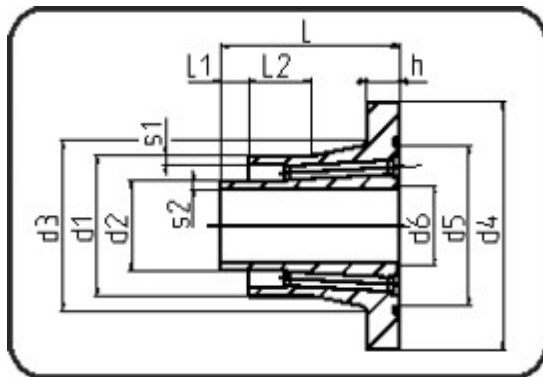


- Poly-Flo® stub flange
- Flow-through
- Machined
- Simultaneous & staggered welding

STUB END - FLOW THROUGH

Size ¹		Dimensions														Part Number		
mm	inch	STD	SDR ¹	MOP (psi)	d1 (in)	d2 (in)	s1 (in)	s2 (in)	d3 (in)	h (in)	L (in)	L1 (in)	L2 (in)	d4 (in)	Weight (lbs)		PP-R	PE100-RC
															PP-R	PE100-RC		
32 x 50	1 x 1-1/2	ANSI	11 x 17	50	1.97	1.26	0.12	0.12	2.40	0.47	2.17	0.39	0.87	3.25	0.24	0.25	507875211	587875211
63 x 90	2 x 3	ANSI	11 x 17	50	3.54	2.48	0.21	0.23	4.13	0.67	3.23	0.39	1.55	5.21	0.84	0.88	507875338	587875332
110x160	4 x 6	ANSI	11 x 17	50	6.30	4.33	0.37	0.39	6.89	0.98	3.70	0.39	1.49	8.35	3.29	3.47	507875532	587875532

1. Carrier x Containment



- Poly-Flo® stub flange
- Flow-through + groove for o-ring
- Includes o-rings
- Machined
- Simultaneous & staggered welding
- Mated to FF stub end

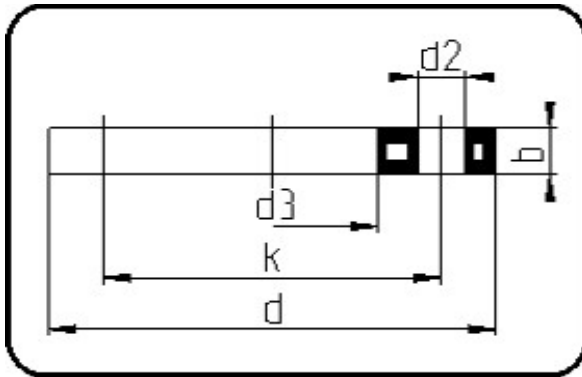
STUB END - FLOW THROUGH (w/ O-RING GROOVE)

Size ¹		Dimensions														Part Number				
mm	inch	STD	SDR ¹	MOP (psi)	d1 (in)	d2 (in)	s1 (in)	s2 (in)	d3 (in)	h (in)	L (in)	L1 (in)	L2 (in)	d4 (in)	d5 ²	d6 ²	Weight (lbs)		PP-R	PE100-RC
																	PP-R	PE100-RC		
32 x 50	1 x 1-1/2	ANSI	11 x 17	50	1.97	1.26	0.12	0.12	2.40	0.47	2.17	0.39	0.94	3.25	2-145	2-123	0.24	0.25	507876211	587876211
63 x 90	2 x 3	ANSI	11 x 17	50	3.54	2.48	0.21	0.23	4.13	0.67	3.23	0.39	1.55	5.21	2-156	2-140	0.84	0.88	507876338	587876338
110x160*	4 x 6*	ANSI	11 x 17	50	6.30	4.33	0.37	0.39	6.89	0.98	3.70	0.39	1.49	8.35	2-261	2-243	3.29	3.47	507876532	587876532

1. Carrier x Containment

2. O-ring standard size

* Please contact factory for confirmation of dimensions for these sizes



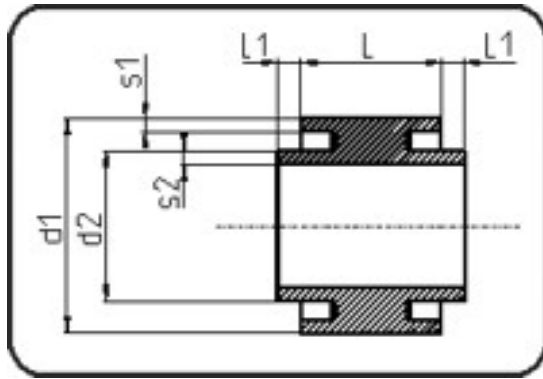
- Backing ring
- Steel insert
- Injection molded
- Flange connection

Gasket max torque supercedes torques shown

BACKING RING

Size		Dimensions										Part Number	
mm	inch	STD	MOP (psi)	d (in)	d2 (in)	d3 (in)	b (in)	k (in)	Max Torque (ft-lbs)	Bolt Size (qty)	Weight (lbs)	PP-FRP	
												GREY	BLACK
50	1-1/2	ANSI	230	5.24	0.63	2.44	0.71	3.88	30	1/2 (4)	1.21	5046015	5146015
90	3	ANSI	230	7.64	0.79	4.37	0.71	6.00	41	5/8 (4)	2.34	5046030	5146030
160	6	ANSI	230	11.14	0.87	7.01	0.94	9.50	70	3/4 (8)	5.20	5046060	5146060
200	8*	ANSI	230	13.58	0.87	9.29	0.94	11.75	89	3/4 (8)	8.58	5046080	5146080

* The 8" size is dual-sized for 9" applications

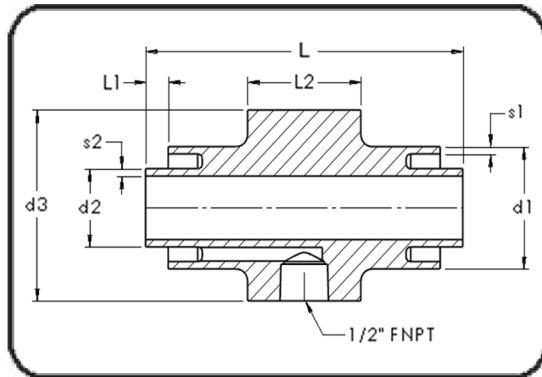


- Poly-Flo® dogbone
- Solid
- Machined
- Simultaneous & staggered welding

DOGBONE

Size ¹		Dimensions									Part Number			
mm	inch	SDR ¹	MOP (psi)	L (in)	s1 (in)	s2 (in)	d1 (in)	d2 (in)	L1 (in)	Weight (lbs)		PP-R	PE100-RC	
										PP-R	PE100-RC			
32 x 50	1 x 1-1/2	11 x 17	150 x 90	1.97	0.12	0.12	1.97	1.26	0.39	0.11	0.12	507877211	587877211	
63 x 90	2 x 3	11 x 17	150 x 90	2.36	0.21	0.23	3.54	2.48	0.39	0.44	0.47	507877338	587877338	
110 x 160	4 x 6	11 x 17	150 x 90	3.15	0.37	0.39	6.30	4.33	0.39	2.04	2.15	507877532	587877532	

1. Carrier x Containment

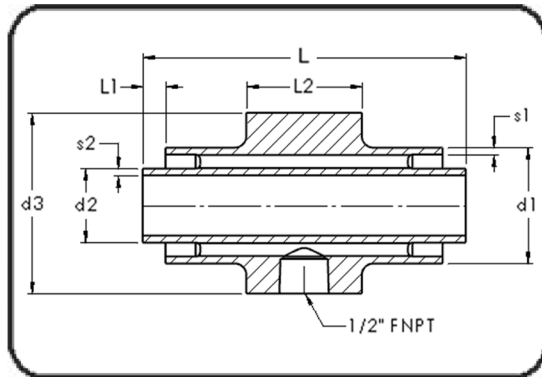


- Poly-Flo® solid dogbone
- Annular tap
- Machined
- Simultaneous & staggered welding
- Includes 1/2" NPT plug of matching material

DOGBONE - ANNULAR TAP/SOLID¹

Size ¹		Dimensions											Part Number		
mm	inch	SDR ¹	MOP (psi)	d1 (in)	d2 (in)	s1 (in)	s2 (in)	L (in)	d3 (in)	L2 (in)	L1 (in)	Weight (lbs)		PP-R	PE100-RC
												PP-R	PE100-RC		
32 x 50	1 x 1-1/2	11 x 17	150 x 90	1.97	1.26	0.12	0.12	5.51	2.56	1.97	0.39	0.49	0.50	507880211	587880211
63 x 90	2 x 3	11 x 17	150 x 90	3.54	2.48	0.21	0.23	5.51	4.72	1.97	0.39	0.96	1.06	507880338	587880338
110 x 160	4 x 6	11 x 17	150 x 90	6.30	4.33	0.37	0.39	5.51	7.48	1.97	0.39	3.05	3.22	507880532	587880532

1. Carrier x Containment

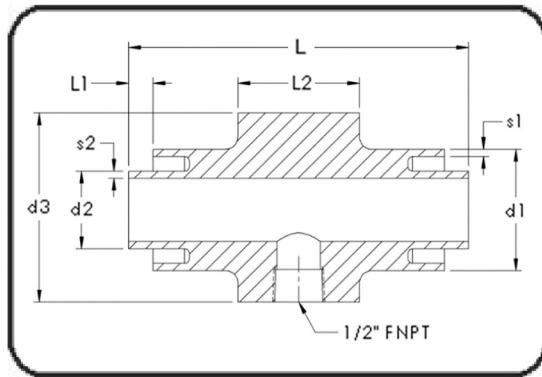


- Poly-Flo® flow-through dogbone
- Annular tap
- Machined
- Simultaneous & staggered welding
- Includes 1/2" NPT plug of matching material

DOGBONE - ANNULAR TAP/FLOW THROUGH¹

Size ¹		Dimensions											Part Number			
mm	inch	SDR ¹	MOP (psi)	d1 (in)	d2 (in)	s1 (in)	s2 (in)	L (in)	d3 (in)	L2 (in)	L1 (in)	Weight (lbs)		PP-R	PE100-RC	
												PP-R	PE100-RC			
32 x 50	1 x 1-1/2	11 x 17	150 x 90	1.97	1.26	0.12	0.12	5.51	2.56	1.97	0.39	0.49	0.50	507878211	587878211	
63 x 90	2 x 3	11 x 17	150 x 90	3.54	2.48	0.21	0.23	5.51	4.72	1.97	0.39	0.96	1.06	507878338	587878338	
110 x 160	4 x 6	11 x 17	150 x 90	6.30	4.33	0.37	0.39	5.51	7.48	1.97	0.39	3.05	3.22	507878532	587878532	

1. Carrier x Containment

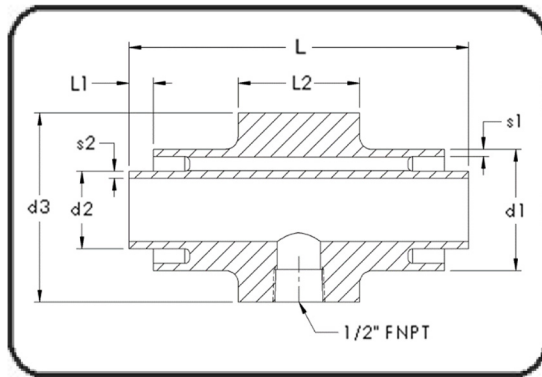


- Poly-Flo® solid dogbone
- Carrier tap
- Machined
- Simultaneous & staggered welding
- Includes 1/2" NPT plug of matching material

DOGBONE - CARRIER TAP/SOLID¹

Size ¹		Dimensions											Part Number		
mm	inch	SDR ¹	MOP (psi)	d1 (in)	d2 (in)	s1 (in)	s2 (in)	L (in)	d3 (in)	L2 (in)	L1 (in)	Weight (lbs)		PP-R	PE100-RC
												PP-R	PE100-RC		
32 x 50	1 x 1-1/2	11 x 17	150 x 90	1.97	1.26	0.12	0.12	5.51	2.56	1.97	0.39	0.49	0.50	507858211	587858211
63 x 90	2 x 3	11 x 17	150 x 90	3.54	2.48	0.21	0.23	5.51	4.72	1.97	0.39	0.96	1.06	507858338	587858338
110 x 160	4 x 6	11 x 17	150 x 90	6.30	4.33	0.37	0.39	5.51	7.48	1.97	0.39	3.05	3.22	507858532	587858532

1. Carrier x Containment

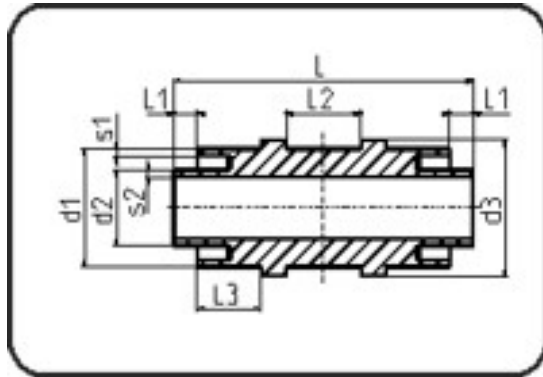


- Poly-Flo® dogbone flow-through
- Carrier tap
- Machined
- Simultaneous & staggered welding
- Includes 1/2" NPT plug of matching material

DOGBONE - CARRIER TAP/ANNULAR¹

Size ¹		Dimensions											Part Number			
mm	inch	SDR ¹	MOP (psi)	d1 (in)	d2 (in)	s1 (in)	s2 (in)	L (in)	d3 (in)	L2 (in)	L1 (in)	Weight (lbs)		PP-R	PE100-RC	
												PP-R	PE100-RC			
32 x 50	1 x 1-1/2	11 x 17	150 x 90	1.97	1.26	0.12	0.12	5.51	2.56	1.97	0.39	0.49	0.50	507881211	587881211	
63 x 90	2 x 3	11 x 17	150 x 90	3.54	2.48	0.21	0.23	5.51	4.72	1.97	0.39	0.96	1.06	507881338	587881338	
110 x 160	4 x 6	11 x 17	150 x 90	6.30	4.33	0.37	0.39	5.51	7.48	1.97	0.39	3.05	3.22	507881532	587881532	

1. Carrier x Containment

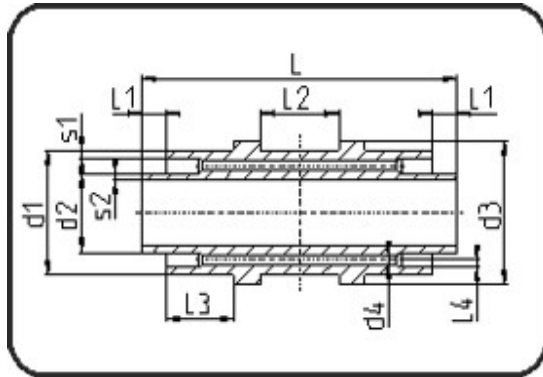


- Poly-Flo® dogbone
- Restraint / solid
- Machined
- Simultaneous & staggered welding

DOGBONE - RESTRAINT/SOLID¹

Size ¹		Dimensions											Part Number			
mm	inch	SDR ¹	MOP (psi)	d1 (in)	d2 (in)	s1 (in)	s2 (in)	d3 (in)	L (in)	L1 (in)	L2 (in)	L3 (in)	Weight (lbs)		PP-R	PE100-RC
													PP-R	PE100-RC		
32 x 50	1 x 1-1/2	11 x 17	150 x 90	1.97	1.26	0.12	0.12	2.28	5.24	0.39	1.28	1.18	0.33	0.34	507859211	587859211
63 x 90	2 x 3	11 x 17	150 x 90	3.54	2.48	0.21	0.23	4.13	5.91	0.39	1.57	1.18	1.02	1.14	507859338	587859338
110 x 160	4 x 6	11 x 17	150 x 90	6.30	4.33	0.37	0.39	7.09	7.09	0.39	1.57	1.18	3.87	3.66	507859532	587859532

1. Carrier x Containment

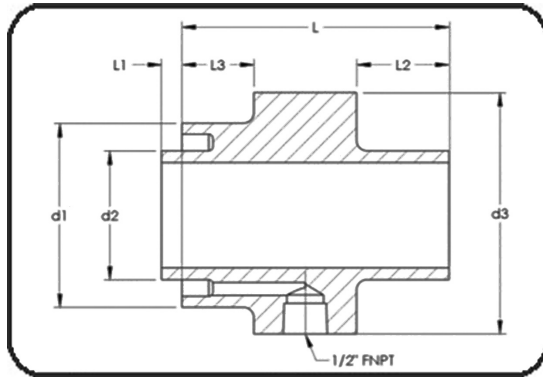


- Poly-Flo® dogbone
- Restraint / flow-through
- Machined
- Simultaneous & staggered welding

DOGBONE - RESTRAINT/ANNULAR¹

Size ¹		Dimensions														Part Number		
mm	inch	SDR ¹	MOP (psi)	d1 (in)	d2 (in)	s1 (in)	s2 (in)	d3 (in)	L (in)	L1 (in)	L2 (in)	L3 (in)	L4 (in)	d4 (in)	Weight (lbs)		PP-R	PE100-RC
															PP-R	PE100-RC		
32 x 50	1 x 1-1/2	11 x 17	150 x 90	1.97	1.26	0.12	0.12	2.28	5.24	0.39	1.30	1.18	0.10	0.19	0.31	0.33	507879211	587879211
63 x 90	2 x 3	11 x 17	150 x 90	3.54	2.48	0.21	0.23	4.13	5.94	0.39	1.61	1.18	0.16	0.24	0.88	1.11	507879338	587879338
110 x 160	4 x 6	11 x 17	150 x 90	6.30	4.33	0.37	0.39	7.09	7.87	0.39	2.40	1.18	0.20	0.31	3.53	3.97	507879532	587879532

1. Carrier x Containment



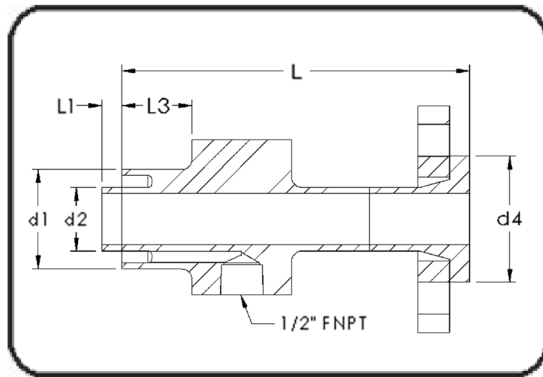
- Poly-Flo® end termination w/ tap
- Machined
- Simultaneous & staggered welding
- Incl. 1/2" FNPT tap
- Incl. molded plug (installed loose)*

END TERMINATION - TAP

Size ¹		Dimensions										Part Number		
mm	inch	SDR ¹	MOP (psi)	d1 (in)	d2 (in)	d3 (in)	L (in)	L1 (in)	L2 (in)	L3 (in)	Weight (lbs)		PP-R	PE100-RC
											PP-R	PE100-RC		
32 x 50	1 x 1-1/2	11 x 17	150 x 90	1.97	1.26	3.07	5.12	0.39	1.77	1.38	0.55	0.58	507860211	587860211
63 x 90	2 x 3	11 x 17	150 x 90	3.54	2.48	4.65	5.12	0.39	1.77	1.38	1.27	1.34	507860338	587860338
110 x 160	4 x 6	11 x 17	150 x 90	6.3	4.33	7.40	5.12	0.39	1.77	1.38	3.24	3.42	507860532	587860532

1. Carrier x Containment

* Installed loose for shipping - must be tightened once fitting is installed



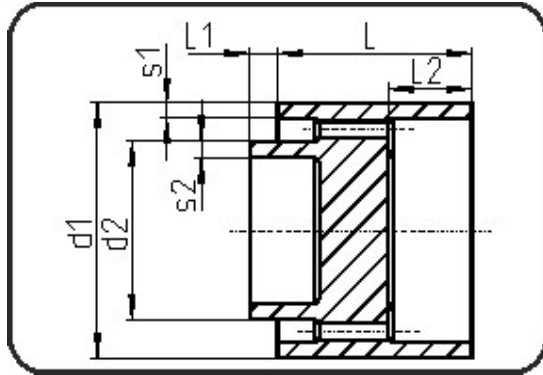
- Poly-Flo® end termination w/ tap
- Machined
- Simultaneous & staggered welding
- Incl. 1/2" FNPT tap
- Incl. molded plug (installed loose)*
- Backing ring drilled ANSI 150# - see backing ring dimensions for details (PN 5149_)

END TERMINATION - TAP, FLANGED

Size ¹		Dimensions										Part Number	
mm	inch	SDR ¹	MOP (psi)	d1 (in)	d2 (in)	d4 (in)	L (in)	L1 (in)	L3 (in)	Weight (lbs)		PP-R	PE100-RC
										PP-R	PE100-RC		
32 x 50	1 x 1-1/2	11 x 17	150 x 90	1.97	1.26	2.50	7.25	0.39	1.38	1.47	1.49	507861211	587861211
63 x 90	2 x 3	11 x 17	150 x 90	3.54	2.48	3.95	7.25	0.39	1.38	3.32	3.38	507861338	587861338
110 x 160	4 x 6	11 x 17	150 x 90	6.3	4.33	6.22	8.25	0.39	1.38	7.61	7.75	507861532	587861532

1. Carrier x Containment

* Installed loose for shipping - must be tightened once fitting is installed

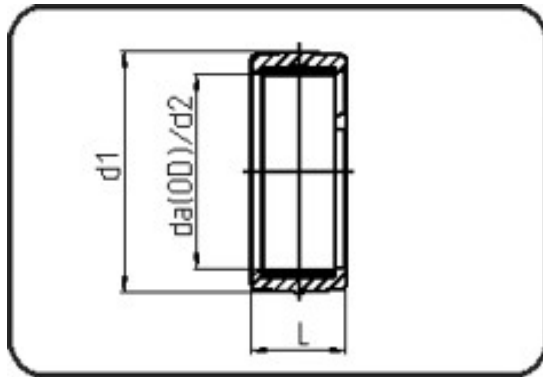


- Poly-Flo® outer wall adapter
- Machined
- Simultaneous & staggered welding
- Used with low point leak detection

OUTER WALL ADAPTER

Size ¹		Dimensions									Part Number			
mm	inch	SDR ¹	MOP (psi)	d1 (in)	d2 (in)	s1 (in)	s2 (in)	L (in)	L1 (in)	L2 (in)	Weight (lbs)		PP-R	PE100-RC
											PP-R	PE100-RC		
32 x 50	1 x 1-1/2	11 x 17	150 x 90	1.97	1.26	0.12	0.12	2.36	0.39	1.18	0.12	0.13	507857211	587857211
63 x 90	2 x 3	11 x 17	150 x 90	3.54	2.48	0.21	0.23	2.76	0.39	1.18	0.51	0.55	507857338	587857338
110 x 160	4 x 6	11 x 17	150 x 90	6.30	4.33	0.37	0.39	3.15	0.39	1.18	2.02	2.09	507857532	587857532

1. Carrier x Containment

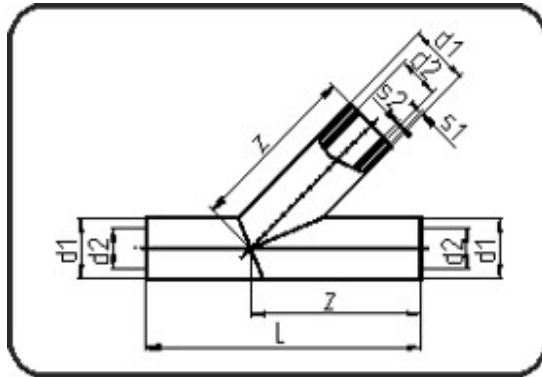


- Poly-Flo® induction coupling
- Injection molded
- Induction welding

INDUCTION COUPLING

Size		Dimensions							Part Number	
mm	inch	SDR	MOP (psi)	da(OD) (in)	L (in)	d1 (in)	Weight (lbs)		PP-R	PE100-RC
							PP-R	PE100-RC		
50	1 x 1-1/2	17	90	1.97	0.98	2.46	0.07	0.07	505850050	585850050
90	2 x 3	17	90	3.54	1.18	4.19	0.17	0.18	505850090	585850090
160	4 x 6	17	90	6.30	1.97	7.28	0.74	0.77	505850160	585850160

Requires use with induction welding tool, sold separately

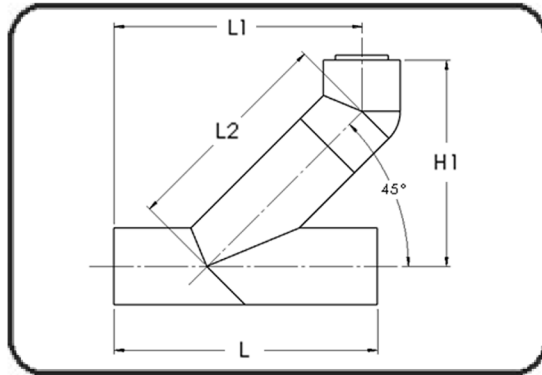


- Poly-Flo® lateral
- Segmented
- Simultaneous & staggered welding
- Drainage service only

LATERAL - MITERED

Size ¹		Dimensions								Part Number			
mm	inch	SDR ¹	MOP (psi)	s1 (in)	s2 (in)	d1 (in)	d2 (in)	L (in)	z (in)	Weight (lbs)		PP-R	PE100-RC
										PP-R	PE100-RC		
32 x 50	1 x 1-1/2	11 x 17	5	0.12	0.12	1.97	1.26	11.81	7.87	0.77	-	507874211	-
63 x 90	2 x 3	11 x 17	5	0.21	0.23	3.54	2.48	15.75	9.84	3.11	3.28	507874338	587874338
110 x 160	4 x 6	11 x 17	5	0.37	0.39	6.30	4.33	21.65	13.78	12.58	13.27	507874532	587874532
160 x 225	6 x 9	11 x 17	5	0.53	0.57	8.86	6.30	26.54	18.66	32.10	33.86	507874606	587874606
110 x 160	4 x 6	17 x 33	5	0.19	0.26	6.30	4.33	21.65	13.78	7.79	8.22	507903532	587903532
160 x 225	6 x 9	17 x 33	5	0.27	0.37	8.86	6.30	26.54	18.66	22.95	24.21	507903606	587903606

1. Carrier x Containment

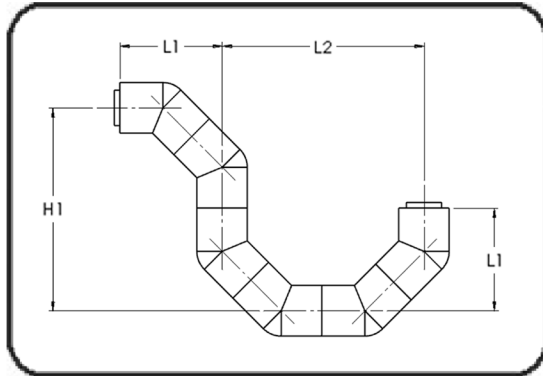


- Poly-Flo® lateral w/ bend
- Segmented
- Simultaneous & staggered welding
- Drainage service only

LATERAL W/ BEND

Size ¹		Dimensions										Part Number		
mm	inch	SDR ¹	MOP (psi)	s1 (in)	s2 (in)	d1 (in)	d2 (in)	z (in)	L1 (in)	L2 (in)	Weight (lbs)		PP-R	PE100-RC
											PP-R	PE100-RC		
63 x 90	2 x 3	11 x 17	5	0.21	0.23	3.54	2.48	3.03	3.54	2.48	0.94	1.00	507870338	587870338
110 x 160	4 x 6	11 x 17	5	0.37	0.39	6.30	4.33	4.21	6.30	4.33	4.03	4.25	507870532	587870532

1. Carrier x Containment

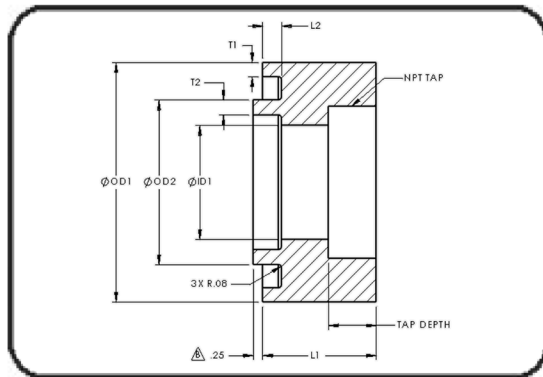


- Poly-Flo® P-trap
- Segmented
- Simultaneous & staggered welding
- Drainage service only

P-TRAP

Size ¹		Dimensions							Part Number	
mm	inch	SDR ¹	MOP (psi)	L1 (in)	L2 (in)	H (in)	Weight (lbs)		PP-R	PE100-RC
							PP-R	PE100-RC		
63 x 90	2 x 3	11 x 17	5	7.13	14.13	14.13	5.67	5.97	507888338	587888338
110 x 160	4 x 6	11 x 17	5	10.00	19.88	19.88	24.21	25.53	507888532	587888532

1. Carrier x Containment



- Poly-Flo® cleanout
- Machined
- Simultaneous & staggered welding
- FNPT thread
- Incl. machined plug*

CLEANOUT

Size		Dimensions											Part Number			
mm	inch	SDR	MOP (psi)	OD1 (in)	OD2 (in)	T1 (in)	T2 (in)	ID1 (in)	L1 (in)	L2 (in)	Tap (in)	Tap Depth (in)	Weight (lbs)		PP-R	PE100-RC
													PP-R	PE100-RC		
32 x 50	1 x 1-1/2	11x17	5	1.97	1.26	0.12	0.12	0.75	3	0.5	1	1.12	0.26	0.27	507886211	587886211
63 x 90	2 x 3	11x17	5	3.54	2.48	0.21	0.23	1.75	3	0.5	2	1.26	0.73	0.77	507886338	587886338
110 x 160	4 x 6	11x17	5	6.3	4.33	0.37	0.39	3	3	0.5	4	1.26	2.38	2.51	507886532	587886532

* Must be fully tightened once fitting is installed