

AVSAS

サックバック弁 Suck back valve

Specialty Valves and Control Products **Dymatrix™**



Compact design

A single actuator, which has a double function to open/shut and suck back, made the valve compact.

Excellent stability

A stable amount of fluid can be repeatedly suck-backed. Large volume type can be selected.

Specifications

項目	Items	Unit	Size		
			□30		□40
			3×2	6×4	6×4
			3.18×1.6	6.35×4.35	6.35×4.35
作動	Actuation	—	Air to open		
流体温度	Medium Temperature	℃	5 ~ 90 ※ Please consult manufacturer for temp ranges of (10 ~ 200℃) HT		
構造耐圧	Proof Pressure	MPa	1.0 145psi		
使用圧力範囲	Working Pressure range	MPa	0 ~ 0.5 0 ~ 72.5psi		0 ~ 0.3 0 ~ 43.5psi
弁座漏れ量	Leakage Rate	cm ³ /min	0 (at hydraulic pressure 23℃)		
背圧	Back Pressure	MPa	0 0 psi		
周囲温度	Ambient Temperature	℃	5 ~ 60		
開閉頻度	Frequency of opening and Closing	Times/min	< 10		
取付姿勢	Installation direction	—	Any direction		
接続	Connection	—	Flowell 20 series Flowell 60 series Super Type Pillar Fitting Super 300 Type Pillar Fitting	Flowell 20 series Flowell 60 series Super Type Pillar Fitting Super 300 Type Pillar Fitting Flare Type Tube Rc FNPT	
Cv値 ^{※4}	Cv value	—	0.1	0.25	0.31
重量	Weight	kg	0.15		0.27
操作部 Pilot	Pilot pressure	MPa	0.3 ~ 0.5 43.5 ~ 72.5psi		
	Pilot air consumption ^{※1}	L/times (ANR)	0.007		0.014
	Pilot port	—	Rc1/8", FNPT1/8"		
Maximum suck back volume ^{※2 ※3 ※4}		mL	0.2		0.56

※1. The pilot air consumption is the value at 0.4 MPa.

※2. It is different in the suck-backing speed, the piping condition, and the fluid, etc.

※3. The suck back volume can be controlled by the handle rotation.

It may make the valve unable to seal because of the handle rotation, in case the suck back volume is controlled as a little.

※4. Typical value.

Ordering Code

AVSAS - G T ① ② ③ ④ ⑤ ⑥ ⑦ - 2

Actuation

G	Air to open
---	-------------

Body materials

T	PTFE
---	------

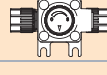

① Connection

2	Flowell 20 series
6	Flowell 60 series
S	Super Type Pillar Fitting
3	Super 300 Type Pillar Fitting
F ^{※1}	Flare Type
T ^{※2} _{※3}	Tube
R ^{※1} _{※3}	Rc
N ^{※1} _{※3}	FNPT

② Tubing standard^{※1}

M	Millimeter
I	Inch



③ Mounting

1	Baseplate (Direction1)	
2	Baseplate (Direction2)	

④ Pilot port

R	Rc 1/8"
N	FNPT 1/8"

⑤ Pilot port connection

0	Standard	
2	Direction 2	

⑥耐薬仕様 Chemical-resistant^{※4}

	O-ring ^{※5}	Metal Coating
V0	FKM	×
E0	EPDM	×
F0	テフロン®F ^{※6} Viflon®F	○
K0	Kalrez® 6190	×
K1		○

⑦ Connection tubing size

	3A	6A	06	
3×2	3.18×1.6			□30
6×4	6.35×4.35			
6×4	6.35×4.35			□40

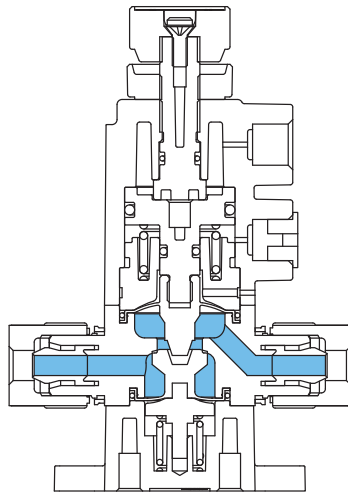
Revision

2	Connection tubing size 3A, 6A, 06
---	-----------------------------------

Ordering code example
 AVSAS-GTRI1R0K06A-2
 AVSAS-GT3M2N2F106-2

- ※1 : In the case of the connection is "F", "R" or "N", only "I (Inch)" can be selected for the "Tubing Standard".
- ※2 : Please refer to page 105 for diameter of "Tube".
- ※3 : In case the tube diameter is "3A", "Tube", "Rc" and "FNPT" connections are not available.
- ※4 Please consult us for the specification if the medium is a strong chemical, strong acid etc.
- ※5 : O-rings are not wetted.
- ※6 : "Viflon" is the Terpolymerization Fluorocarbon Elastomers.

Parts & Materials

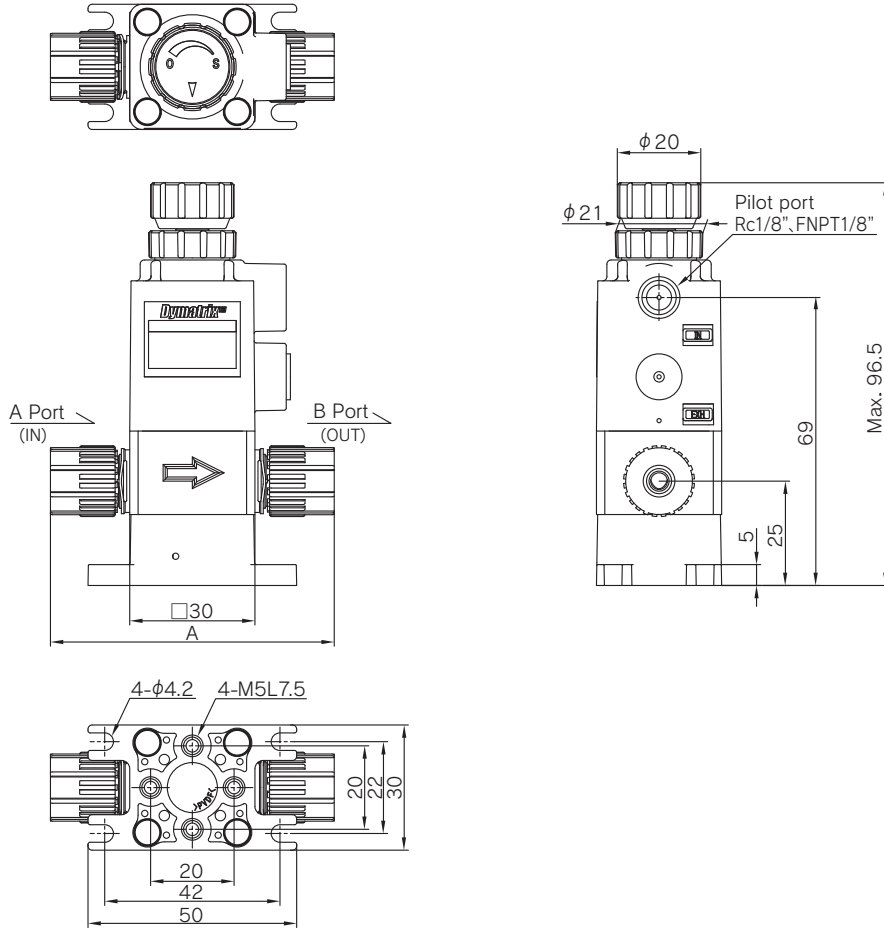


Parts	Chemical-resistant		Wetted parts
	0	1	
Body	PTFE		○
Diaphragm	PTFE		○
Actuator	PVDF / PP		
O-ring	FKM/EPDM/テフロン®F Viflon®F / Kalrez®6190		
Metal parts	SUS304	SUS304 PTFE Coating	

- AVPV3
- AVPVM
- AVPVL
- AVSDV
- AVSDVM
- AVSDVT
- AVSAS
- AVMPV
- AVDIV
- AVVM
- AVHRL
- AVHRL-M
- AVHRS
- AVBPR
- AVCFV
- HDV12R
- HDVM
- AVQDV
- AVBVX
- AVPJX
- AVSIV
- AVFCS2
- AVFCN
- OTHER

Dimensions

□ 30



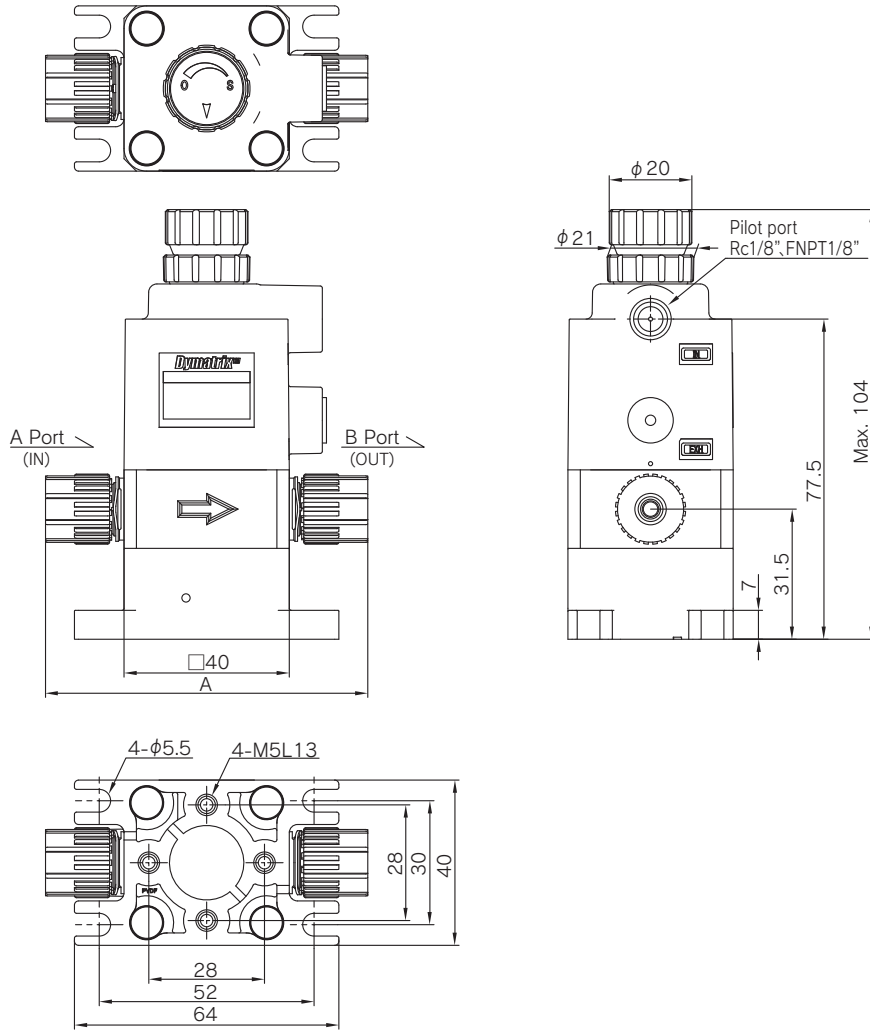
(Unit) : mm

		Size		
		3×2	6×4	
A	Flowell 20 series	Standard	3.18×1.60	6.35×4.35
		inch	—	66
	mm	48	64	
	Flowell 60 series	inch	65	92
		mm	65	90
	Super Type Pillar Fitting	inch/mm	60	69
	Super 300 Type Pillar Fitting	inch/mm	60	68
	Flare Type	inch	—	86
Tube	inch/mm	—	90	
Rc, FNPT	inch	—	58	

※ Reference values.

Dimensions

□ 40



(Unit) : mm

		Standard	Size
			6×4
			6.35×4.35
A	Flowell 20 series	inch	76
		mm	74
	Flowell 60 series	inch	102
		mm	100
	Super Type Pillar Fitting	inch/mm	79
	Super 300 Type Pillar Fitting	inch/mm	78
	Flare Type	inch	96
	Tube	inch/mm	100
	Rc, FNPT	inch	76

※ Reference Values

- AVPV3
- AVPVM
- AVPVS
- AVPVS
- AVSDV
- AVSDVM
- AVSDVT
- AVSAS
- AVMPV
- AVDIV
- AVVM
- AVHPR
- AVHPR
- AVHPR
- AVBPR
- AVCFV
- HDV12R
- HDVM
- AVQDV
- AVBVX
- AVPJX
- AVSIV
- AVFCS2
- AVFCN
- OTHER