

AVPVSL

ピンチ弁スローリークタイプ Pinch valve slow leak type

Specialty Valves and Control Products **Dymatrix™**



Air operated pinch valve with manual stop adjustment

This air operated pinch valve has manual flow control capabilities. By operating the handle, the leak rate can be adjusted. The full-open position allows the valve to flush completely, preventing clogs.

Specifications

項目	Items	Unit	Size				
			6×4	10×8	12×10	19×16	25×22
作動	Actuation	—	6.35×4.35	9.53×6.35	12.70×9.53	19.05×15.88	25.40×22.20
流体温度	Medium Temperature	°C	Air to open 10 ~ 40				
構造耐圧	Proof Pressure	MPa	1.0 145psi				
使用圧力範囲	Working Pressure range	MPa	0 ~ 0.3 0 ~ 43.5psi				
弁座漏れ量	Leakage Rate	cm ³ /min	0 (at hydraulic pressure 23°C)				
周囲温度	Ambient Temperature	°C	10 ~ 40				
開閉頻度	Frequency of opening and closing	times/min	< 20				
取付姿勢	Installation direction	—	Any direction				
接続	Connection	—	Flowell 20 series Flowell 60 series Super Type Pillar Fitting Super 300 Type Pillar Fitting Flare Type Rc, FNPT				
オリフィス※1	Orifice diameter	mm	φ 3.5	φ 6	φ 7	φ 11	φ 11
Cv値※1	Cv value	—	0.4	1.2	2.1	6.9	6.9
重量	Weight	kg	0.5	0.7	0.7	1.4	1.7
Pilot	Pilot pressure	MPa	0.35 ~ 0.5 50.8 ~ 72.5psi				
	Pilot air consumption※2	L/times(ANR)	0.02	0.05	0.05	0.13	0.13
	Pilot port	—	Rc1/8" , FNPT1/8"				

※1. Typical value.

※2. The value on the table shows the air consumption volume when the pilot pressure is 0.5 MPa.

Ordering Code

AVPVSL- 1 F ① ② ③ ④ - ⑤ ⑥

Actuation

1 Air to open

Body material

F PVDF

② Tubing standard

M Millimeter

I Inch

⑤ Revision

n/a □35, □55

1 □45

Connection tubing size

06	6×4	6.35×4.35	□35
10	10×8	9.53×6.35	□45
12	12×10	12.70×9.53	
19	19×16	19.05×15.88	□55
25	25×22	25.40×22.20	

Connection

2 Flowell 20 series

6 Flowell 60 series

S Super Type Pillar Fitting

3 Super 300 Type Pillar Fitting

F※1 Flare Type

R※1 Rc

N※1 FNPT

④ Mounting

0 Thread at bottom

1※2 Base plate

⑥ Pilot port

n/a Rc 1/8"

N FNPT 1/8"

※1: In the case of the connection is "F", "R" or "N", only "I (Inch)" can be selected for the "Tubing Standard".

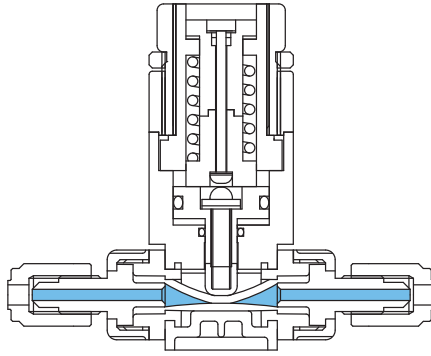
※2: In the case of tubing size "25", only "1 (Base plate)" can be selected for "Mounting".

Ordering code example

AVPVSL-1F06I30

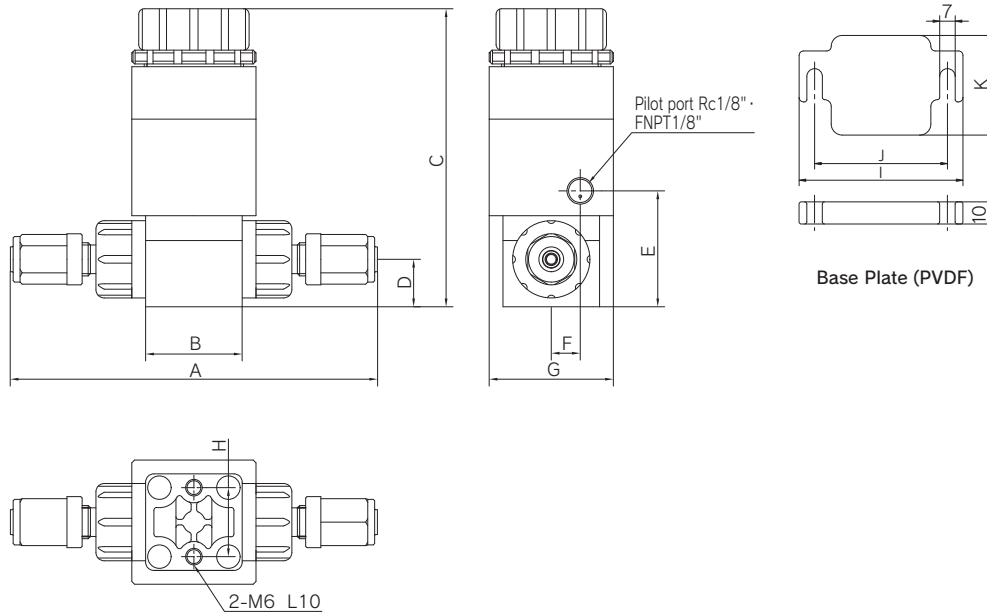
AVPVSL-1F06I30-N

Parts & Materials



Parts	Material	Wetted parts
Actuator	PVDF	
Tube	Silicon based rubber	○
End connector	PTFE	○

Dimensions



(Unit) : mm

		Standard	Size				
			6×4	10×8	12×10	19×16	25×22
A	Flowell 20 series	inch	107	140	148	172	194
		mm	105	137	145	172	194
	Flowell 60 series	inch	133	173	173	198	212
		mm	131	169	169	198	209
	Super Type Pillar Fitting	inch/mm	110	148	155	189	220
	Super 300 Type Pillar Fitting	inch/mm	109	145	153	182	216
	Flare Type	inch	127	157	161	186	204
	Rc, FNPT	inch	81	111	111	142	156
B			□ 35	□ 45	□ 45	□ 55	□ 55
C			108(MAX 123)	118(MAX 133)	118(MAX 133)	164.5(MAX 184)	174.5(MAX 194)
D			17	23	23	26	36
E			41.5	51	51	61.5	71.5
F			10.5	11	11	16	16
G			45	53	53	67	67
H			25	32	32	42	42
I			64	74	74	85	85
J			50	60	60	70	70
K			35	45	45	55	55

※ Reference value.

- AVPV3
- AVPVM
- AVPVS
- AVSDV
- AVSDVM
- AVSDVT
- AVSAS
- AVMPV
- AVDIV
- AVVM
- AVHPR
- AVHPRM
- AVHPR
- AVHPRS
- AVBPR
- AVCFV
- HDV12R
- HDVM
- AVQDV
- AVBVX
- AVPJX
- AVSIV
- AVFCS2
- AVFCN
- OTHER