

AVPV3

ピンチ弁 Pinch valve

Specialty Valves and Control Products **Dymatrix™**



Straight flow

The straight flow path applies no stress to the medium. There is almost no influence to the particle size even with highly coherent fluids such as slurry. It can also be used for DI water, and there is no restriction on the flow direction.

Excellent durability/seal performance

The use of a pinch seal structure provides superior durability. Our slurry evaluation test shows there is no decline in the sealing performance, and that it has excellent durability against foreign substances caught in the flow passage.

Specifications

項目	Items	Unit	Size				
			6×4 6.35×4.35	10×8 9.53×6.35	12×10 12.70×9.53	19×16 19.05×15.88	25×22 25.40×22.20
作動	Actuation	—	Air to open				
流体温度	Medium Temperature	℃	10 ~ 40				
構造耐圧	Proof Pressure	MPa	1.0 145psi				
使用圧力範囲	Working Pressure range	MPa	0 ~ 0.3 0 ~ 43.5psi				
弁座漏れ量	Leakage Rate	cm ³ /min	0 (at hydraulic pressure 23℃)				
周囲温度	Ambient Temperature	℃	10 ~ 40				
開閉頻度	Frequency of opening and closing	times/min	< 20				
取付姿勢	Installation direction	—	Any direction				
接続	Connection	—	Flowell 20 series, Flowell 60 series Super Type Pillar Fitting, Super 300 Type Pillar Fitting Flare Type, Rc, FNPT				
オリフィス※1	Orifice diameter	mm	φ 3.5	φ 6	φ 7	φ 11	φ 11
Cv値※1	Cv value	—	0.4	1.2	2.1	6.9	6.9
重量	Weight	kg	0.3	0.6	0.6	1.0	1.1
Pilot	Pilot pressure	MPa	0.35 ~ 0.5 50.8 ~ 72.5psi				
	Pilot air consumption※2	L/times(ANR)	0.02	0.05	0.05	0.13	0.13
	Pilot port	—	Rc1/8", FNPT1/8"				

※1. It is typical value.

※2. The value on the table shows the air consumption volume when the pilot pressure is 0.5 MPa.

Ordering Code

AVPV3 - 1 F ① ② ③ ④ ⑤

Actuation

1 (NC) Air to open

Body material

F PVDF

② Tubing standard

M Millimeter

I Inch

④ Mounting

0 Thread at bottom

1※2 Base plate

Connection tubing size

Code	Size	Size	Code
06	6× 4	6.35× 4.35	□35
10	10× 8	9.53× 6.35	□45
12	12×10	12.70× 9.53	□45
19	19×16	19.05×15.88	□55
25	25×22	25.40×22.20	□55

③ Connection

2	Flowell 20 series
6	Flowell 60 series
S	Super Type Pillar Fitting
3	Super 300 Type Pillar Fitting
F ※1	Flare Type
R ※1	Rc
N ※1	FNPT

⑤ Pilot port

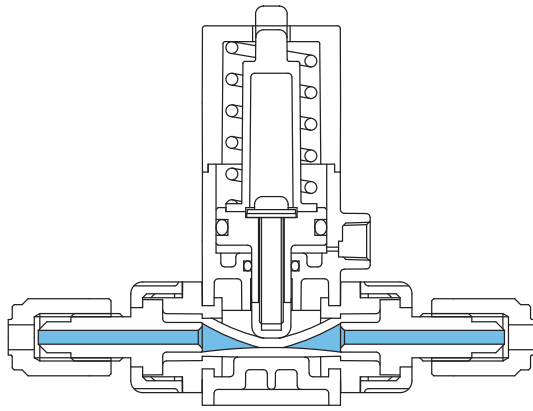
n/a	Rc 1/8"
N	FNPT 1/8"

※1: In the case of the connection is "F", "R" or "N", only "I (Inch)" can be selected for the "Tubing Standard".

※2: In the case of tubing size "25", only "1(Base plate)" can be selected for "Mounting".

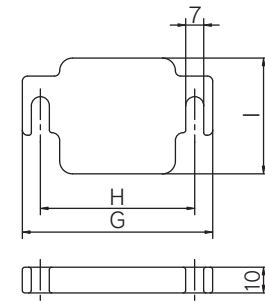
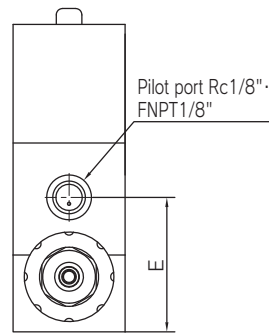
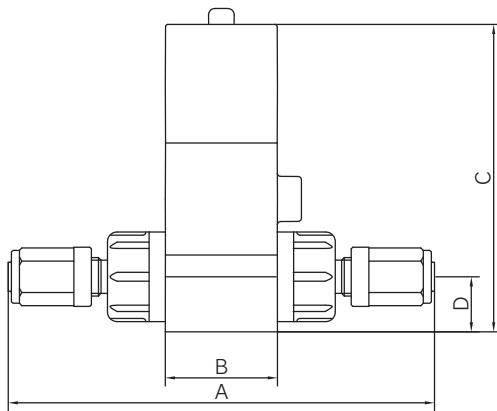
Ordering code example
AVPV3-1F06I30
AVPV3-1F06I30-N

Parts & Materials

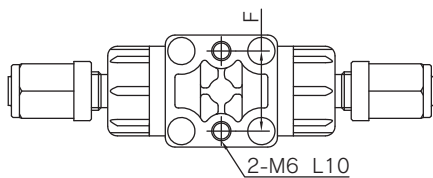


Parts	Material	Wetted parts
Actuator	PVDF	
Tube	Silicon based rubber	○
End connector	PTFE	○

Dimensions



Base Plate (PVDF)



(Unit) : mm

		Standard	Size				
			6×4 6.35×4.35	10×8 9.53×6.35	12×10 12.70×9.53	19×16 19.05×15.88	25×22 25.40×22.20
A	Flowell 20 series	inch	107	140	148	172	194
		mm	105	137	145	172	194
	Flowell 60 series	inch	133	173	173	198	212
		mm	131	169	169	198	209
	Super Type Pillar Fitting	inch/mm	110	148	155	189	220
	Super 300 Type Pillar Fitting	inch/mm	109	145	153	182	216
Flare Type	inch	127	157	161	186	204	
Rc, FNPT	inch	81	111	111	142	156	
	B		□ 35	□ 45	□ 45	□ 55	□ 55
	C		96(MAX101)	116(MAX124)	116(MAX124)	141(MAX153.5)	151(MAX163.5)
	D		17	23	23	26	36
	E		41.5	52	52	61.5	71.5
	F		25	32	32	42	42
	G		64	74	74	85	85
	H		50	60	60	70	70
	I		35	45	45	55	55

※ reference value

- AVPV3
- AVPVM
- AVPVS
- AVSDV
- AVSDVM
- AVSDVT
- AVSAS
- AVMPV
- AVDIV
- AVVM
- AVHRL
- AVHRL-M
- AVHPRS
- AVBPR
- AVCFV
- HDV12R
- HDVM
- AVQDV
- AVBVX
- AVPJX
- AVSIV
- AVFCS2
- AVFCN
- OTHER