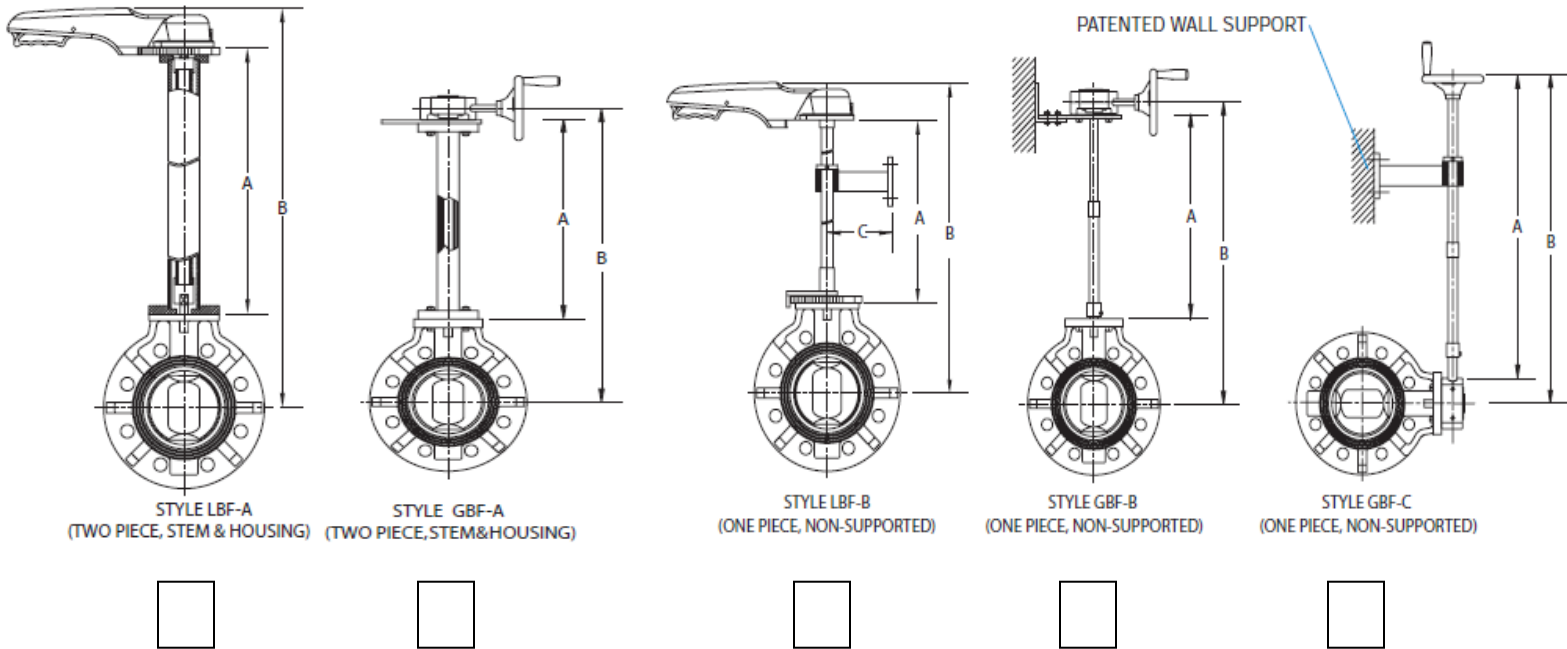


Butterfly Valve

STEM EXTENSION DATA SHEET

1. SO# _____ QTY: _____ Date: _____
2. Valve Size: _____ In. Butterfly Valves: Type-57 Pool-Pro/Type-56 Type-75
3. Extension Style (Refer to Diagram Below): LBF-A/GBF-A LBF-B/GBF-B GBF-C
4. Extension Length: _____ Ft _____ In. Dimension (Refer to Diagram Below): A B
5. Wall Support Length (Dimension C in Diagram): _____ Ft _____ In.
6. Top Valve Style: Lever Handle Gear Square Nut Actuator
7. Extension Stem Material: 316SS Carbon Steel
8. Outer Housing Material (Only select for style LBF-A/GBF-A): 316SS Carbon Steel PVC
9. Special Instructions: _____



All actuator extensions will be measured from the bottom of the actuator for Dimension A or B.