



Type A Pressure Relief Valve

Specifications	
Sizes:	1/2" - 2"
Materials:	PVC and PP
Models:	1) Threaded PVC 1/2" - 2" PP 1/2" - 1"
	2) Flanged PVC 1/2" - 2" PP 1/2" - 2"
Seals:	EPDM, FKM
Max.Line Pres:	PVC 110psi PP 85psi
Setting Range:	PVC 5 - 100psi PP 5 - 75psi

Standard Features (Sizes 1/2" - 2")

- Most extensive size range in the industry
- U-cup seals protect spring chamber while maintaining sensitive operation
- Designed for fewer flow restrictions and excellent flow capacity
- Repaired in line, easy maintenance
- Stainless steel adjustment feature provides convenient relief pressure setting in the field (Factory set at no additional charge)

Sample Specification

All pressure relief valves shall be of thermoplastic construction, (PVC or PP) and have no metal part that comes in contact with media. PVC shall conform to ASTM D1784 Cell Classification 12454A and PP conforming to ASTM D4101 Cell Classification PPO210B67272. PVC valves shall be rated to 110psi sizes 1/2" through 2". PP rated to 75psi sizes 1/2" through 2" at 70° F, as manufactured by Asahi/America, Inc.

Troubleshooting

What if valve does not open fully?

1. Not enough overpressure is being applied to valve. Reset.

What if valve does not seat fully?

1. Foreign particles may be caught between the seat and plug. Clean seat and plug area.
2. Plug and seat may be damaged or worn. Replace plug and seat.
3. Line pressure is not below set pressure. Check line pressure and reset.

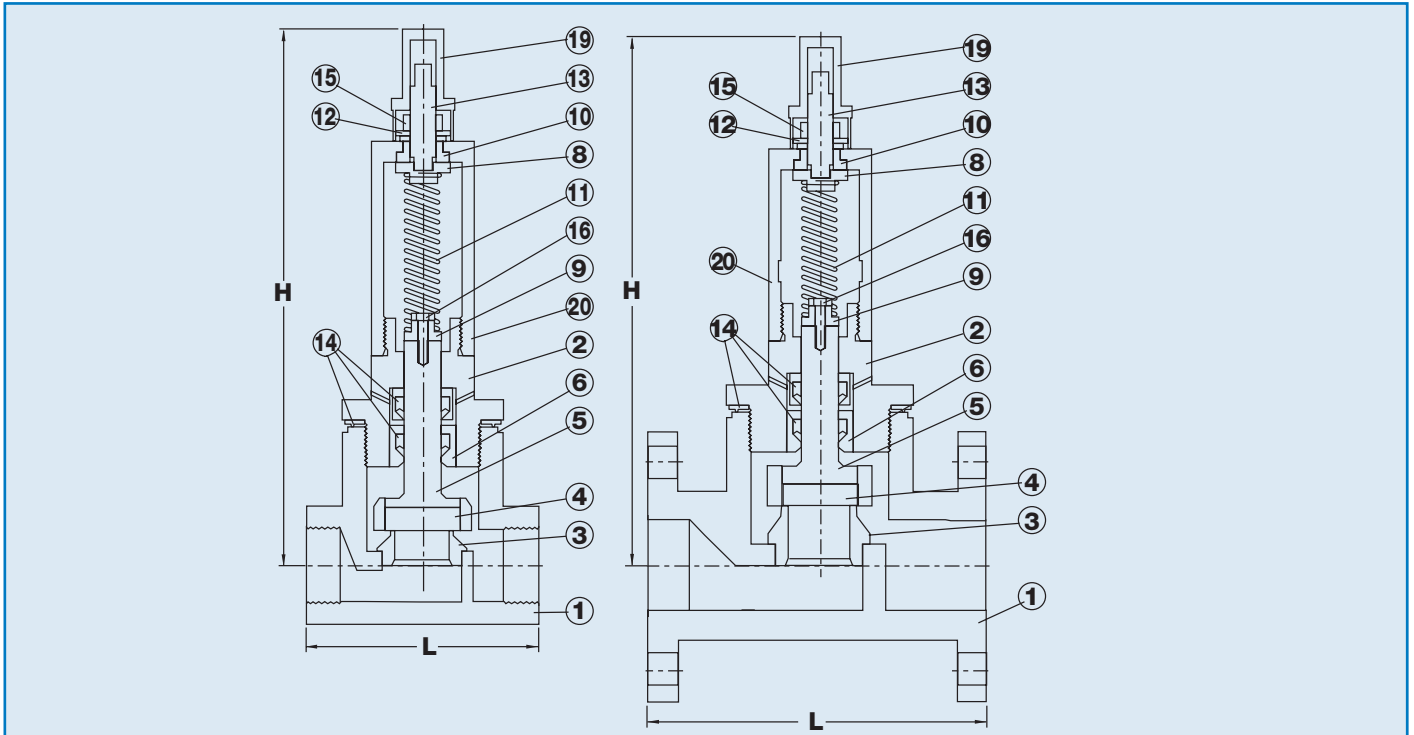
Parts List (Sizes 1/2" - 2")

PARTS		
NO.	DESCRIPTION	MATERIAL
1	Body	PVC, PP
2	Bonnet	PVC, PP
3	Seat	PVC, PP
4	Orifice Seal	EPDM, FKM
5	Piston	PVC, PP
6	Guide Bushing	PVC, PP
7	Bonnet Spacer	PVC, PP
8	Upper Spring Keeper	PVC, PP
9	Lower Spring Keeper	PVC, PP
10	Adjustment Screw Guide	300 SS
11	Spring	Stainless Steel
12	5/8 Washer	316 SS
13	Adjustment Screw	EPDM, FKM
14	Seal Kit	316 SS
15	5/8 Hex Nut	316 SS
16	1/4 Hex Screw	316 SS
17	5/16 Hex Screw	316 SS
18	Seat Spacer	316 SS
19	Cap	PVC, PP
20	Spring Housing	PVC, PP

Caution

- The valves are not safety devices and must not be substituted for code approved safety relief valves or rupture discs.
- Never remove valve from pipeline under pressure.
- Always wear protective gloves and goggles.

Type A Pressure Relief Valves



Dimensions (Thrd 1/2" - 2")

NOMINAL SIZE		L	H
INCHES	mm		
1/2	15	3.36	9.30
3/4	20	3.74	9.40
1	25	4.33	9.40
1-1/2	40	5.51	12.70
2	50	7.09	13.00

Dimensions (Flange 1/2" - 2")

NOMINAL SIZE		L	H
INCHES	mm		
1/2	15	3.36	9.30
3/4	20	3.74	9.40
1	25	4.33	9.40
1-1/2	40	7.48	12.70
2	50	7.87	13.00

Ordering Information

Step 1. Determine Set Pressure

(110 psi: Max. pres. rating for PVC valve)
(85 psi: Max. pres. rating for PP valve)

1. Max. allowable working pressure (MAWP¹) for system _____ psi:
2. Overpressure² _____ psi:
3. Set pressure (normally 15psi over operating pressure) _____ psi:
4. Normal operating pressure _____ psi:
 - ¹ MAWP: Max. safe system pressure
 - ² Overpressure: Amount of additional pressure required for disc to attain full lift, and, therefore, full flow capacity. The Asahi/America design attains full lift at 25 percent overpressure.

Step 2. Service Conditions

1. Media: _____ % Concentration: _____
Temp: ____ (°F or °C)
2. Ambient Temperature: _____ (°F or °C)
3. Pipe Size: _____ Material: _____
4. Body Material: PVC ____ Polypropylene ____
5. End Connections: NPT Threaded _____
150# ANSI Flat Faced Flanges _____
6. Downstream Pressure: _____ psi
7. Flow Rate (gpm): Normal _____ or Cv
Required _____ Max _____ Mini _____

Pressure vs. Temperature (psi)

NOMINAL SIZE		PVC			PP		
		30° F 70° F	71° F 105° F	106° F 120° F	- 5° F 70° F	71° F 140° F	141° F 175° F
INCHES	mm						
1/2 -1-1/2	15-40	110	75	75	85	65	45
2	50	110	75	65	85	50	30